



MAXIFLEX 24Vdc Logic Power Supply Module

Model M1102A – 24Vdc Logic Power Module.

DATASHEET



FEATURES

- Operate MAXIFLEX systems from 24Vdc
- Fits in PSU Slot of MAXIFLEX Base
- Wide input operating range.
- Power Supply Monitoring for reliable system operation
- CE certified for international application.
- Logic Supply Healthy indication

The M1102A Power Supply Module is powered from an external +24Vdc (nominal) supply, and provides the primary logic power for a MAXIFLEX I/O Base.

This power supply module operates over a wide input voltage range of 20-36Vdc, allowing Maxiflex systems to

be operated on 24Volt battery systems.

All connections to the module are made via screw terminals located behind the door on the front of the module. These terminals are removable for easy module replacement.

SPECIFICATIONS

DC Input

Power Source	20-36Vdc 50Watts max.
Protection	5A Fuse (Slow Blow)

Logic Supply Outputs

+5V Logic Supply	5.1V $\pm 2\%$ 5A maximum
+12V Logic Supply	12V $\pm 15\%$ 2A maximum

Isolation

Input to Logic	2.5kVrms for 60 seconds
Input to Earth	0.5kVrms for 60 seconds

Front Panel Indication

POWER (Green)	On = Logic Supplies Healthy
SHUTDOWN (Red)	On = Power Supply has shut down

Input/Output Terminations

Terminal Type	Screw clamp Plug-in Terminal Blocks
Wire Size	2.5mm ² maximum For manageable wiring to the module, 1.0 mm ² is recommended

Electromagnetic Compatibility

Impulse Withstand Test

Between positive and negative input terminals	4kV; 1.2us/50us test pulses
Between either input terminal and earth	1kV; 1.2us/50us test pulses

Impulse withstand Test

Across Inputs	4kV noise bursts between inputs in accordance with IEC801-4, class IV.
---------------	--

Environmental and Safety

Operating Temperature	-25°C to +60°C (-13°F to +140°F)
-----------------------	----------------------------------

Storage Temperature	-40°C to +70°C (-40°F to +158°F)
Humidity	95% max. at 40°C (104°F) non-condensing.
Environmental Protection	Electronics conformally coated

Compliance to Standards

Safety	Conforms to IEC950; EN60950
Emissions	EN55011 and EN50081-2:1994 Group 1, Class A

Mass

Excluding Packaging	454g (16oz)
Including Packaging	544g (19oz)

Ordering Information

Model Name	Order Code
Maxiflex 24DC L PSU	M1102A

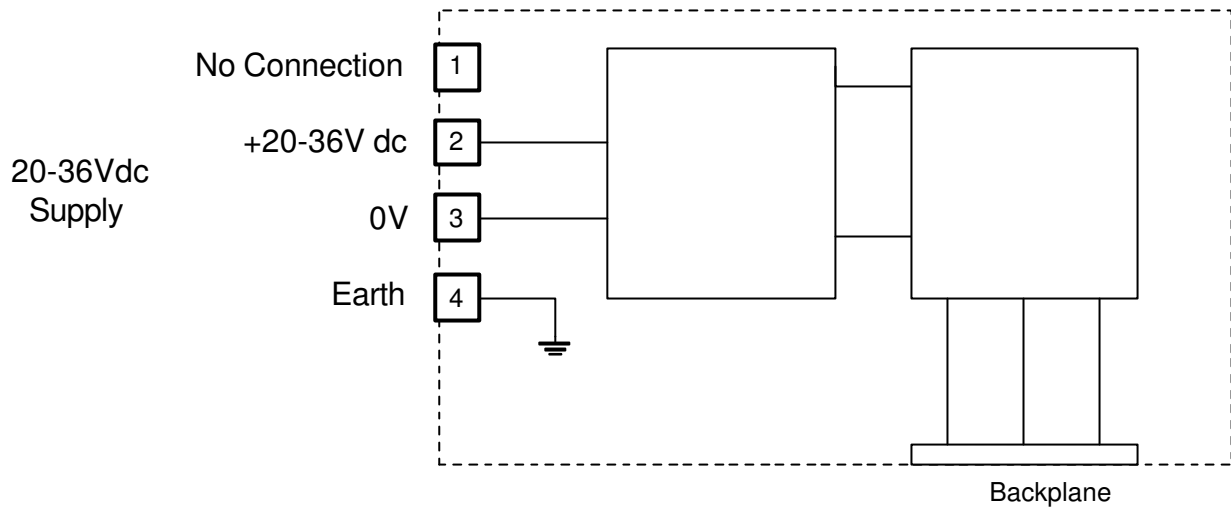




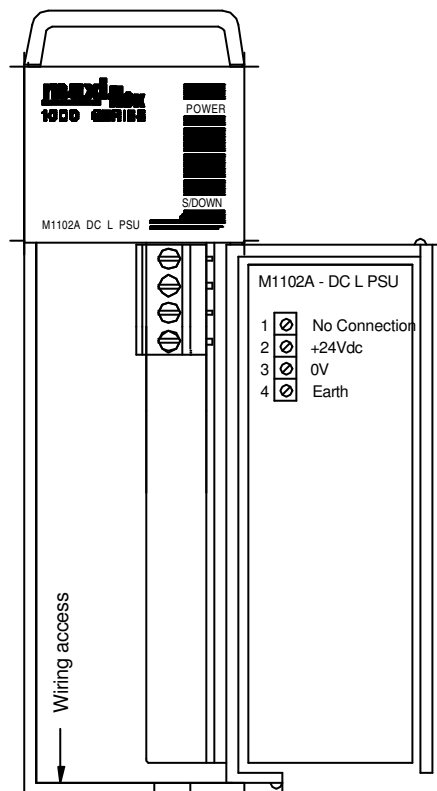
MAXIFLEX 24Vdc Logic Power Supply Module

Model M1102A – 24Vdc Logic Power Module.

ELECTRICAL CONNECTIONS



MECHANICAL ARRANGEMENT



Note: The LED indicators can only be seen when illuminated.

