



Features

- Small , compact, panel mounted and easy to use
- 8 Potential Free Contact Inputs
- Normally Open/Closed Selectable via DIP switch
- 24Vdc Powered
- 27 Standard Sequences
- Choice of Lamp/Sidebar LED/Backlit LED Display
- User printed legends on inkjet/laser printer
- Four function Group Alarm output contact
- Motor Alarm Sequence and Timer options
- Optional internal repeat relay outputs
- Fully "DIP" Switch Configurable
- Optional Serial Port - Modbus/PLC compatible



The Omni-8c annunciator is the compact replacement to the Omni-8a and b series annunciators with one product offering the option of incandescent lamps, backlit LED or Sidebar LED indicator windows. Omniflex has completely re-designed the Omni8C with new technology to compliment PLC's in applications where alarm annunciation is required using serial communications. Omni8C is a panel mounted annunciator occupying half the space of the previous model. Install the optional integral Test, Silence, Acknowledge, Reset Pushbuttons sacrificing one alarm window or use an externally wired pushbutton station.

The 8 inputs accept potential free inputs and are

individually DIP switch configured for N.O. or N.C. operation. Inputs are wired to plug-in terminals at the rear of the annunciator. The alarm sequence for the 16 inputs is also configured by DIP switch with a choice of 27 standard sequences. Four output relays can be configured as group alarm, horn output and watchdog with a change over contact at the terminals. The group alarm can be set to one of four functions, Follows input, follows alarm, Multiple reflash, Ringback horn. Input 8 may be designated via DIP switch as an Inhibit input which disables all the inputs on the annunciator during maintenance activities.

SPECIFICATIONS

Power Supply Options

Voltage Option	24Vdc (STD)	20-60Vdc**	85-264Vac**
Isolation PSU to inputs	None	1500Vrms	1500Vrms

** To be ordered as an option see accessories list Fitted prior to shipment

Max dc Ripple	10% pk. to pk.	10% pk. to pk.	N/A
Consumption			
C1490B	0.5 Amp max	0.6-0.4 Amps	0.6-0.3A
C1491B	0.5 Amp max	0.6-0.4 Amps	0.6-0.3A
C1492B	1 Amps max	1.2-0.4Amps	0.7-0.3A

Alarm Inputs - Potential Free Contact

Input Board Option	C149X-0	C149X-1
Input Type	Common +ve **	Common -ve
	** Standard Option	Order
Quantity and Type	8 Potential Free Contacts	
Max. Open cct Voltage	28Vdc	
Max. Closed cct Current	5mA per input circuit	
Max. Loop Resistance to detect closed contact	200 ohms	
Min. Loop Resistance to detect open contact	100 kohms	

Alarm Inputs - Individually Isolated

Input Board Option	C149X-2	C149X-3
Input Voltage range	19 to 60Vdc	90-150Vdc/ac rms
Isolation Input to Logic	1500V ac rms	1500V ac rms
Isolation Input to Input	500V ac rms	500V ac rms
Quantity and Type	16 dc or ac inputs	
Compliance to standards		
Safety	IEC950	
EMC	EN50081-2; EN50082-2	
Compliance to CEGB EES 1988 and Eskom NWS1819 specifications		

Inputs General

Input Scan Rate	4 milliseconds
Wire size	1.5mm ² (17SWG/15.5SWG) max.
Connections	Via plug-in Terminals

Integral Pushbuttons

Quantity	Four buttons mounted on front facia
Functions	Silence; Acknowledge; Reset; Circuit Test

Alarm Window Display

Quantity	8 Alarm windows
----------	-----------------



Model	C1490	C1491	C1492
Type	Backlit LED	Side bar LED	Incandescent Lamp
Window Size	24mmx64mm	21mmx51mm	24mmx64mm
Legend Area	21mmx60mm	20mmx40mm	21mmx60mm
Legend Type	User printed on film with laser/inkjet using software provided.	Engraved plastic window	User printed on film with laser/inkjet using software provided.

Relay Contact Outputs

Contact Type	2 Potential free changeover (Form C) 2 Potential free normally Open (Form A)
Contact Rating	2A 30Vdc or 0.5A 230Vac
Isolation	1000Vac from contact to other circuits

Temperature Range

Operating Temperature	0°C – 60 °C (+32°F – 140°F)
Storage Temperature	-10°C – 70 °C (+14°F – 158°F)

Weight

Unpacked	1.6kg approx.
Packed	1.8kg approx.

Compliance to Standards

Safety	EN 60950:1995
Emissions	EN55011 & EN50081-2:1994 Grp I Class A
Immunity – ESD	IEC 61000-4-2:1995, level 3
Immunity – RF Fields	IEC 61000-4-3:1995, level 3

Immunity – Fast Transients	IEC 61000-4-4:1995 2 kV – DC power port 1 kV – input/output lines
Supply Variations	IEC 61000-4-7:1991, 24 V dc +15% -10%
Vibration	IEC60068-2-6: 1995 10-150Hz. 1g

Sequence Options

Seq. No.	Sequence Description
1	LAMP FOLLOWS INPUT
2	MOMENTARY (FLEETING) ALARM, MANUAL RESET
3	ALARM ONLY (NON-LATCHING INPUTS) AUTO RESET
4	MOMENTARY ALARM, MANUAL RESET WITH ALARM RINGBACK
5	FIRST OUT, MULTIPLE GROUPS, MANUAL RESET
6	FIRST OUT, MANUAL RESET, AUTO RESET ON SUBSEQUENT ALARMS
7	FIRST OUT, SINGLE GROUP, MANUAL RESET, FIRST OUT CONTINUOUS FLASH
8	FIRST OUT, MANUAL RESET, SUBSEQUENT ALARMS WITHOUT HORN
9	MOMENTARY ALARM, MANUAL RESET, AUTO SILENCE AFTER TIME DELAY.
10	MOMENTARY ALARM, MANUAL RESET, REALARM AFTER TIME IF STILL ABNORMAL.
11	MOMENTARY ALARM, MANUAL RESET, CONSTANT FLASH (FOR MOTOR ALARMS).
12	MOMENTARY ALARM, AUTO RESET, TIME DELAY ON RETURN TO NORMAL.
13	PULSE MONITORING ALARM; MANUAL RESET
18	MOMENTARY ALARM, AUTO RESET
21	FIRST OUT, MULTIPLE GROUPS, AUTO RESET
23	FIRST OUT, SINGLE GROUP, AUTO RESET, FIRST OUT CONTINUOUS FLASH
24	FIRST OUT, AUTO RESET, SUBSEQUENT ALARMS WITHOUT HORN
25	MOMENTARY ALARM, AUTO RESET, AUTO SILENCE AFTER TIME DELAY.
26	MOMENTARY ALARM, AUTO RESET, REALARM AFTER TIME IF STILL ABNORMAL.
27	MOMENTARY ALARM, AUTO RESET, CONSTANT FLASH (FOR MOTOR ALARMS)
28	PULSE MONITORING ALARM; AUTO RESET
30	SERIAL PORT READ ONLY MODE
31	SERIAL PORT READ/WRITE MODE

ORDERING INFORMATION

ORDER CODE	DESCRIPTION
C1490B-x	LED Backlit Alarm Annunciator; 24Vdc (Order LED boards separately)
C1491B-x	Sidebar LED Annunciator; 24Vdc
C1492B-x	Incandescent Lamp Annunciator; 24Vdc
x=	0 (default) 1 2 3
	+ve Com -ve Com 19-60Vdc iso 90-150Vdc iso

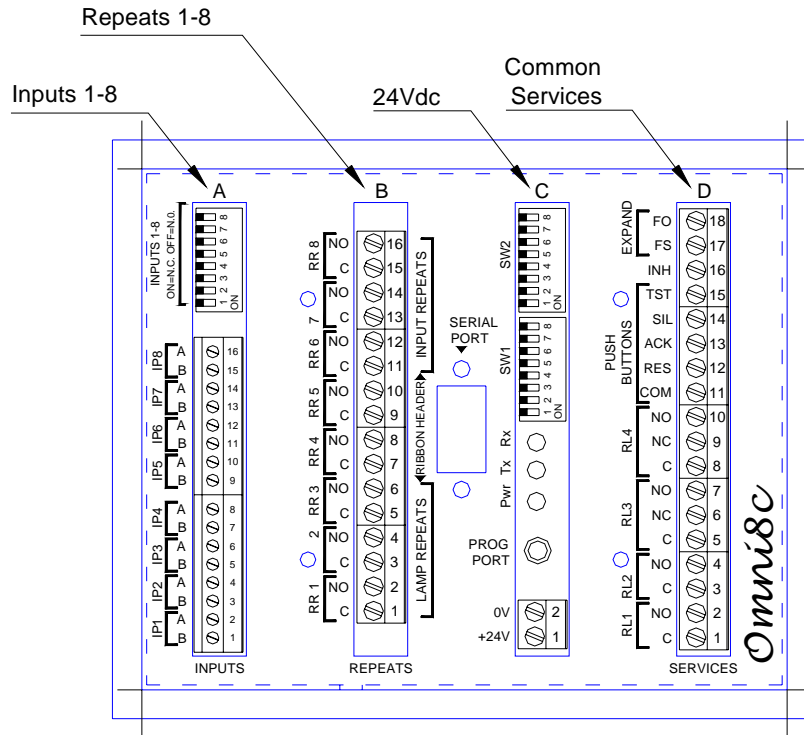
Accessories *To be ordered separately. Will be fitted before delivery.*

PSU Option – fitted into the Omni8C Housing.	
C1421	85-264Vac/dc Isolated Power Supply
C1422	30-60Vdc Isolated Power Supply
Serial Communications Option (Modbus)	
C1423	Isolated RS232/485 Serial Port
Repeat Outputs	
C1425	8 way Input Repeat Relay Board
C1426	16 way Ribbon-Header Repeat Output Board (Input and Lamp Repeats)
C1169	16 Way Repeat Lamp Driver Terminals
Pushbutton Stations	
C1420	Integral Pushbutton Station – (in window 16)
C1415	Remote Pushbutton Station with Audible
Window and Lamp Board Options	
Backlit LED	
C1150	Red Backlit LED Lamp Board
C1151	Yellow Backlit LED Lamp Board
C1152	Green Backlit LED Lamp Board
C1153	Blue Backlit LED Lamp Board
C1154	Orange Backlit LED Lamp Board

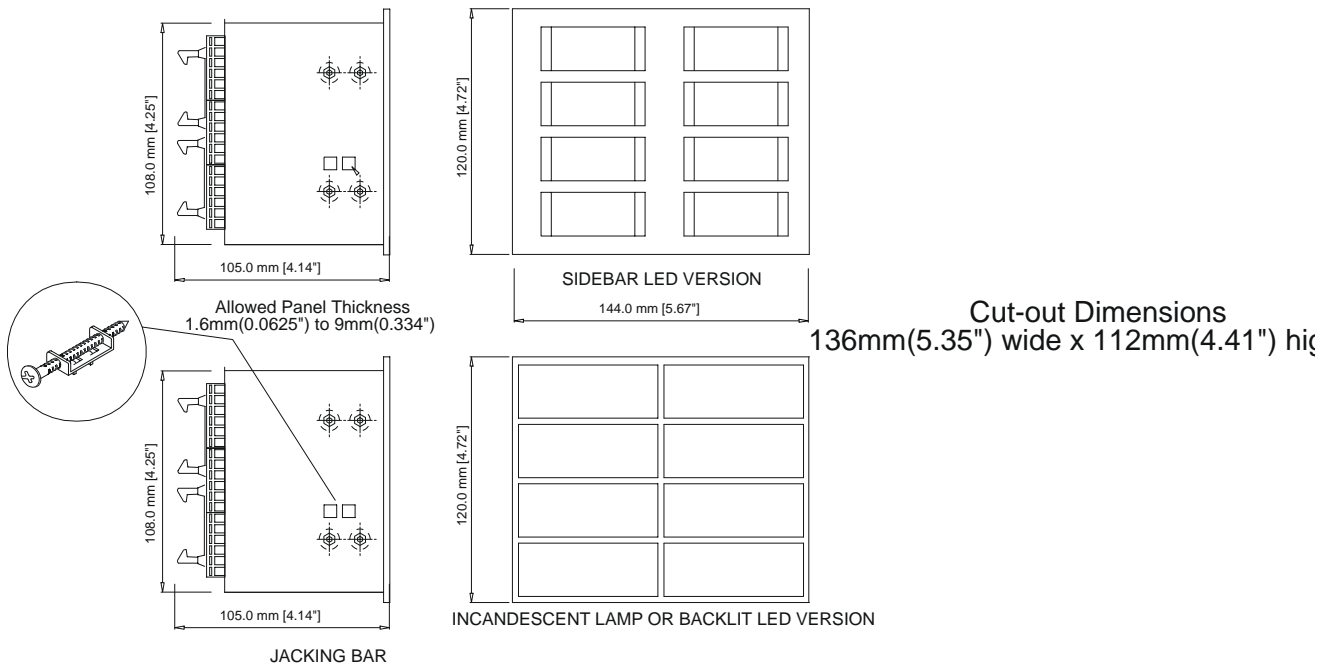
C1155	White Backlit LED Lamp Board
Incandescent	
C1160	Lamp and Holder 8 Window Pack
C1161	Incand. Lamp replacement 10 pack
C1162	Incand. Lamp replacements 100 pack
C1463	Assorted Colour Filter Kit
Sidebar LED	
C1448-1	Black engravable window
C1448-2	Red engravable window
C1448-3	Amber engravable window
C1448-4	Yellow engravable window
C1448-5	Green engravable window
C1448-6	Blue engravable window
C1448-7	White engravable window
C1446	Engraving for Sidebar Led Windows
Mounting Hardware	
C1431-01	Mounting Kit 2 High Stack
C1431-02	Mounting Kit 3 High Stack
C1431-03	Mounting Kit 4 High Stack
Interface Accessories	
C1168	OmniSet Programming cable for Prog Port
C1416	Ribbon Header to terminals converter
C6308	Ribbon to 16 Relays Form C 5A



ELECTRICAL CONNECTION



MECHANICAL CONFIGURATION





ELECTRICAL CONNECTION DIAGRAM

