



Omni16 Remote Pushbutton Station

Model C1415A Omni16 Remote Pushbutton Station

DATASHEET

- Omni16 Compatible Control Station
- Four Pushbuttons:
Silence
Acknowledge
Reset
Test
- Audible Warning Device
- Panel Mounted (Vertically or Horizontally)
- Mount in the same panel cut-out as Omni16



OVERVIEW

The Omni16 Remote Pushbutton Station is designed to compliment the OMNI16 annunciator family, providing an easy method of adding the operator controls to the annunciator system. It mounts in the same height panel cut-out. It is intended to be used with a single or multiple Omni16's providing a single control station.

It is a compact panel mount unit containing four pushbuttons with the following designations screened to the fascia: Silence, Acknowledge, Reset and Test.

An audible warning device is also fitted into the station. All connections to the unit are via level clamp terminals at the rear of the station.

SPECIFICATIONS

General

DIMENSIONS

Overall	48mm wide x 120mm high x 57mm deep (1.89" x 4.73" x 2.24")
Face-plate	48mm wide x 120mm high (1.89" x 4.72")
Cut-out	42mm wide x 112mm high (1.65" x 4.41")

AUDIBLE WARNING DEVICE

Type	Piezo electric
Voltage	2-28V DC
Output	93dB at 1m (at 24Vdc)

Pushbuttons

Contact Rating	0.4VA max @ 20V AC or DC
Electrical Life	60 000 actuations at full load

Connections

Type	Lever "Cage" Clamp
Wire size	0.2 mm ² min 2.5 mm ² max. 1.5 mm ² max. recommended

Ordering Information

ORDER CODE	DESCRIPTION
C1415A	Omni16 Remote Pushbutton Station

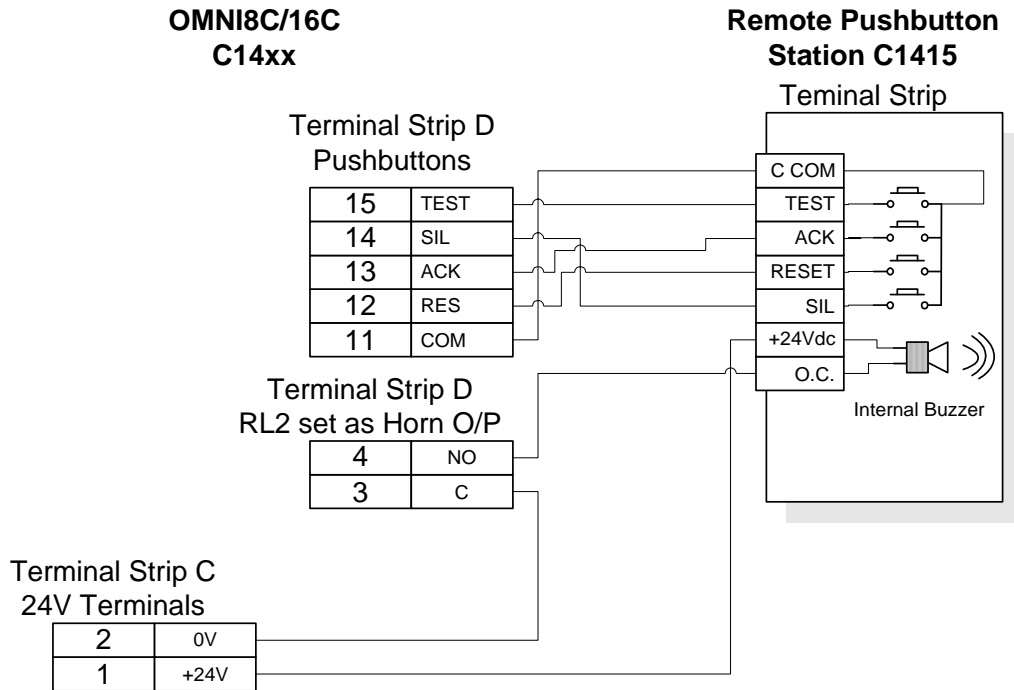




Omni16 Remote Pushbutton Station

Model C1415A Omni16 Remote Pushbutton Station

Electrical Connections



Mechanical Details

