

THE INFORMATION CONTAINED HEREIN IS CONSIDERED "PROPRIETARY" TO BEL FUSE INC. AND SHALL NOT BE COPIED, REPRODUCED OR DISCLOSED WITHOUT THE WRITTEN APPROVAL OF BEL FUSE INC.



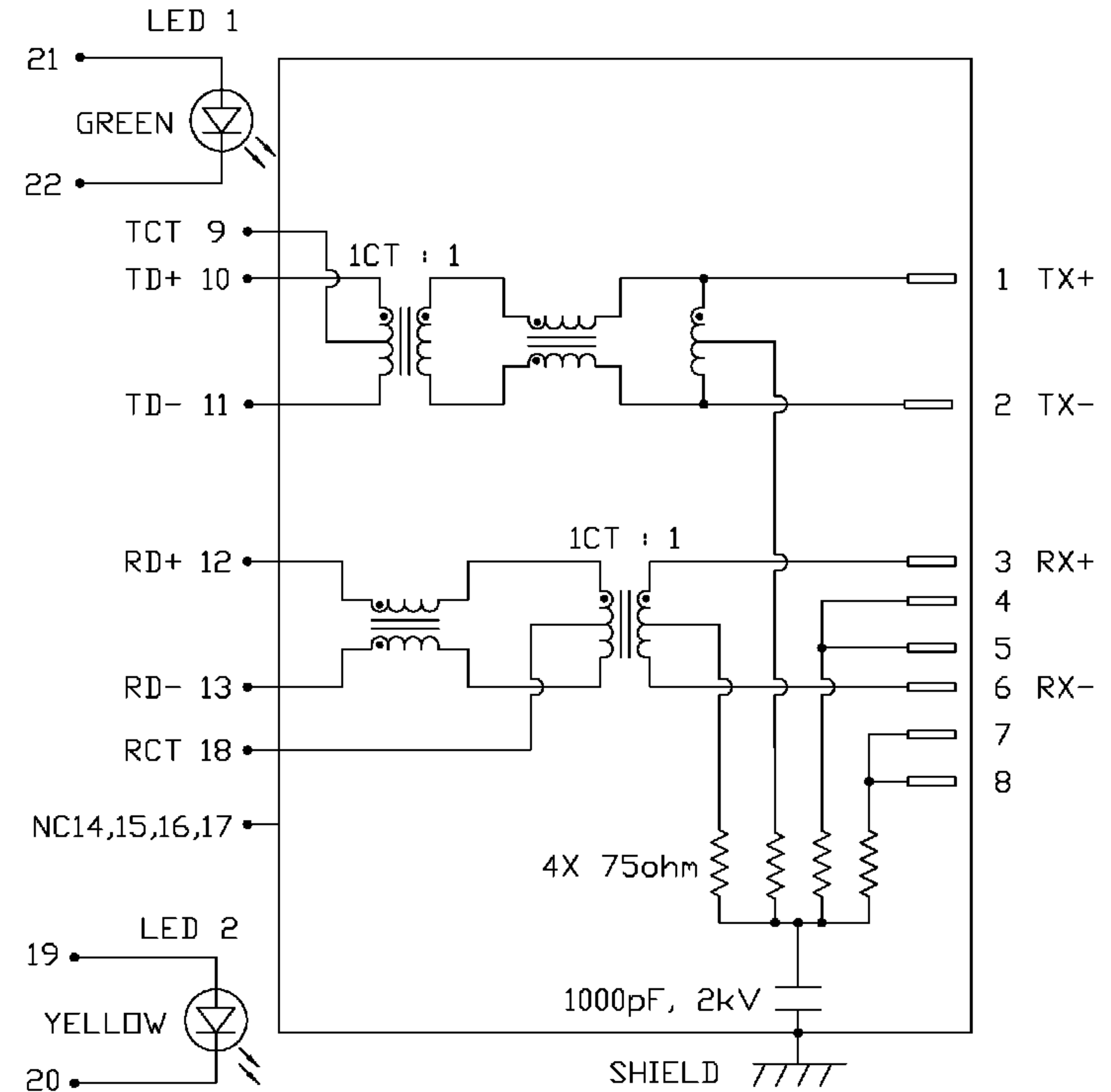
LED1 POLARITY			LED2 POLARITY		
PIN 21	PIN 22	COLOR	PIN 19	PIN 20	COLOR
+	-	GREEN	+	-	YELLOW

PRELIMINARY

SCHEMATIC

ELECTRICAL CHARACTERISTICS @ 25°C

TURNS RATIO  
 TX 1CT : 1  
 RX 1CT : 1  
 OCL @ 100kHz/100mVRMS  
 8mA DC BIAS 350µH MIN.  
 INS. LOSS  
 1MHz TO 100MHz -1.0 dB MAX  
 RET. LOSS (MIN)  
 1MHz-30MHz -18 dB  
 30MHz-60MHz -18+20LOG(F/30MHz) dB  
 60MHz-80MHz -12 dB  
 CROSS TALK (TX - RX)  
 100kHz-100MHz -35 dB MIN  
 CM TO CM REJ  
 100kHz-100MHz -30 dB MIN  
 CM TO DM REJ  
 100kHz-100MHz -35 dB MIN  
 HIPOT (Isolation Voltage):  
 LED 1 1500 Vrms or 2250VDC  
 VF (FORWARD VOLTAGE) IF=20mA GREEN 2.2V TYP.  
 λD (DOMINANT WAVELENGTH) IF=20mA GREEN 565nm TYP.  
 LED 2  
 VF (FORWARD VOLTAGE) IF=20mA YELLOW 2.1V TYP.  
 λD (DOMINANT WAVELENGTH) IF=20mA YELLOW 590nm TYP.  
 USB ELECTRICAL:  
 INSULATION RESISTANCE: 1000 MEGA W (MIN)  
 CONTACT RESISTANCE: 25 MILLI W (MAX)  
 DIELECTRIC WITHSTANDING: 750 VAC



ORIGINATED BY CHUNG	DATE 04-18-06	TITLE MagJack® Combo (staggered pin) C892-1DX1-60-F	PART NO. / DRAWING NO. C8921DX160-F	STANDARD DIM. TOL. IN INCH .X .XX .XXX	[ ] METRIC DIM. AS REFERENCE UNIT : INCH [mm] SCALE : N/A	REV. : PB SIZE : A4 PAGE : 2	
DRAWN BY DE	DATE 04-18-06	FILE NAME C8921DX160-FPB.DWG					

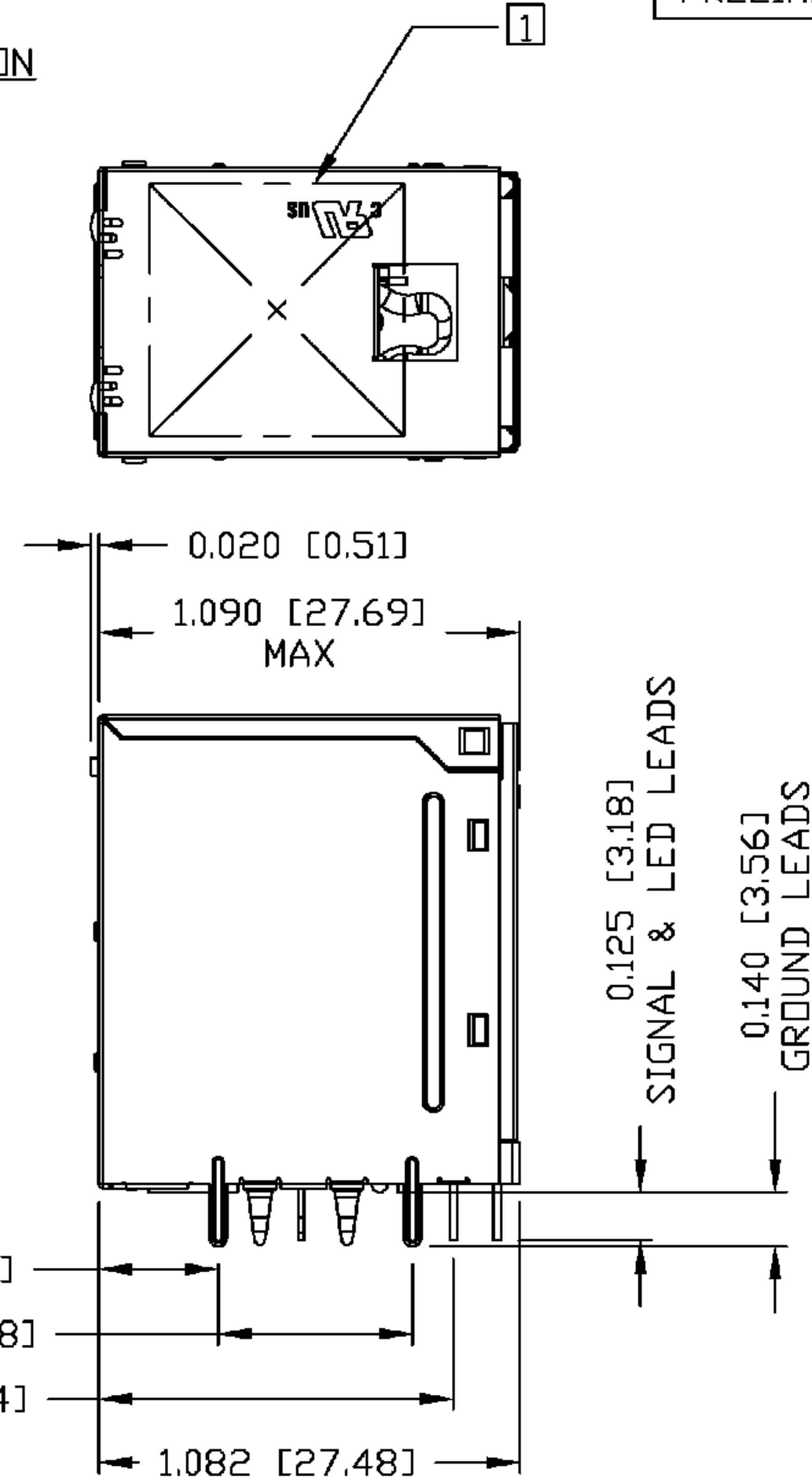
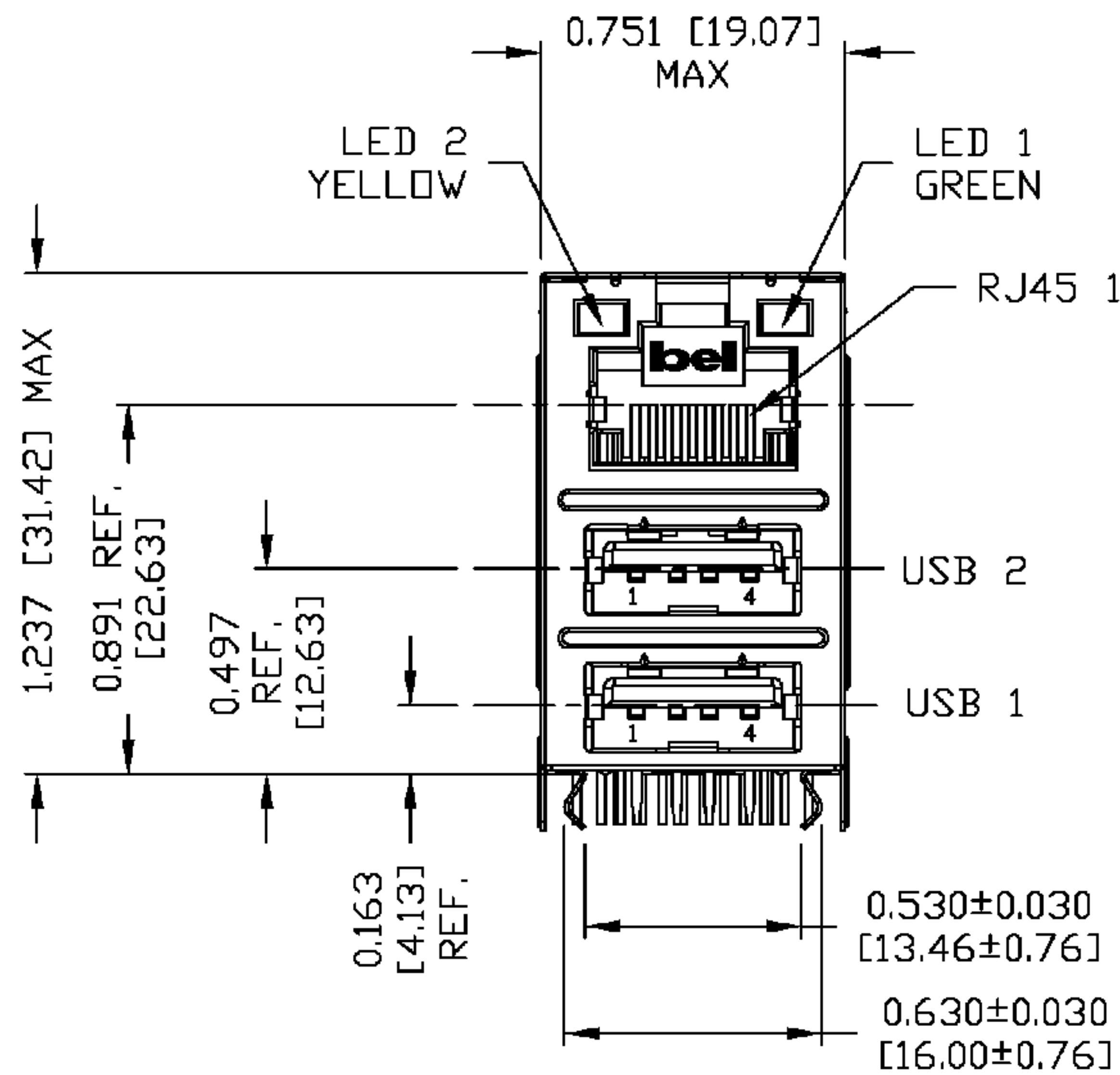
THE INFORMATION CONTAINED HEREIN IS CONSIDERED "PROPRIETARY" TO BEL FUSE INC. AND SHALL NOT BE COPIED, REPRODUCED OR DISCLOSED WITHOUT THE WRITTEN APPROVAL OF BEL FUSE INC.

RoHS  
2002/95/EC



PRELIMINARY

MECHANICAL SPECIFICATION



ORIGINATED BY	DATE	TITLE	PART NO. / DRAWING NO.	STANDARD DIM. TOL. IN INCH	[ ] METRIC DIM. AS REFERENCE
QIN	04-18-06	MagJack® Combo (staggered pin) C892-1DX1-60-F	C8921DX160-F	.X	UNIT : INCH [mm] REV. : PB
DRAWN BY	DATE		FILE NAME	.XX	SCALE : N/A SIZE : A4
TING	04-18-06		C8921DX160-FPB.DWG	.XXX ±0.010	PAGE : 3



THE INFORMATION CONTAINED HEREIN IS CONSIDERED "PROPRIETARY" TO BEL FUSE INC. AND SHALL NOT BE COPIED, REPRODUCED OR DISCLOSED WITHOUT THE WRITTEN APPROVAL OF BEL FUSE INC.

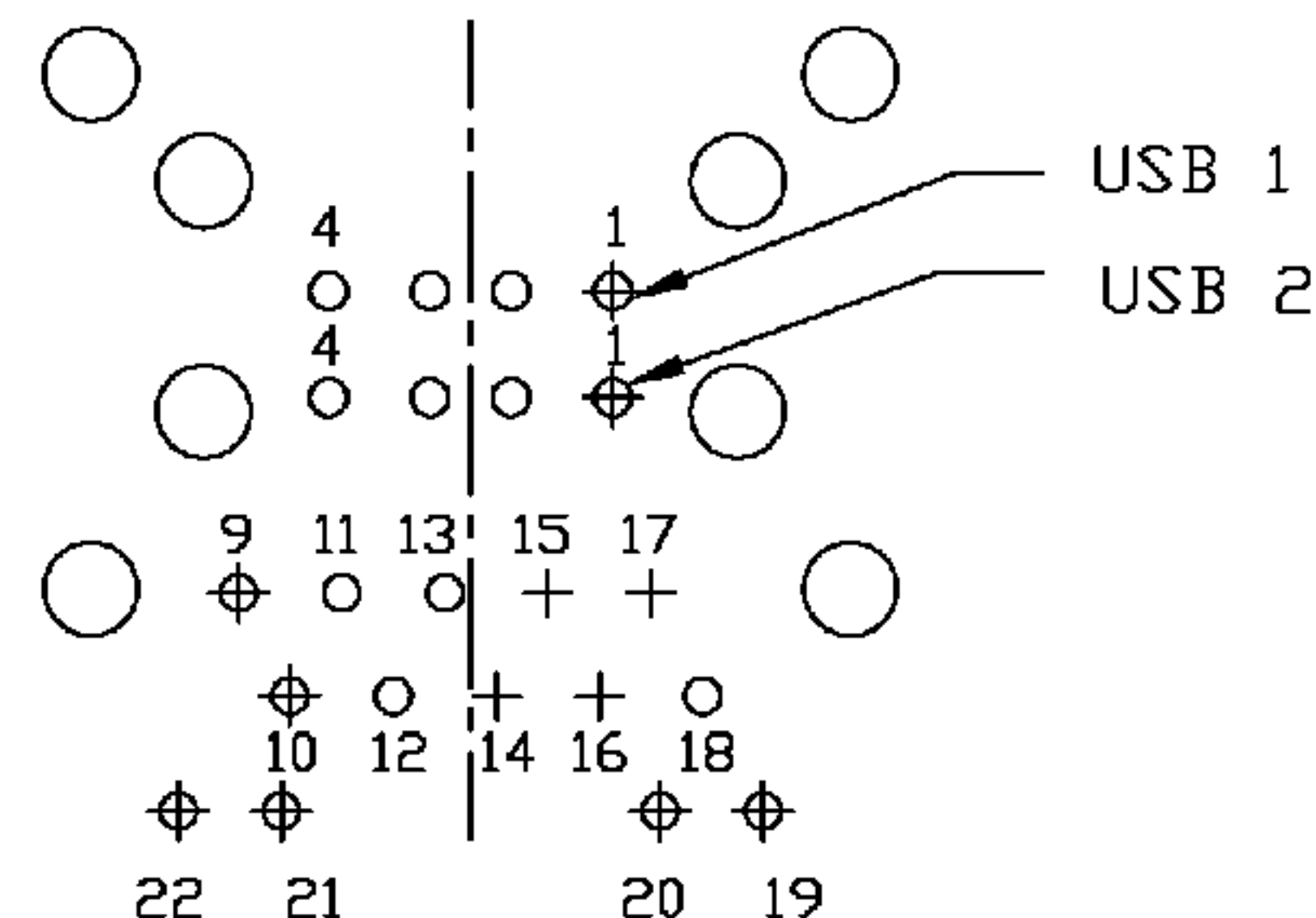
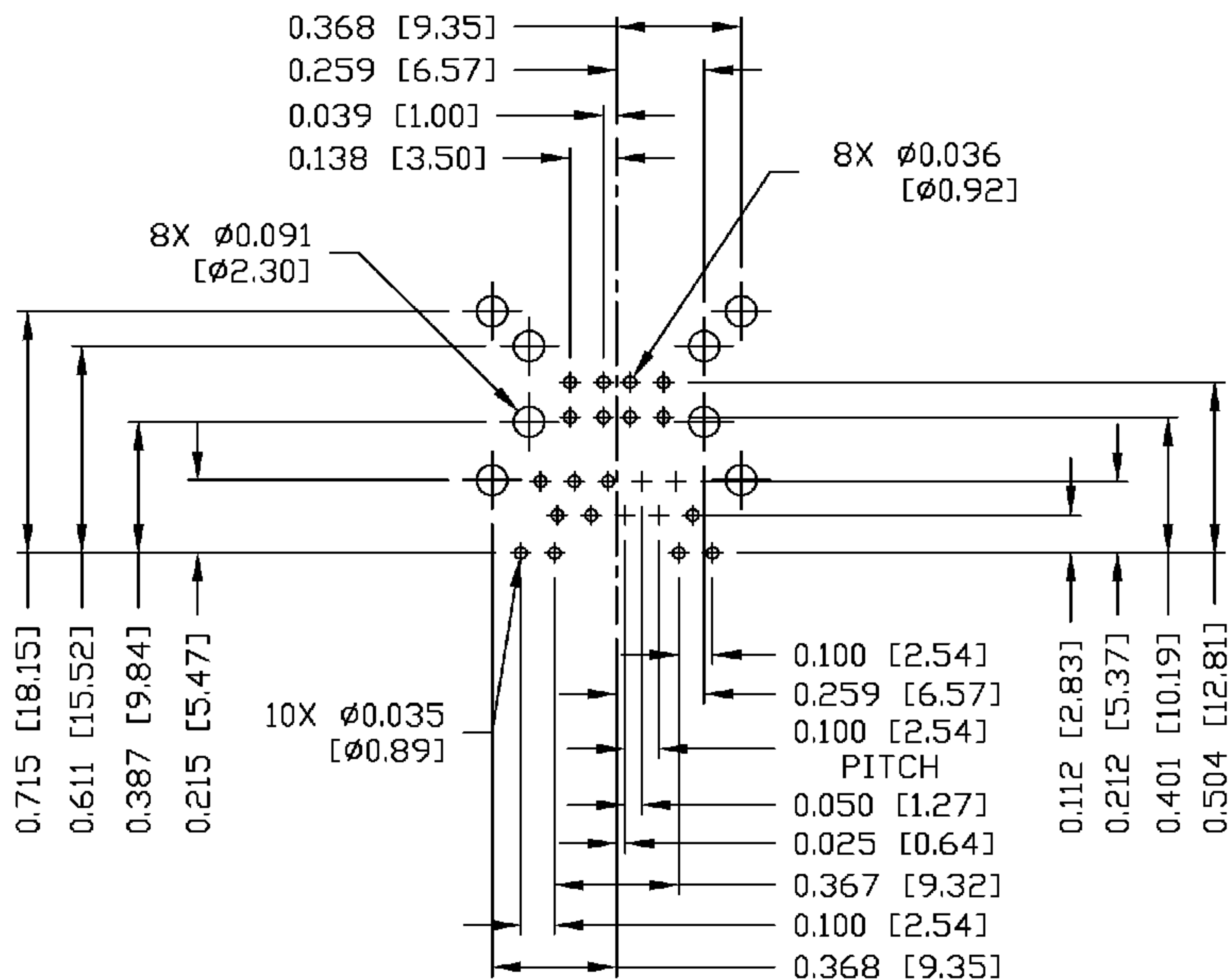
RoHS  
2002/95/EC



PRELIMINARY

Recommended PCB footprint  
Component Side

PIN ASSIGNMENT



RJ45 MECHANICAL:

PLASTIC HOUSING:

CONTACTS PLATING:

PINS:

METAL SHIELD:

USB MECHANICAL:

MATING FORCE:

UNMATING FORCE:

CONTACTS PLATING:

[1] MARK PART WITH MFG LOGO, MFG NAME, PART NUMBER, AND DATE CODE.

**UL** US UL RECOGNIZED - FILE #E196366 AND E169987.

RoHS COMPLIANCE, PER EU DIRECTIVE 2002/95/EC

JACK CAVITY CONFORMS TO FCC RULES AND REGULATIONS.

SCALE 1.5:1

THERMOPLASTIC PBT

FLAMMABILITY RATING UL 94V-0

30 MICRO-INCH HARD GOLD PLATING

TIN-COATED COPPER WIRE, DIA 0.018 INCH.

NICKEL PLATED ON COPPER ALLOY.

(ALL GROUND LEADS ARE SOLDER DIPPED)

35 NEWTONS MAXIMUM

10 NEWTONS MINIMUM

PROSPER BRONZE, GOLD PLATING ON CONTACT AREA AND TIN ON SOLDER TAIL.

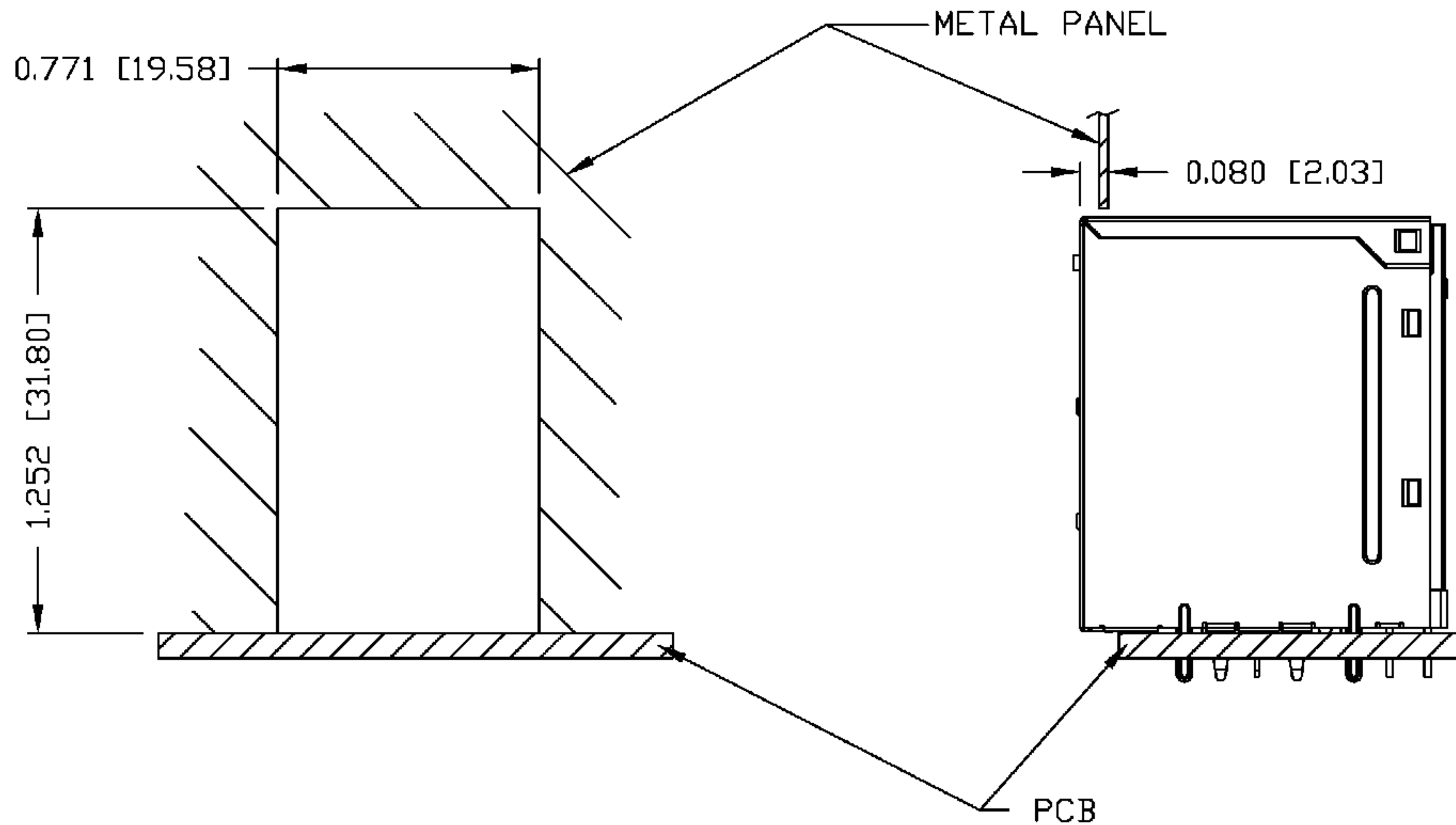
ORIGINATED BY	DATE	TITLE	PART NO. / DRAWING NO.	STANDARD DIM.	[ ] METRIC DIM. AS REFERENCE	
QIN	04-18-06	MagJack® Combo (staggered pin)	C8921DX160-F	TOL. IN INCH	UNIT : INCH [mm]	REV. : PB
DRAWN BY	DATE		FILE NAME	.X	SCALE : N/A	SIZE : A4
TING	04-18-06		C8921DX160-FPB.DWG	.XX		PAGE : 4
				.XXX	±0.004	



THE INFORMATION CONTAINED HEREIN IS CONSIDERED "PROPRIETARY" TO BEL FUSE INC. AND SHALL NOT BE COPIED, REPRODUCED OR DISCLOSED WITHOUT THE WRITTEN APPROVAL OF BEL FUSE INC.

SUGGESTED PANEL OPENING

PRELIMINARY



**NOTE:**  
 THE DISTANCE OF PANEL INSIDE SURFACE RELATIVE TO FRONT SURFACE OF PART IS ONLY A SUGGESTION. IN CASE THIS DISTANCE IS DIFFERENT, THE REQUIRED PANEL OPENING DIMENSIONS CHANGE ACCORDINGLY.

PACKING INFORMATION

PACKING TRAY : 0200-9999-H3 (TOP)  
 0200-9999-H4 (BOTTOM)

PACKING QUANTITY : 35 PCS FINISHED GOODS PER TRAY  
 9 TRAYS (315 PCS FINISHED GOODS) PER CARTON BOX

NOTE : CARDBOARDS ARE PLACED BETWEEN LAYERS OF PACKING TRAY INSIDE CARTON BOX  
 (INCLUDE THE UPPERMOST AND LOWERMOST TRAY)

ORIGINATED BY QIN	DATE 04-18-06	TITLE MagJack® Combo (staggered pin) C892-1DX1-60-F	PART NO. / DRAWING NO. C8921DX160-F		STANDARD DIM. TOL. IN INCH		[ ] METRIC DIM. AS REFERENCE		 COMPONENTS FOR A CONNECTED PLANET
			FILE NAME C8921DX160-FPB.DWG		.X		UNIT : INCH [mm]	REV. : PB	
DRAWN BY TING	DATE 04-18-06			.XX		SCALE : N/A	SIZE : A4		
				.XXX	±0.004		PAGE : 5		