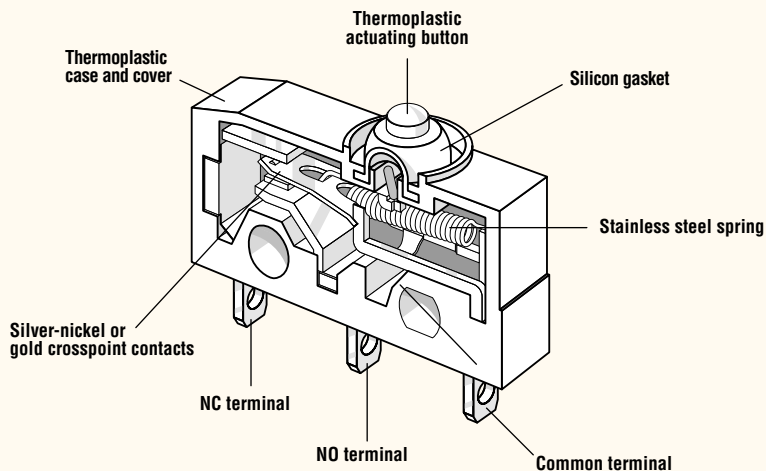


SUBMINIATURE — SEALED

# DCJK Series

## Features

- Enclosed switch complying with IP 6K7
- Silicon-free version available
- Models available for operating temperatures up to 120°C
- Rated for currents up to 10 amp at 250VAC
- Range of auxiliary actuators available (can also be retrofitted); two mounting positions
- Wide variety of terminal types; 3 pedestal heights
- High contact stability thanks to selection of application-specific contact materials
- Mechanical life: min.  $2 \times 10^6$  operations



## Specifications

### Electrical

Temperature Rating: -40° to +85°C / +120°C (without wire leads)  
-40° to +85°C / +105°C (with wire leads)

Flammability Rating: UL94V-0 (PET)  
UL94V-2 (PA)  
UL94HB (POM)

### Materials

Base: PET

Cover: PET/PA

Actuator: POM (85°C) / PA (120°C)

Auxiliary Actuator: Stainless Steel or Plastic

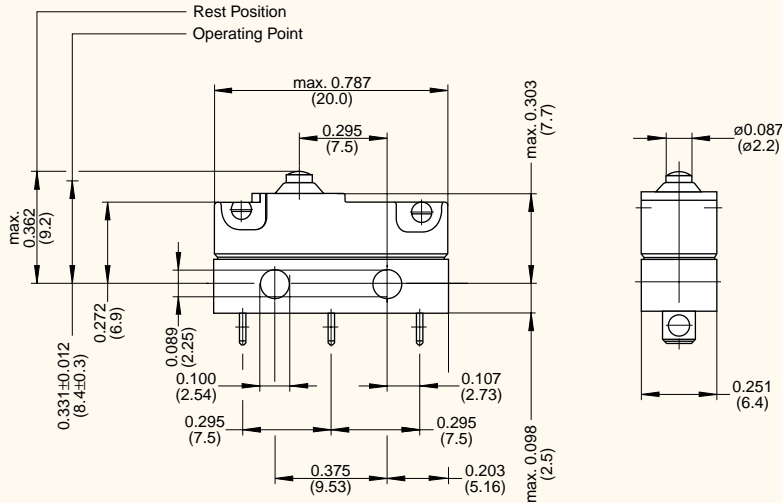
Terminals: Silver-Plated Copper-Zinc

Contacts: Silver Alloy; Silver;  
Gold-Plated Silver Crosspoint;  
Gold Crosspoint

PA = Polyamide • PET = Polyethyleneterephthalate • POM = Polyacetal



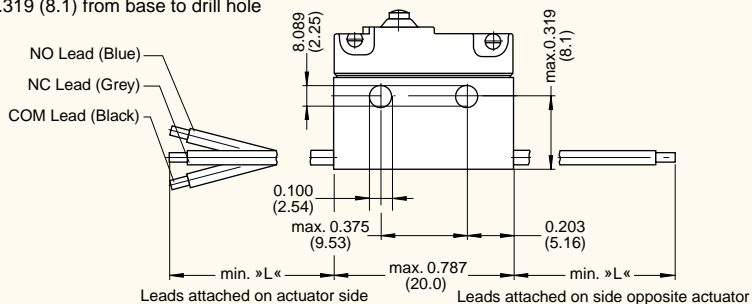
## Dimensions inches (mm)



## Dimensions inches (mm)

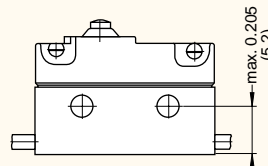
### Model with Electrical Leads

0.319 (8.1) from base to drill hole



### Model with Electrical Leads

0.205 (5.2) from base to drill hole



## Example

Because of the huge variety of options available, there is no fully descriptive order code. Please give us details of your requirements so that we can find the right solution to suit your needs and tell you the precise order code to use.

## Ordering Information

### DCJK

Series/Prefix

### 1

Code	Contact Material
1	Silver Alloy
2	Silver
3	Gold Crosspoint
5	Gold-Plated Silver Crosspoint

### 2

Code	Pedestal Height
1	Short Pedestal 0.098 (2.5)
2	Medium Pedestal 0.205 (5.2)
3	Tall Pedestal 0.319 (8.1)

### XX

Serial Number

## Auxiliary Actuators

Switches in the DCJK family have two mountings for attaching auxiliary actuators. This, combined with the range of actuators available in the DC switch family and various operating points, means that a wide variety of operating forces and travel combinations is feasible.

To find the perfect fit for your requirements, please contact us.

## Switching Point

### Options inches (mm)

For customizing to individual requirements, switches in the DCJK family are available with four different switching points.

