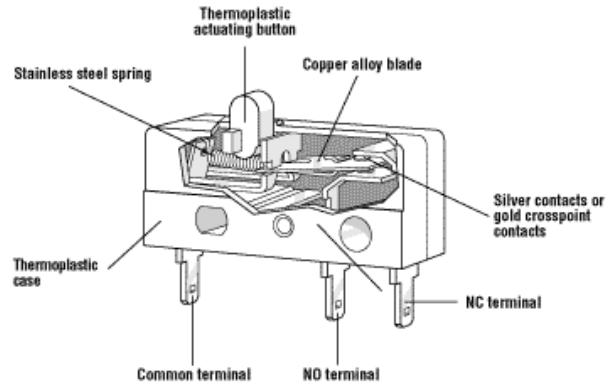


SUBMINIATURE Switch **E61-E64 Series**



Features

- 4 Contact Ratings
- Long life coil spring mechanism
- High temperature versions optional
- Four terminal types
- RoHS compliant

Electrical Ratings and Operating Life		
Switch Series	According to UL 1054	
	Nominal Load	Electrical Life at Rated Load
E61	5A 125/250 VAC	6000
	5A, 30 VDC optional	
E62	10.1A 125/250 VAC; 1/4HP 125VAC	6000
E63	0.1A 125VAC	6000*
	0.25A, 30 VDC optional	
E64	13A, 125VAC; 10.1A 250VAC	6000

* Indicates 100K UL Life Available. Contact Factory

Technical Specifications

Temperature Rating: -40°C to 85°C 130°C optional using thermoset material. Special part number required.

Flammability Rating UL94HB

Mounting: Recommended screw: #2-56 round head
 Recommended torque: 2 inch lbs. max

UL File Number: E23301

Specifications subject to change

Material Specifications

Case: Thermoplastic

Actuating Button: Thermoplastic Acetal

Terminal: Silver Plated Commercial Bronze

Moving Blade: Beryllium Copper

Spring: Stainless Steel

Contacts: E61, E62, E64: Fine Silver
 E63: Gold Crosspoint

Auxiliary Actuator: Cold Rolled Steel (Nickel-Plated)



SUBMINIATURE

E61-E64 Series

Commonly Stocked Distributor Items / Preferred Part Numbers

Item Number	Actuator	UL Rating	Maximum Operating Force (grams)	Maximum Pretravel inches (mm)	Operating Point* inches (mm)	Minimum Overtravel inches (mm)	Max. Movement Differential inches (mm)	Terminal Style	Actuation Length**
0E6100A0		5A 125/250VAC	90	.030 (0.76)	0.330 +/- 0.015 (8.38 +/- 0.38)	0.040 (1.06)	..004 (0.10)	0.093" QC	N/A
0E6100H0		5A 125/250VAC	27	0.144 (3.66)	0.350 +/- 0.030 (8.89 +/- 0.76)	0.040 (1.02)	..020 (0.51)	0.093" QC	0.271 (6.88)
0E6100K0		5A 125/250VAC	30	0.114 (2.90)	0.571 +/- .055 (14.50 +/- 1.4)	0.019 (.483)	0.015 (0.381)	0.093" QC	0.203 (5.16)
0E6110A0		5A 125/250VAC	90	.030 (0.76)	0.330 +/- 0.015 (8.38 +/- 0.38)	0.040 (1.06)	..004 (0.10)	Short Solder	N/A
0E6110H0		5A 125/250VAC	27	0.144 (3.66)	0.350 +/- 0.030 (8.89 +/- 0.76)	0.040 (1.02)	..020 (0.51)	Short Solder	0.271 (6.88)
0E6110K0		5A 125/250VAC	30	0.114 (2.90)	0.571 +/- .055 (14.50 +/- 1.4)	0.019 (.483)	0.015 (0.381)	Short Solder	0.203 (5.16)
0E6130A0		5A 125/250VAC	90	.030 (0.76)	0.330 +/- 0.015 (8.38 +/- 0.38)	0.040 (1.06)	..004 (0.10)	0.110" QC	N/A
0E6130K0		5A 125/250VAC	30	0.114 (2.90)	0.571 +/- .055 (14.50 +/- 1.4)	0.019 (.483)	0.015 (0.381)	0.110" QC	0.203 (5.16)
0E6150H0		5A 125/250VAC	9	0.416 (10.57)	0.350 +/- 0.175 (8.89 +/- 0.76)	0.050 (1.27)	0.050 (1.27)	0.093" QC	0.396 (10.06)
0E6160H0		5A 125/250VAC	9	0.416 (10.57)	0.350 +/- 0.175 (8.89 +/- 0.76)	0.050 (1.27)	0.050 (1.27)	Short Solder	0.396 (10.06)
0E6200A0		10.1A, 125/250VAC; 1/4HP 125VAC	212	.030 (0.76)	0.330 +/- 0.015 (8.38 +/- 0.38)	0.040 (1.06)	..004 (0.10)	0.093" QC	N/A
0E6200H0		10.1A, 125/250VAC; 1/4HP 125VAC	56	0.144 (3.66)	0.350 +/- 0.030 (8.89 +/- 0.76)	0.040 (1.02)	..020 (0.51)	0.093" QC	0.271 (6.88)
0E6200K0		10.1A, 125/250VAC; 1/4HP 125VAC	65	0.114 (2.90)	0.571 +/- .055 (14.50 +/- 1.4)	0.019 (.483)	0.015 (0.381)	0.093" QC	0.203 (5.16)
0E6210A0		10.1A, 125/250VAC; 1/4HP 125VAC	212	.030 (0.76)	0.330 +/- 0.015 (8.38 +/- 0.38)	0.040 (1.06)	..004 (0.10)	Short Solder	N/A
0E6210H0		10.1A, 125/250VAC; 1/4HP 125VAC	56	0.144 (3.66)	0.350 +/- 0.030 (8.89 +/- 0.76)	0.040 (1.02)	..020 (0.51)	Short Solder	0.271 (6.88)
0E6210K0		10.1A, 125/250VAC; 1/4HP 125VAC	65	0.114 (2.90)	0.571 +/- .055 (14.50 +/- 1.4)	0.019 (.483)	0.015 (0.381)	Short Solder	0.203 (5.16)
0E6230A0		10.1A, 125/250VAC; 1/4HP 125VAC	212	.030 (0.76)	0.330 +/- 0.015 (8.38 +/- 0.38)	0.040 (1.06)	..004 (0.10)	0.110" QC	N/A
0E6230K0		10.1A, 125/250VAC; 1/4HP 125VAC	65	0.114 (2.90)	0.571 +/- .055 (14.50 +/- 1.4)	0.019 (.483)	0.015 (0.381)	0.110" QC	0.203 (5.16)
0E6250A0		10.1A, 125/250VAC; 1/4HP 125VAC	212	.030 (0.76)	0.330 +/- 0.015 (8.38 +/- 0.38)	0.040 (1.06)	..004 (0.10)	PCB	N/A
0E6250K0		10.1A, 125/250VAC; 1/4HP 125VAC	33	0.379 (9.63)	0.570 +/- 0.158 (14.46 +/- 0.76)	0.040 (1.02)	0.050 (1.27)	0.093" QC	0.326 (8.29)
0E6260H0		10.1A, 125/250VAC; 1/4HP 125VAC	20	0.416 (10.57)	0.350 +/- 0.175 (8.89 +/- 0.76)	0.050 (1.27)	0.050 (1.27)	Short Solder	0.271 (6.88)
0E6300A0		0.1A, 125VAC	90	.030 (0.76)	0.330 +/- 0.015 (8.38 +/- 0.38)	0.040 (1.06)	..004 (0.10)	0.093" QC	N/A
0E6300H0		0.1A, 125VAC	27	0.144 (3.66)	0.350 +/- 0.030 (8.89 +/- 0.76)	0.040 (1.02)	..020 (0.51)	0.093" QC	0.196 (4.99)
0E6300K0		0.1A, 125VAC	30	0.114 (2.90)	0.571 +/- .055 (14.50 +/- 1.4)	0.019 (.483)	0.015 (0.381)	0.093" QC	0.203 (5.16)
0E6310H0		0.1A, 125VAC	27	0.144 (3.66)	0.350 +/- 0.030 (8.89 +/- 0.76)	0.040 (1.02)	..020 (0.51)	Short Solder	0.271 (6.88)
0E6310K0		0.1A, 125VAC	30	0.114 (2.90)	0.571 +/- .055 (14.50 +/- 1.4)	0.019 (.483)	0.015 (0.381)	Short Solder	0.203 (5.16)
0E6330K0		0.1A, 125VAC	30	0.114 (2.90)	0.571 +/- .055 (14.50 +/- 1.4)	0.019 (.483)	0.015 (0.381)	0.093" QC	0.203 (5.16)
0E6350H0		0.1A, 125VAC	9	0.416 (10.57)	0.350 +/- 0.175 (8.89 +/- 0.76)	0.050 (1.27)	0.050 (1.27)	0.093" QC	0.396 (10.06)

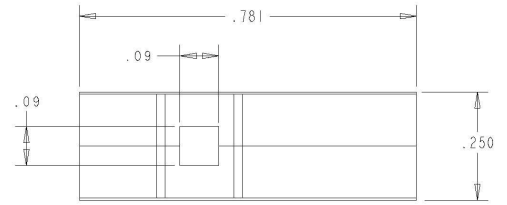
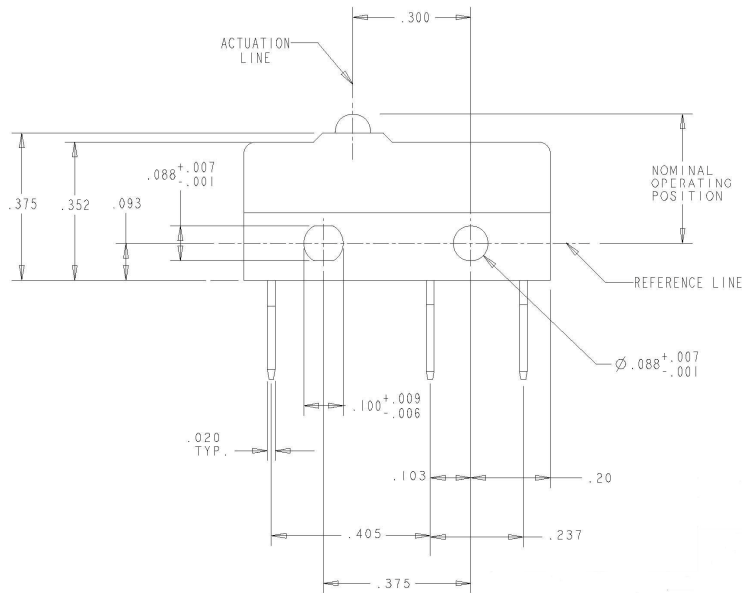
* Measured using Reference Line shown on drawing on following page.

** Actuator tolerance of +/- 0.031" (0.79 mm)

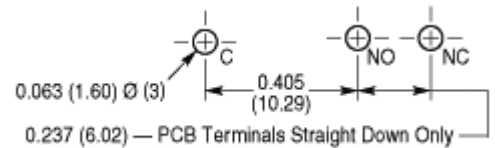
SUBMINIATURE

E61-E64 Series

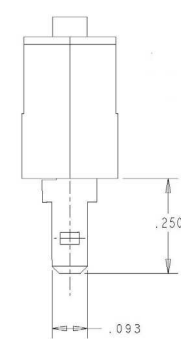
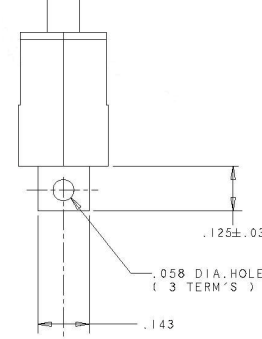
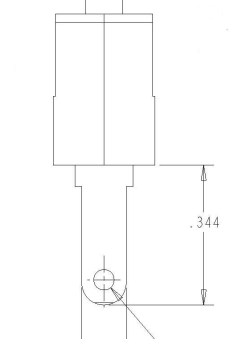
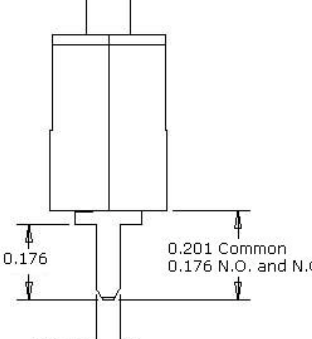
Dimensions inches



PCB Terminal Footprint



Terminal Options inches

 <p>.250 .093</p>	 <p>.125±.030 .058 DIA. HOLE (3 TERMS) .143</p>	 <p>.344 .110 Ø .050</p>	 <p>0.201 Common 0.176 N.O. and N.C. .049</p>
<p>-00A 0.093" QC</p>	<p>-10A Short Solder[^]</p>	<p>-30A 0.110" QC</p>	<p>-50A PCB[^]</p>

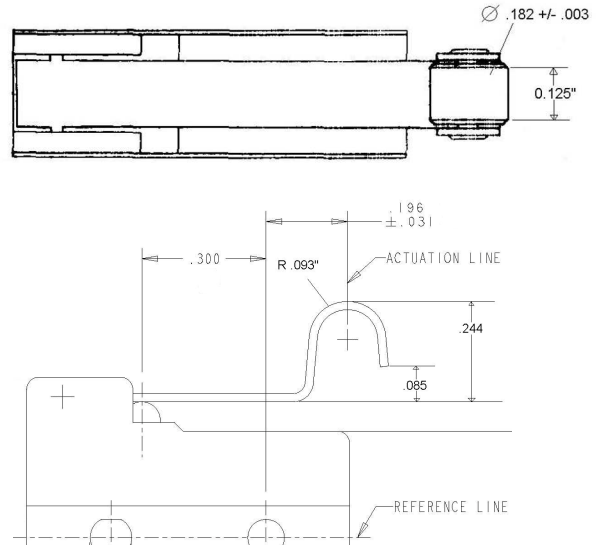
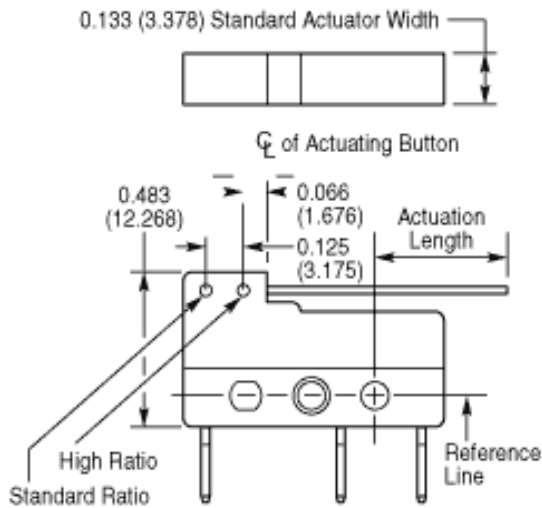
[^] Not available on E64 series

- Consult factory for switch part numbers if ordering pcb terminals

Terminal Mating Connectors:

- 0.093" QC terminals mate with AMP part number 60432-1
- 0.110" QC terminals mate with AMP part number 42068-1

Actuators



Ordering Information

1. Select the contact rating prefix you need (E61-E64).
2. Combine the prefix with the corresponding terminal configuration. For example part number E63-50H will provide you with a gold crosspoint subminiature switch with 0.093" QC terminals and a straight lever with a 0.396" actuation length
3. To order a normally open version simply 'add 1' to the suffix to obtain E63-01H and normally closed 'add 2' for part number E63-02H.
4. To order a E62-50K with 0.110" QC terminals, "add" the new terminal code (-30) to the part number – E62-80K will be the resulting part number for a subminiature switch with 0.110" QC terminals and a roller lever with a 0.326" actuation length.

Contact

Call, fax or visit our Website for more information.

ZF Electronics Corporation
 11200 88th Avenue
 Pleasant Prairie, WI 53158

Phone: 262.942.6500
 Web: www.cherrycorp.com
 Email: cep_sales@zf.com
 Fax: 262.942.6566

The manufacturer accepts no liability for errors or non-availability, and reserves the right to change specifications without prior notice.

Technical data relates to product specifications only. Features may differ from those described. Only drawings combined with product specifications shall be deemed binding.

© 2007 ZF Electronics Corporation

Last Updated: 061212