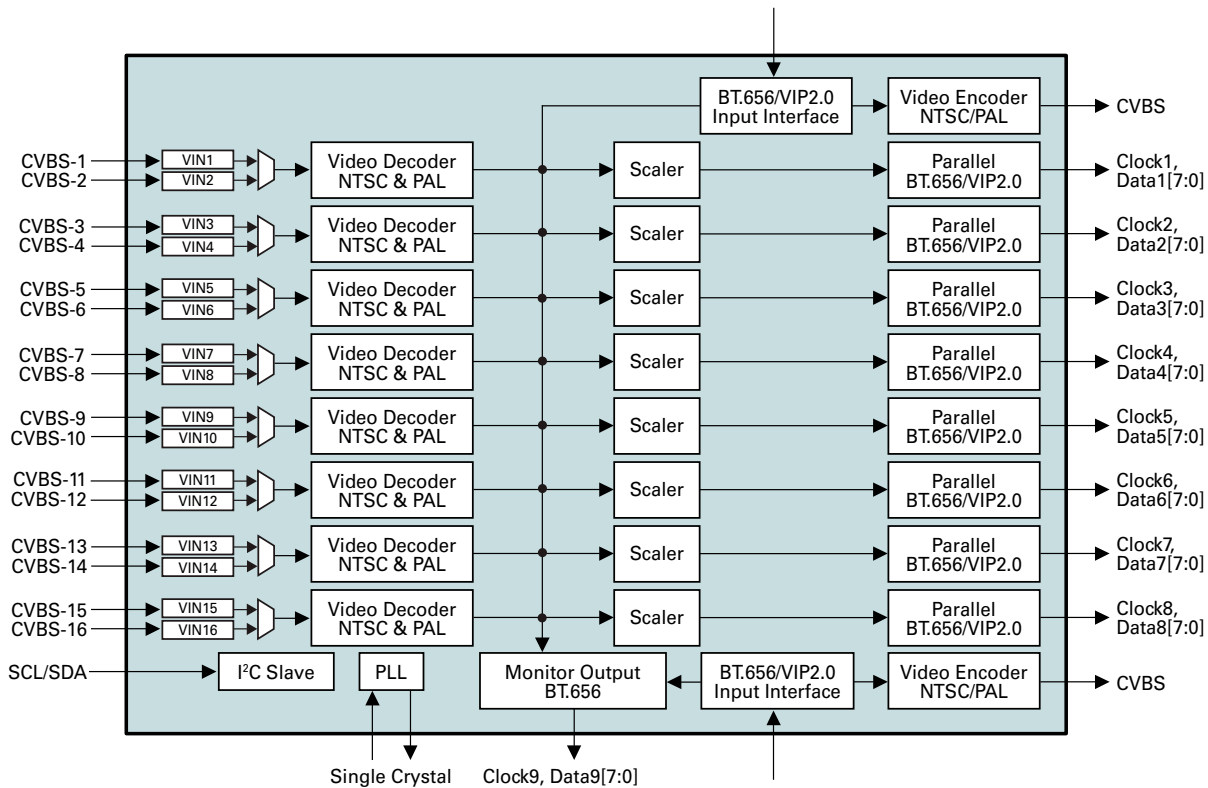




Integrated Filters

All video inputs have integrated anti-alias filters, eliminating the need for external filter components. These filters help improve the video decoding process by removing aliasing artifacts prior to the digitization process.

Conexant employs a proprietary method of luma-chroma separation of the composite video sources to ensure optimum video quality.



CX25850/1/3 Device Block Diagram

The CX25850 is offered in a 20mm X 20mm, 176-pin eTQFP package and a 13mm x 13mm fpBGA package.

The CX25851 is offered in a 28mm X 28mm, 208-pin eLQFP package.

The CX25853 is offered in a 28mm X 28mm, 256-pin eLQFP and a 19mm x 19mm fpBGA package.

Conexant Product Portfolio

Conexant's comprehensive product portfolio includes solutions for imaging, audio, and video applications, and analog modems that enable cost-effective Internet access. The company's broadband access products include end-to-end solutions for xDSL networks, and PON solutions for fiber optic applications.

© 2008, Conexant Systems, Inc. All Rights Reserved. Conexant and the Conexant logo are registered trademarks of Conexant Systems, Inc. All other trademarks are owned by their respective owners. Although Conexant strives for accuracy in all its publications, this material may contain errors or omissions and is subject to change without notice. **THIS MATERIAL IS PROVIDED AS IS AND WITHOUT ANY EXPRESS OR IMPLIED WARRANTIES, INCLUDING MERCHANTABILITY, FITNESS FOR A PARTICULAR PURPOSE AND NON-INFRINGEMENT.** Conexant shall not be liable for any special, indirect, incidental or consequential damages as a result of its use.

www.conexant.com
General Information:
 U.S. and Canada: (888) 855-4562
 International: 1+ (949) 483-3000
 Headquarters
 4000 MacArthur Blvd.
 Newport Beach, CA 92660
 Order# PBR-201225

