



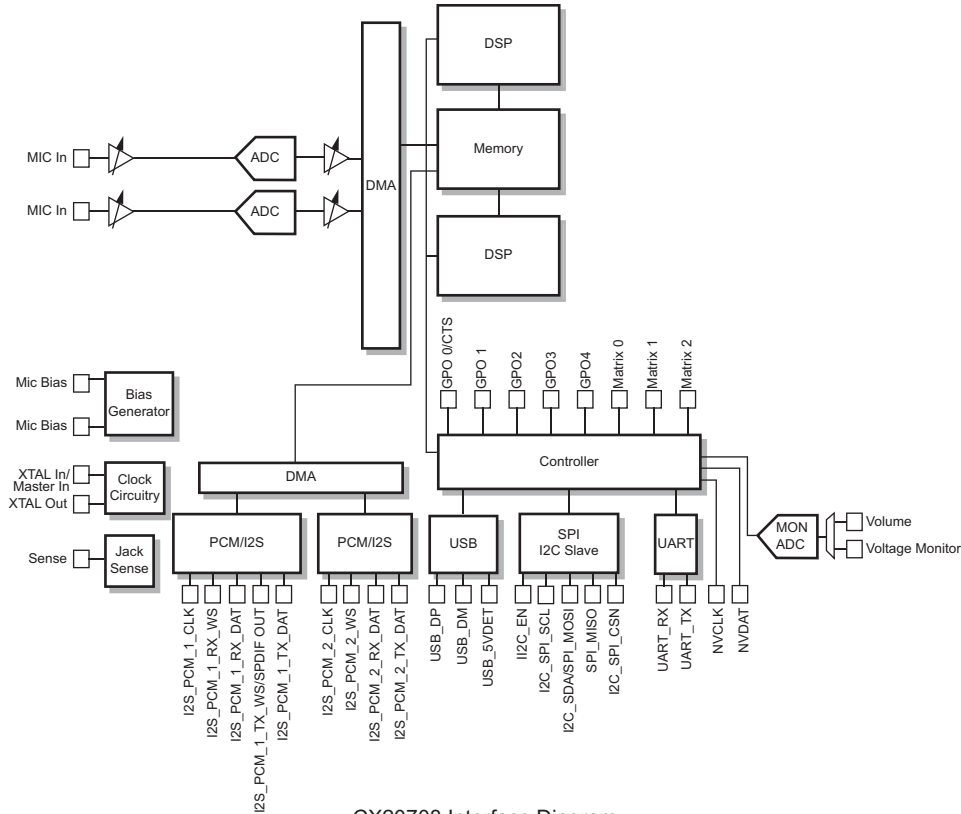
CX20708 Features

CODEC

- ◆ High Fidelity 16-bit ADC
- ◆ Configurable Microphone Pre-amp, up to 40 dB
- ◆ Mic Bias
- ◆ On-chip, 50 MIPS, Dual Core Audio Processor

- ◆ Fractional SRC and Sync Buffers
- ◆ Serial Data Interface (I2S/PCM)
- ◆ I²C Control Interface
- ◆ USB 2.0, Full Speed UAC compliant interface, Slave
- ◆ Support Asynchronous USB Audio Data Transfer Mode
- ◆ Super Wideband Voice Processing Algorithms
- ◆ Sub-band Acoustic Echo

- ◆ Canceller
- ◆ Beam Forming
- ◆ In-band Acoustic Noise Reduction
- ◆ Far Field Pickup Microphone Auto Gain Control
- ◆ Parametric Microphone EQ
- ◆ Audio sample rate: 8, 16, 24, 32, 44.1, 48 kHz
- ◆ 9x9mm 76 QFN Package



Conexant Product Portfolio

Conexant's comprehensive product portfolio includes solutions for imaging, audio, video surveillance, and embedded modem applications.

© 2011 Conexant Systems, Inc. All Rights Reserved. Conexant and the Conexant logo are registered trademarks of Conexant Systems, Inc. All other trademarks are owned by their respective owners. Although Conexant strives for accuracy in all its publications, this material may contain errors or omissions and is subject to change without notice. **THIS MATERIAL IS PROVIDED AS IS AND WITHOUT ANY EXPRESS OR IMPLIED WARRANTIES, INCLUDING MERCHANTABILITY, FITNESS FOR A PARTICULAR PURPOSE AND NON-INFRINGEMENT.** Conexant shall not be liable for any special, indirect, incidental or consequential damages as a result of its use.

www.conexant.com
 General Information:
 U.S. and Canada: (888) 855-4562
 International: 1+ (949) 483-3000
 Headquarters
 4000 MacArthur Blvd.
 Newport Beach, CA 92660
 Doc# PBR-202748

