

THE INFORMATION CONTAINED HEREIN IS CONSIDERED "PROPRIETARY" TO BEL FUSE INC. AND SHALL NOT BE COPIED, REPRODUCED OR DISCLOSED WITHOUT THE WRITTEN APPROVAL OF BEL FUSE INC.

PRELIMINARY



| LED 2 & 4 POLARITY | | | LED 1 & 3 POLARITY | | |
|--------------------|--------|-------|--------------------|--------|-------|
| PIN 11 | PIN 12 | COLOR | PIN 13 | PIN 14 | COLOR |
| + | - | GREEN | + | - | GREEN |

ELECTRICAL CHARACTERISTICS @ 25°C

URNS RATIO

| | |
|-----|---------------|
| TP1 | 1CT : 1CT ±2% |
| TP2 | 1CT : 1CT ±2% |

□CL @ 100kHz/100mVRMS

| | |
|--------------------------|------------|
| 8mA DC BIAS (0°C - 70°C) | 350µH MIN. |
|--------------------------|------------|

INS. LOSS

| | |
|-----------------|-------------|
| 0.1MHz TO 1MHz | -1.1 dB MAX |
| 1MHz TO 65MHz | -0.5 dB MAX |
| 65MHz TO 100MHz | -1.0 dB MAX |

RET. LOSS (MIN) @ 100ΩHMS ±15%

| | |
|--------------|-----------------------|
| 0.5MHz-40MHz | -18 dB |
| 40MHz-80MHz | -12+20LOG(f/80MHz) dB |

CM TO CM REJ

| | |
|-----------------|------------|
| 100kHz - 100MHz | -30 dB MIN |
|-----------------|------------|

CM TO DM REJ

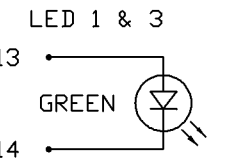
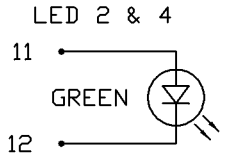
| | |
|-----------------|------------|
| 100kHz - 100MHz | -35 dB MIN |
|-----------------|------------|

HIPOT (Isolation Voltage): 1500 Vrms

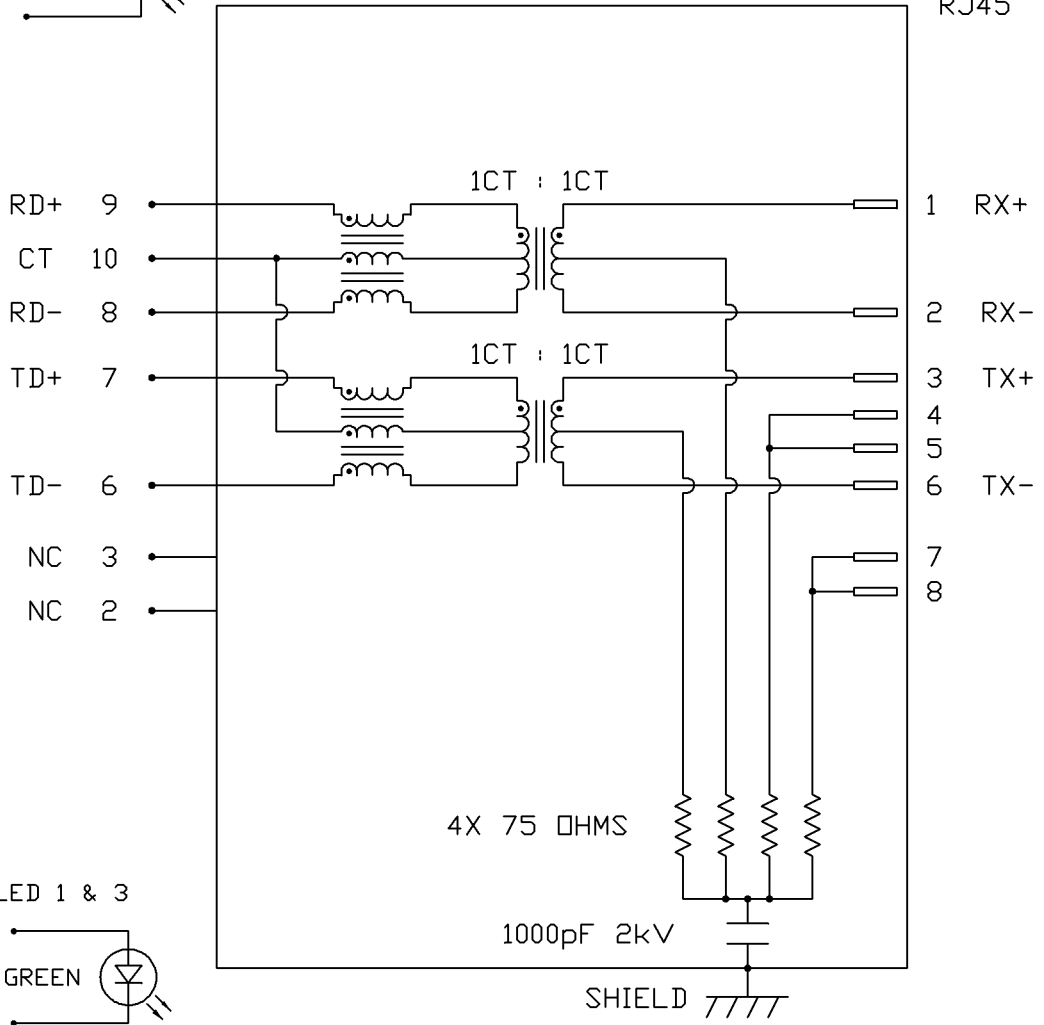
100% OF PRODUCTION TESTED TO COMPLY WITH IEEE 802.3 ISOLATION REQUIREMENTS.

LED 1,LED 2,LED 3 & LED 4

| | |
|--------------------------|--------------------------|
| VF (FORWARD VOLTAGE) | IF=20mA GREEN 2.2V TYP. |
| λD (DOMINANT WAVELENGTH) | IF=20mA GREEN 565nm TYP. |



SCHEMATIC



| | | |
|---------------|----------|-------------------------------------|
| ORIGINATED BY | DATE | TITLE |
| CHOW WANCHUNG | 01-12-09 | 2X3 MagJack® (COMPRESSOR SERIES) |
| DRAWN BY | DATE | |
| LEE WEIDE | 01-12-09 | |

| | | |
|------------------------|---------------|------------------------------|
| PART NO. / DRAWING NO. | STANDARD DIM. | [] METRIC DIM. AS REFERENCE |
| C850-2G3R-M9 | TOL. IN INCH | UNIT : INCH [mm] REV. : PB |
| FILE NAME | .X | SCALE : N/A SIZE : A4 |
| C850-2G3R-M9_PB.DWG | .XX | ⊕ --- --- PAGE : 2 |
| | .XXX | |

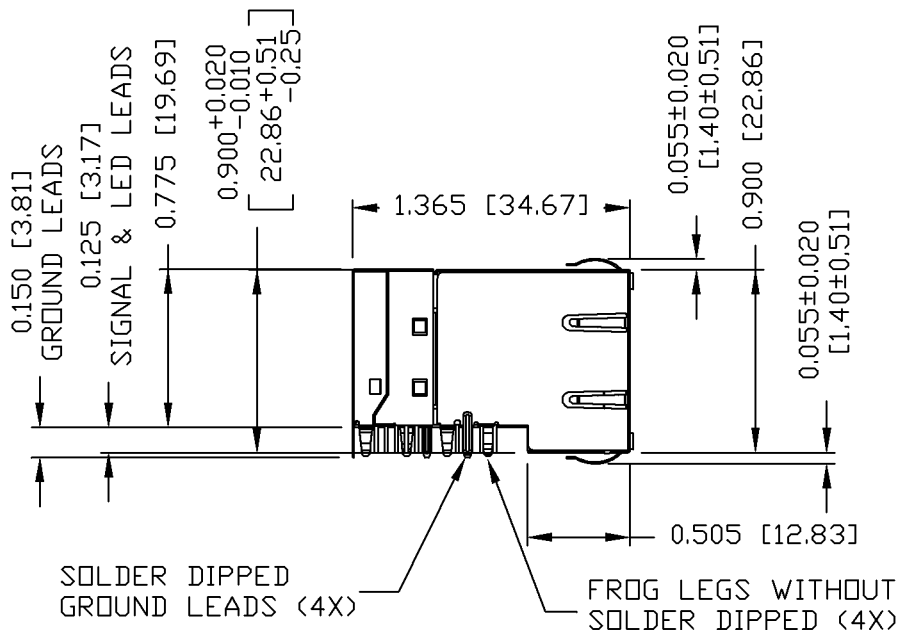
| | | |
|-----------|-----------|----------|
| REV. : PB | SIZE : A4 | PAGE : 2 |
|-----------|-----------|----------|



THE INFORMATION CONTAINED HEREIN IS CONSIDERED "PROPRIETARY" TO BEL FUSE INC. AND SHALL NOT BE COPIED, REPRODUCED OR DISCLOSED WITHOUT THE WRITTEN APPROVAL OF BEL FUSE INC.

PRELIMINARY

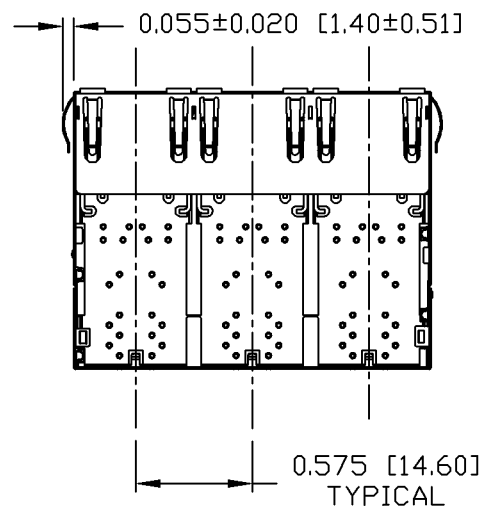
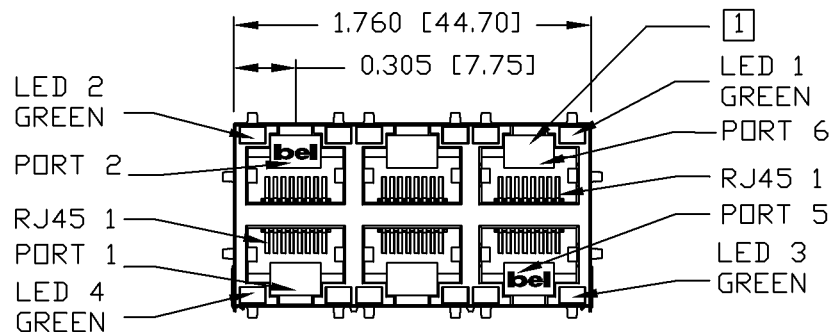
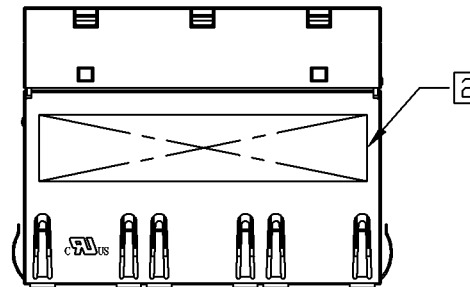
RoHS
2002/95/EC



NOTES:
 PLASTIC HOUSING: THERMOPLASTIC PBT
 FLAMMABILITY RATING UL 94V-0
 CONTACT PLATING: 30 MICRO-INCH HARD GOLD PLATING
 OUTPUT PINS: TIN-COATED COPPER WIRE, DIA 0.018 INCH.
 METAL SHIELD: NICKEL PLATED ON COPPER ALLOY.
 (ALL GROUND LEADS ARE SOLDER DIPPED)
 FROG LEGS ARE FOR PDB RETENTION
 FORCE ONLY AND NOT FOR GROUNDING PURPOSE

- [1.] JACK CAVITY CONFORMS TO FCC RULES AND REGULATIONS, PART 68 SUBPART F.
- [2.] MARK PART WITH MFG LOGO, MFG NAME, PART NUMBER, AND DATE CODE.

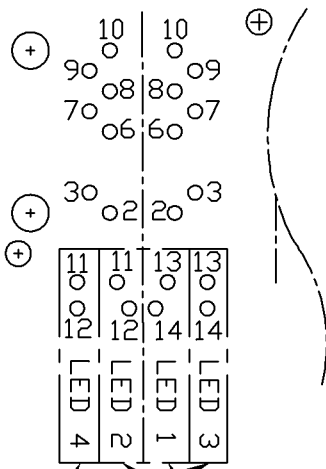
c US UL RECOGNIZED - FILE #E196366 AND E169987.
 RoHS COMPLIANCE, PER EU DIRECTIVE 2002/95/EC.



| ORIGINATED BY | DATE | TITLE | PART NO. / DRAWING NO. | STANDARD DIM. | | [] METRIC DIM. AS REFERENCE | | |
|---------------|----------|-------------------------------------|------------------------|---------------|---------|------------------------------|-----------|--|
| | | | | TOL. | IN INCH | UNIT : INCH [mm] | REV. : PB | |
| HOWFAR WEI | 01-12-09 | 2X3 MagJack® (COMPRESSOR SERIES) | C850-2G3R-M9 | .X | | SCALE : N/A | SIZE : A4 | |
| DRAWN BY | DATE | | FILE NAME | .XX | | PAGE : 3 | | |
| JOLLY LUD | 01-12-09 | | C850-2G3R-M9_PB.DWG | .XXX | ±0.010 | | | |

THE INFORMATION CONTAINED HEREIN IS CONSIDERED "PROPRIETARY" TO BEL FUSE INC. AND SHALL NOT BE COPIED, REPRODUCED OR DISCLOSED WITHOUT THE WRITTEN APPROVAL OF BEL FUSE INC.

PRELIMINARY

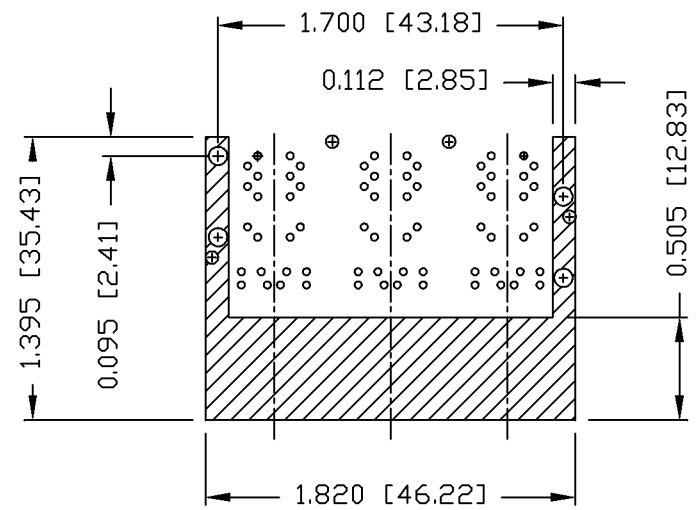
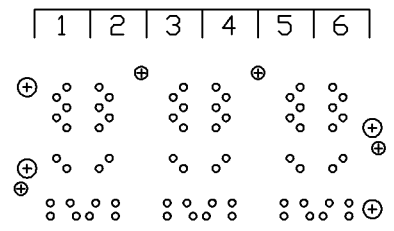


LED FOR LOWER DECK LED FOR UPPER DECK

PIN-OUT INFORMATION
(COMPONENT SIDE VIEW)

| | |
|----|-----------|
| 14 | GREEN (-) |
| 13 | GREEN (+) |
| 12 | GREEN (-) |
| 11 | GREEN (+) |
| 10 | CT |
| 9 | RD+ |
| 8 | RD- |
| 7 | TD+ |
| 6 | TD- |
| 5 | NO PIN |
| 4 | NO PIN |
| 3 | NC |
| 2 | NC |
| 1 | NO PIN |

PORT ASSIGNMENT
(COMPONENT SIDE VIEW)



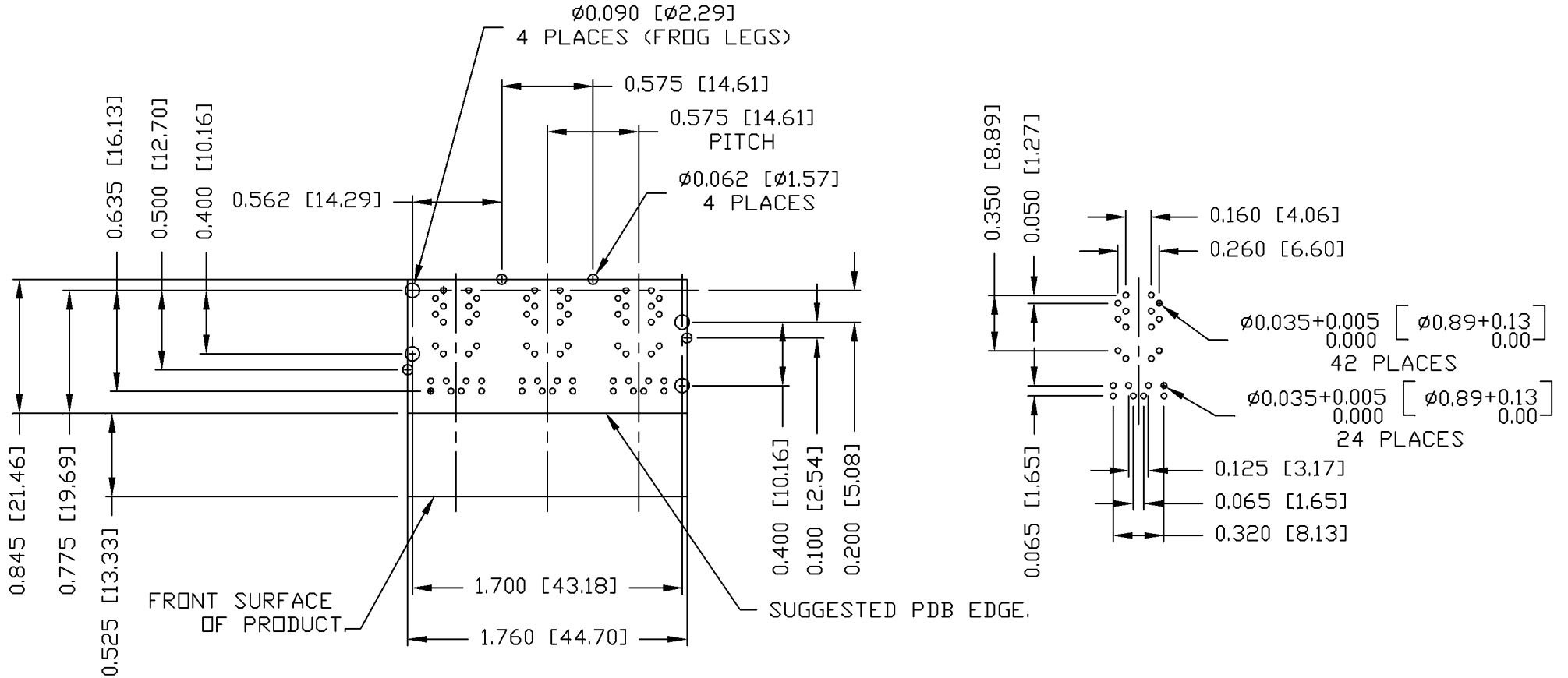
THE SHADED AREA ON THE CUSTOMER BOARD ARE RECOMMENDED TO BE CLEAR OFF ANY VIA HOLE OR COMPONENT PAD.

| | | | | | | | | |
|-----------------------------|------------------|--|--|--|----------------------------|--------|------------------------------|-----------|
| ORIGINATED BY HOWFAR WEI | DATE 01-12-09 | TITLE 2X3 MagJack® (COMPRESSOR SERIES) | PART NO. / DRAWING NO. C850-2G3R-M9 | | STANDARD DIM. TOL. IN INCH | | [] METRIC DIM. AS REFERENCE | |
| | | | FILE NAME C850-2G3R-M9_PB.DWG | | .X .XX .XXX | ±0.004 | UNIT : INCH [mm] | REV. : PB |
| DRAWN BY JOLLY LUO | DATE 01-12-09 | | | | | | SCALE : N/A | SIZE : A4 |
| | | | | | | | | PAGE : 4 |



THE INFORMATION CONTAINED HEREIN IS CONSIDERED "PROPRIETARY" TO BEL FUSE INC. AND SHALL NOT BE COPIED, REPRODUCED OR DISCLOSED WITHOUT THE WRITTEN APPROVAL OF BEL FUSE INC.

PRELIMINARY



SUGGESTED FOOTPRINT
(COMPONENT SIDE VIEW)

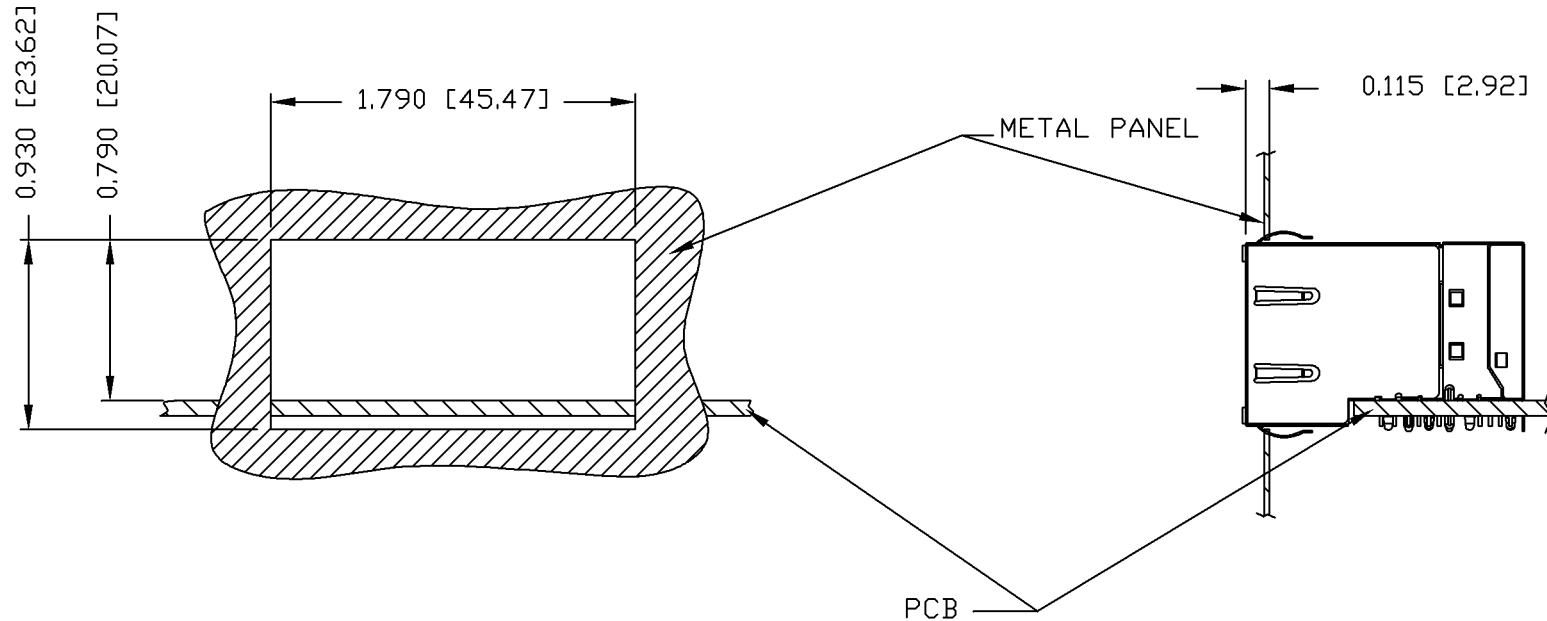
| | | | | | | | | | |
|-----------------------------|------------------|--|--|--|----------------------------|--------|------------------------------|-----------|---------------------------------------|
| ORIGINATED BY HOWFAR WEI | DATE 01-12-09 | TITLE 2X3 MagJack® (COMPRESSOR SERIES) | PART NO. / DRAWING NO. C850-2G3R-M9 | | STANDARD DIM. TOL. IN INCH | | [] METRIC DIM. AS REFERENCE | | COMPONENTS FOR A CONNECTED PLANET |
| | | | FILE NAME C850-2G3R-M9_PB.DWG | | .X | | UNIT : INCH [mm] | REV. : PB | |
| DRAWN BY JOLLY LUD | DATE 01-12-09 | | | | .XX | | SCALE : N/A | SIZE : A4 | PAGE : 5 |
| | | | | | .XXX | ±0.004 | | | |

THE INFORMATION CONTAINED HEREIN IS CONSIDERED "PROPRIETARY" TO BEL FUSE INC. AND SHALL NOT BE COPIED, REPRODUCED OR DISCLOSED WITHOUT THE WRITTEN APPROVAL OF BEL FUSE INC.

PRELIMINARY



SUGGESTED PANEL OPENING



NOTE:

THE DISTANCE OF PANEL INSIDE SURFACE RELATIVE TO FRONT SURFACE OF PART IS ONLY A SUGGESTION. IN CASE THIS DISTANCE IS DIFFERENT, THE REQUIRED PANEL OPENING DIMENSIONS CHANGE ACCORDINGLY.

PACKING INFORMATION

PACKING TRAY : 0200-9999-G8 (TOP)

0200-9999-G9 (BOTTOM)

PACKING QUANTITY : 30 PDS FINISHED GOODS PER TRAY.

6 TRAYS (180 PDS FINISHED GOODS) PER CARTON BOX.

NOTE : CARDBOARDS ARE PLACED BETWEEN LAYERS OF PACKING TRAY INSIDE CARTON BOX.

(INCLUDE THE UPPERMOST AND LOWERMOST TRAY)

| | | | | | | | | |
|-----------------------------|------------------|--|--|----------------------------|--------|------------------------------|-----------|-----------------------------------|
| ORIGINATED BY HOWFAR WEI | DATE 01-12-09 | TITLE 2X3 MagJack® (COMPRESSOR SERIES) | PART NO. / DRAWING NO. C850-2G3R-M9 | STANDARD DIM. TOL. IN INCH | | [] METRIC DIM. AS REFERENCE | | bel |
| | | | | .X | | UNIT : INCH [mm] | REV. : PB | |
| DRAWN BY JOLLY LUO | DATE 01-12-09 | | FILE NAME C850-2G3R-M9_PB.DWG | .XX | | SCALE : N/A | SIZE : A4 | COMPONENTS FOR A CONNECTED PLANET |
| | | | | .XXX | ±0.004 | ⊕ | PAGE : 6 | |