

THE INFORMATION CONTAINED HEREIN IS CONSIDERED "PROPRIETARY" TO BEL FUSE INC. AND SHALL NOT BE COPIED, REPRODUCED OR DISCLOSED WITHOUT THE WRITTEN APPROVAL OF BEL FUSE INC.

LED 2 & 4 POLARITY			LED 1 & 3 POLARITY		
PIN 11	PIN 12	COLOR	PIN 13	PIN 14	COLOR
+	-	YELLOW	+	-	YELLOW
-	+	GREEN	-	+	GREEN

PRELIMINARY



ELECTRICAL CHARACTERISTICS @ 25°C

URNS RATIO

TP1	1CT : 1CT ±2%
TP2	1CT : 1CT ±2%

□CL @ 100kHz/100mVRMS

8mA DC BIAS (0°C - 70°C) 350µH MIN.

INS. LOSS

0.1MHz TO 1MHz	-1.1 dB MAX
1MHz TO 65MHz	-0.5 dB MAX
65MHz TO 100MHz	-1.0 dB MAX

RET. LOSS (MIN) @ 100DHMS ±15%

0.5MHz-40MHz	-18 dB
40MHz-80MHz	-12+20LOG(f/80MHz) dB

CM TO CM REJ

100kHz - 100MHz -30 dB MIN

CM TO DM REJ

100kHz - 100MHz -35 dB MIN

HIPOT (Isolation Voltage):

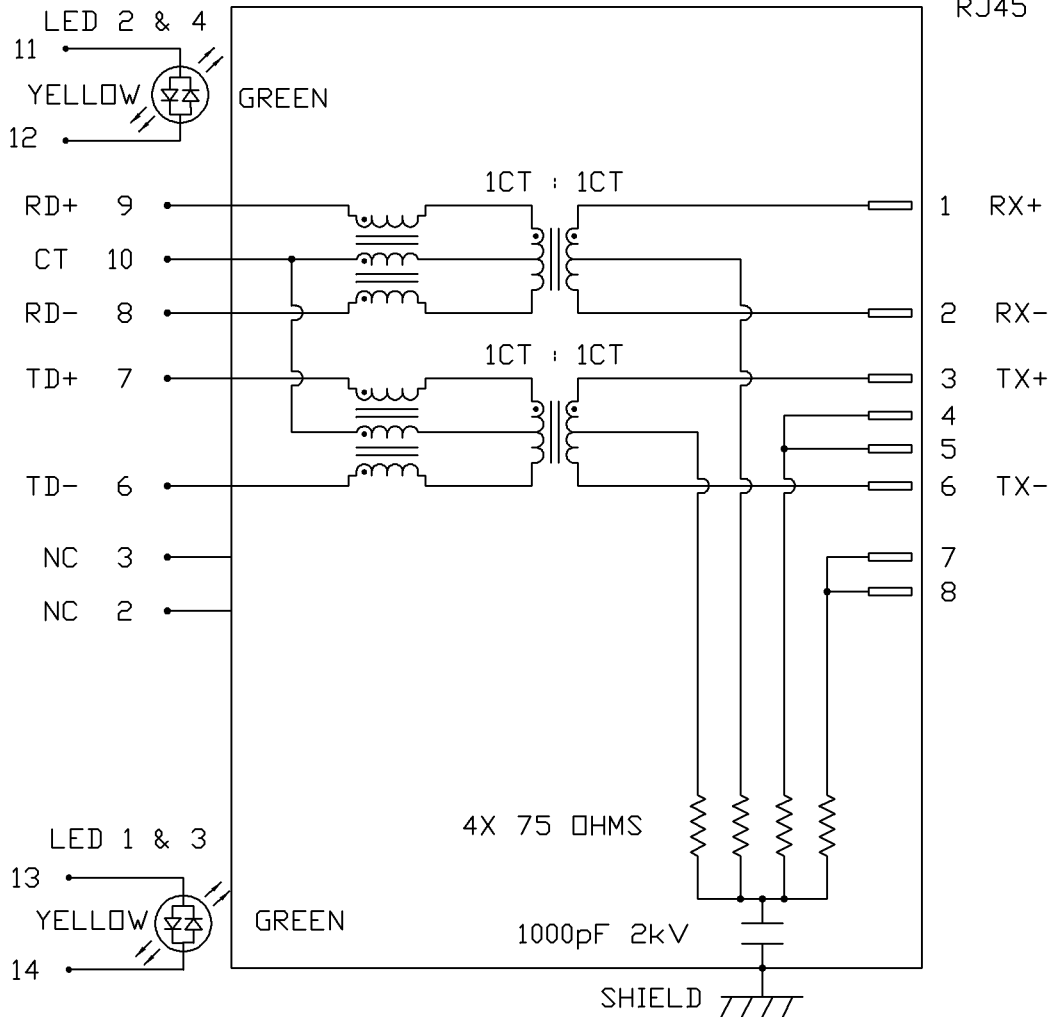
1500 Vrms

100% OF PRODUCTION TESTED TO COMPLY WITH IEEE 802.3 ISOLATION REQUIREMENTS.

LED 1,LED 2,LED 3 & LED 4

VF (FORWARD VOLTAGE)	IF=20mA	GREEN	2.2V TYP.
		YELLOW	2.1V TYP.
λD (DOMINANT WAVELENGTH)	IF=20mA	GREEN	565nm TYP.
		YELLOW	590nm TYP.

SCHEMATIC



ORIGINATED BY	DATE	TITLE
CHOW WANCHUNG	01-13-09	
DRAWN BY	DATE	(COMPRESSOR SERIES)
LEE WEIDE	01-13-09	

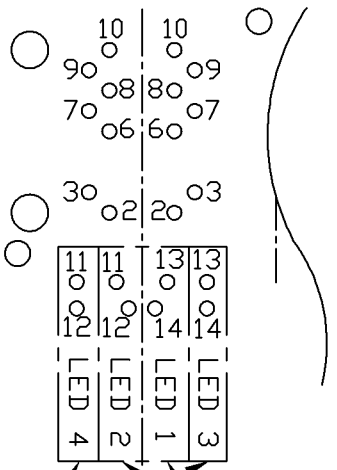
PART NO. / DRAWING NO.	STANDARD DIM.	[] METRIC DIM. AS REFERENCE
C850-2C6R-M9	TOL. IN INCH	UNIT : INCH [mm] REV. : PC
FILE NAME	.X	SCALE : N/A SIZE : A4
C850-2C6R-M9_PC.DWG	.XX	⊕ --- --- PAGE : 2
	.XXX	

REV. : PC	SIZE : A4
SCALE : N/A	PAGE : 2



THE INFORMATION CONTAINED HEREIN IS CONSIDERED 'PROPRIETARY' TO BEL FUSE INC. AND SHALL NOT BE COPIED, REPRODUCED OR DISCLOSED WITHOUT THE WRITTEN APPROVAL OF BEL FUSE INC.

PRELIMINARY

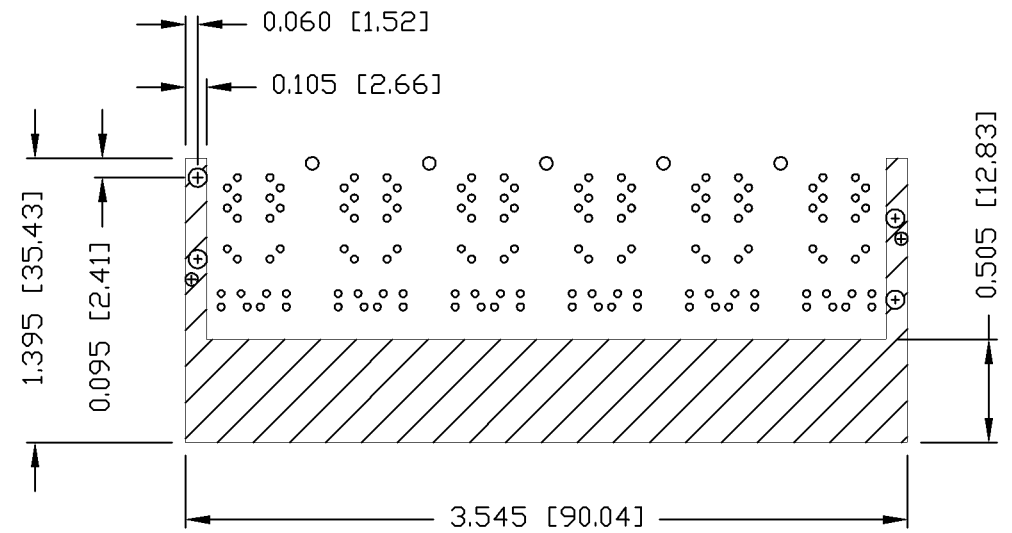
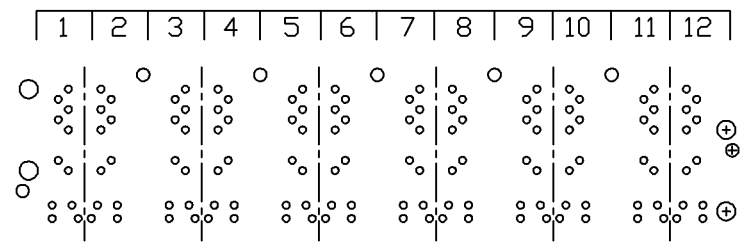


LED FOR LOWER DECK LED FOR UPPER DECK

PIN-OUT INFORMATION
(COMPONENT SIDE VIEW)

10	CT
9	RD+
8	RD-
7	TD+
6	TD-
5	NO PIN
4	NO PIN
3	NC
2	NC
1	NO PIN

PORT ASSIGNMENT
(COMPONENT SIDE VIEW)

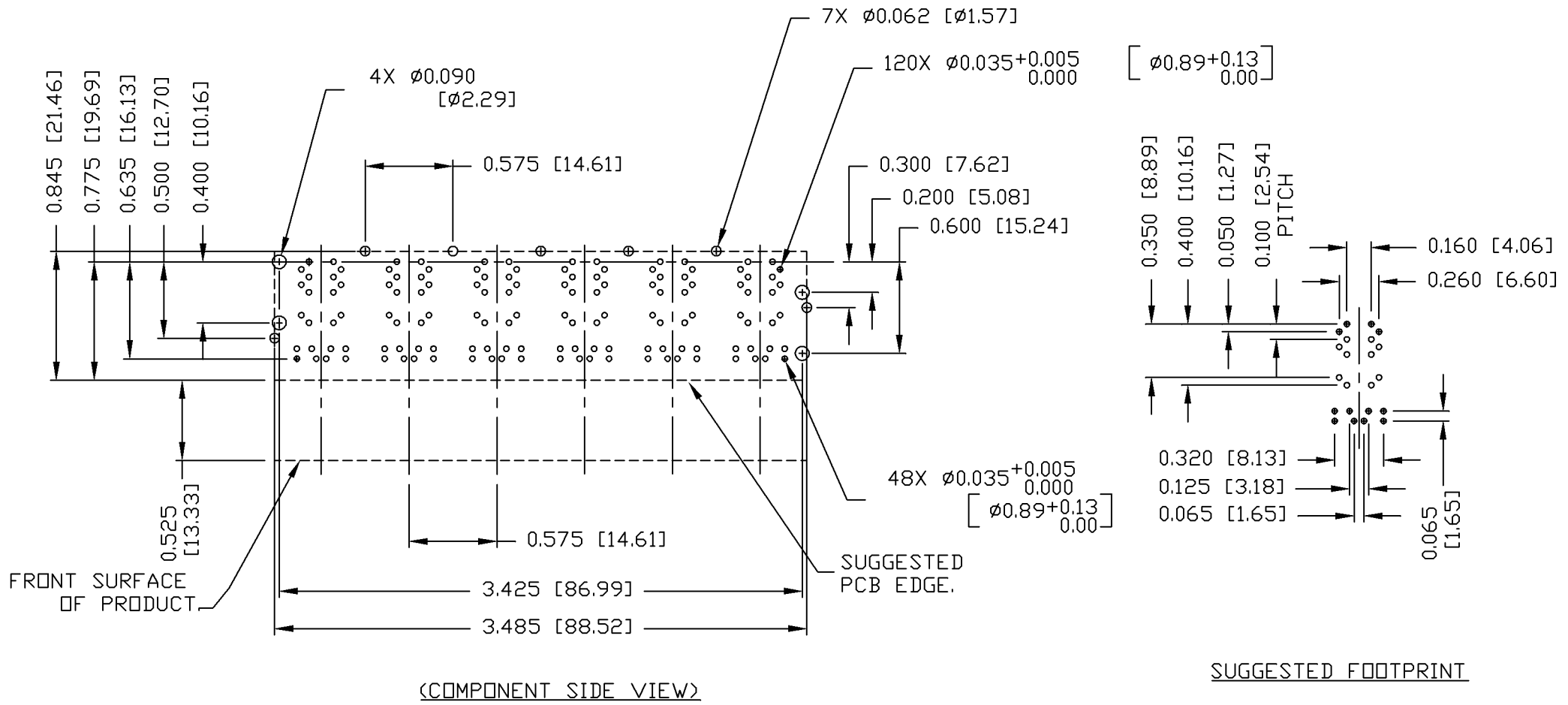


THE SHADED AREA ON THE CUSTOMER BOARD ARE RECOMMENDED TO BE CLEAR OFF ANY VIA HOLE OR COMPONENT PAD.

ORIGINATED BY HOWFAR WEI	DATE 01-13-09	TITLE 2X6 MagJack® (COMPRESSOR SERIES)	PART NO. / DRAWING NO. C850-2C6R-M9		STANDARD DIM. TOL. IN INCH		[] METRIC DIM. AS REFERENCE		bel COMPONENTS ON A CONNECTED PLANET
			FILE NAME C850-2C6R-M9_PC.DWG		.X .XX .XXX	±0.004	UNIT : INCH [mm] SCALE : N/A	REV. : PC SIZE : A4 PAGE : 4	
DRAWN BY JOLLY LUO	DATE 01-13-09								

THE INFORMATION CONTAINED HEREIN IS CONSIDERED "PROPRIETARY" TO BEL FUSE INC. AND SHALL NOT BE COPIED, REPRODUCED OR DISCLOSED WITHOUT THE WRITTEN APPROVAL OF BEL FUSE INC.

PRELIMINARY



ORIGINATED BY	DATE
HOWFAR WEI	01-13-09
DRAWN BY	DATE
JOLLY LUO	01-13-09

TITLE
2X6 MagJack® (COMPRESSOR SERIES)

PART NO. / DRAWING NO.
C850-2C6R-M9
FILE NAME
C850-2C6R-M9_PC.DWG

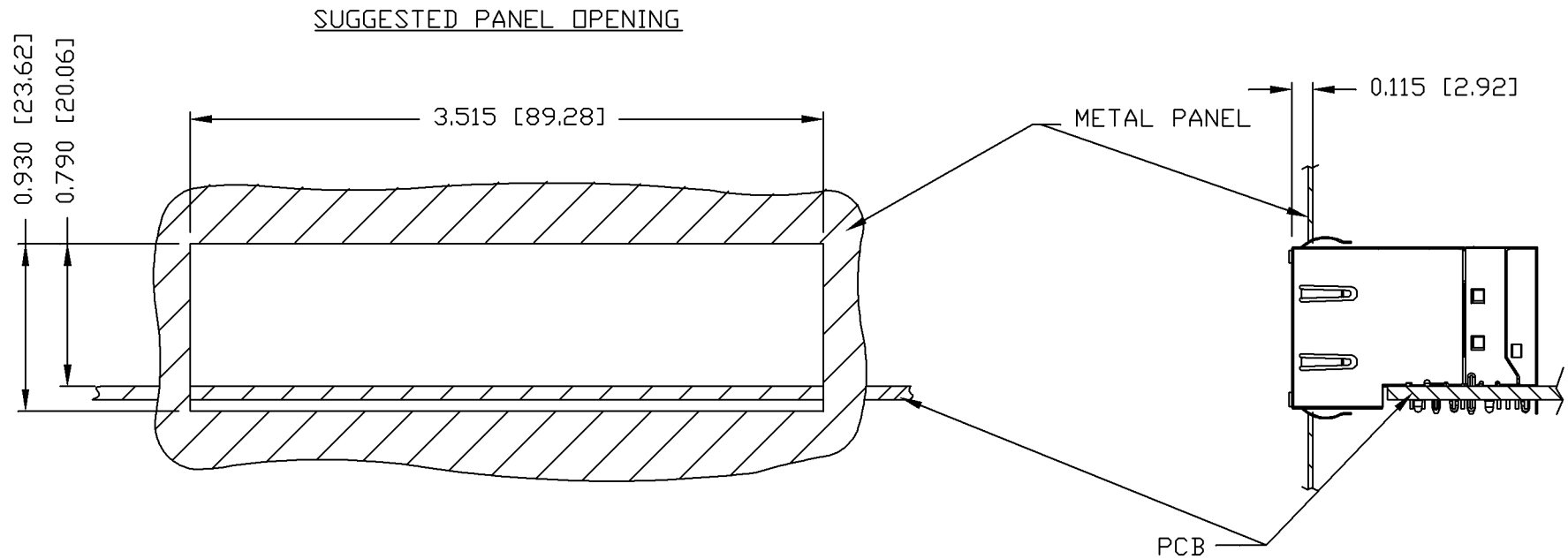
STANDARD DIM. TOL. IN INCH	
.X	
.XX	
.XXX	±0.004

[] METRIC DIM. AS REFERENCE	
UNIT : INCH [mm]	REV. : PC
SCALE : N/A	SIZE : A4
	PAGE : 5



THE INFORMATION CONTAINED HEREIN IS CONSIDERED "PROPRIETARY" TO BEL FUSE INC. AND SHALL NOT BE COPIED, REPRODUCED OR DISCLOSED WITHOUT THE WRITTEN APPROVAL OF BEL FUSE INC.

PRELIMINARY



NOTE:

THE DISTANCE OF PANEL INSIDE SURFACE RELATIVE TO FRONT SURFACE OF PART IS ONLY A SUGGESTION. IN CASE THIS DISTANCE IS DIFFERENT, THE REQUIRED PANEL OPENING DIMENSIONS CHANGE ACCORDINGLY.

PACKING INFORMATION

PACKING TRAY : 0200-9999-H1 (TOP)

0200-9999-H2 (BOTTOM)

PACKING QUANTITY : 18 PCS FINISHED GOODS PER TRAY.

6 TRAYS (108 PCS FINISHED GOODS) PER CARTON BOX.

NOTE : CARDBOARDS ARE PLACED BETWEEN LAYERS OF PACKING TRAY INSIDE CARTON BOX.

(INCLUDE THE UPPERMOST AND LOWERMOST TRAY)

ORIGINATED BY HOWFAR WEI	DATE 01-13-09	TITLE 2X6 MagJack® (COMPRESSOR SERIES)	PART NO. / DRAWING NO. C850-2C6R-M9		STANDARD DIM. TOL. IN INCH		[] METRIC DIM. AS REFERENCE		bel COMPONENTS FOR A CONNECTED PLANET
	DRAWN BY JOLLY LUO		DATE 01-13-09	FILE NAME C850-2C6R-M9_PC.DWG	.X .XX .XXX	±0.004	UNIT : INCH [mm] SCALE : N/A	REV. : PC SIZE : A4 PAGE : 6	