

THE INFORMATION CONTAINED HEREIN IS CONSIDERED "PROPRIETARY" TO BEL FUSE INC. AND SHALL NOT BE COPIED, REPRODUCED OR DISCLOSED WITHOUT THE WRITTEN APPROVAL OF BEL FUSE INC.

PRELIMINARY



LED2 & LED4 POLARITY			LED1 & LED3 POLARITY		
PIN 11	PIN 12	COLOR	PIN 13	PIN 14	COLOR
+	-	GREEN	+	-	GREEN
-	+	ORANGE	-	+	ORANGE

ELECTRICAL CHARACTERISTICS @ 25°C

URNS RATIO

TP1	1CT : 1CT ±2%
TP2	1CT : 1CT ±2%
TP3	1CT : 1CT ±2%
TP4	1CT : 1CT ±2%

OCL @ 100kHz/100mVRMS

8mA DC BIAS 350µH MIN.

INS. LOSS

0.1MHz TO 1MHz	-1.1 dB MAX
1MHz TO 65MHz	-0.5 dB MAX
65MHz TO 100MHz	-0.8 dB MAX
100MHz TO 125MHz	-1.2 dB MAX

RET. LOSS (MIN)

0.5MHz-40MHz	-18 dB
40MHz-100MHz	-12+20LOG(f/80MHz) dB

CM TO CM REJ

100kHz - 100MHz -30 dB MIN

CM TO DM REJ

100kHz - 100MHz -35 dB MIN

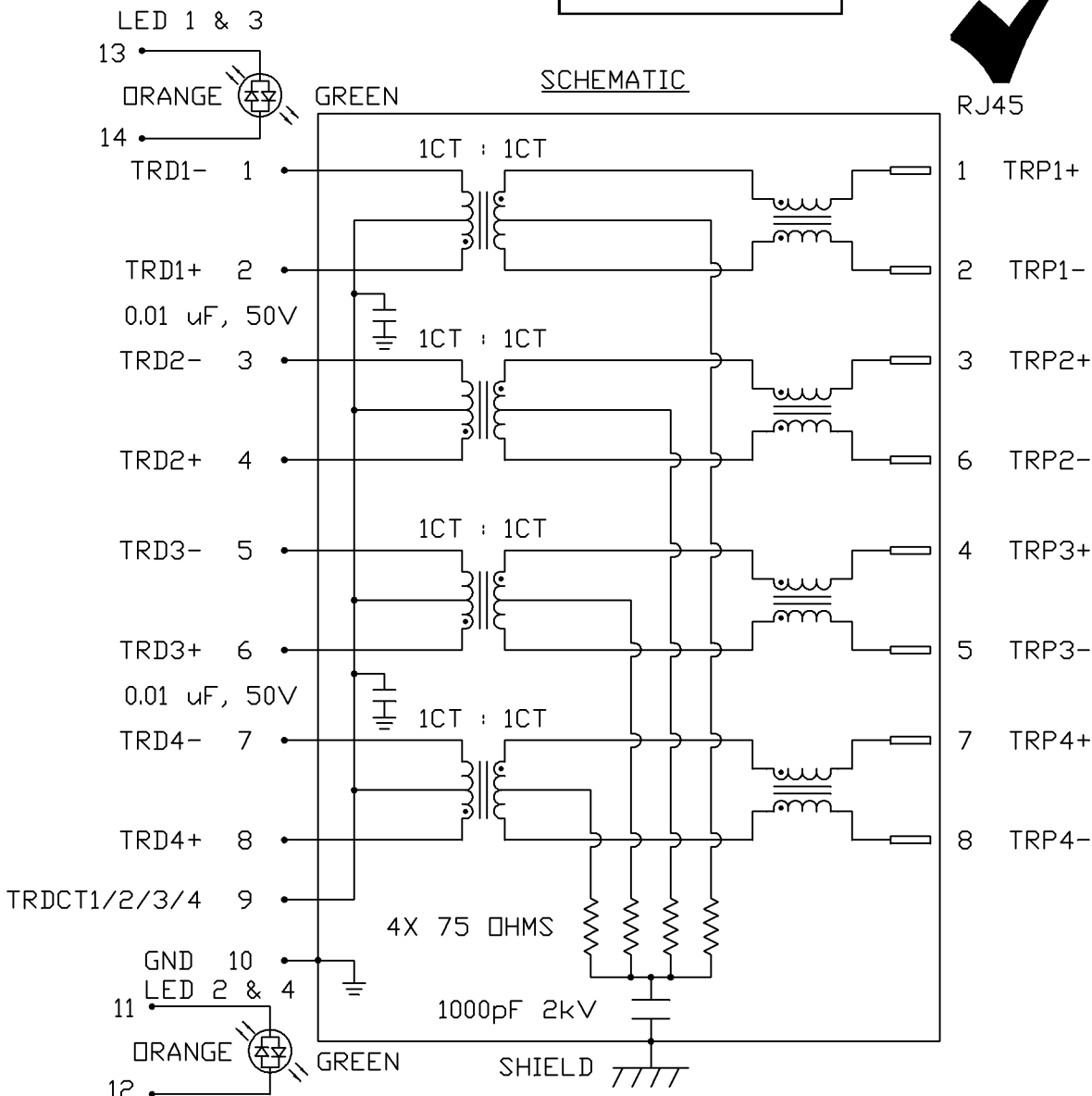
HIPOT (Isolation Voltage):

1500 Vrms

100% OF PRODUCTION TESTED TO COMPLY WITH IEEE 802.3 ISOLATION REQUIREMENTS.

LED 1,2,3&4.

VF (FORWARD VOLTAGE)	IF=20mA	GREEN 2.2V TYP.
		ORANGE 2.0V TYP.
λD (DOMINANT WAVELENGTH)	IF=20mA	GREEN 565nm TYP.
		ORANGE 610nm TYP.



ORIGINATED BY	DATE	TITLE
CHOW WANCHUNG	01-10-09	2X4 gigabit MagJack® COMPRESSOR SERIES (8 Cores)
DRAWN BY	DATE	
WEIDE LEE	01-10-09	

PART NO. / DRAWING NO.	STANDARD DIM. TOL. IN INCH
C850-2B4R-C3	.X .XX .XXX
FILE NAME	
C850-2B4R-C3_PB.DWG	

[ ] METRIC DIM. AS REFERENCE	REV. : PB
UNIT : INCH [mm]	SIZE : A4
SCALE : N/A	PAGE : 2

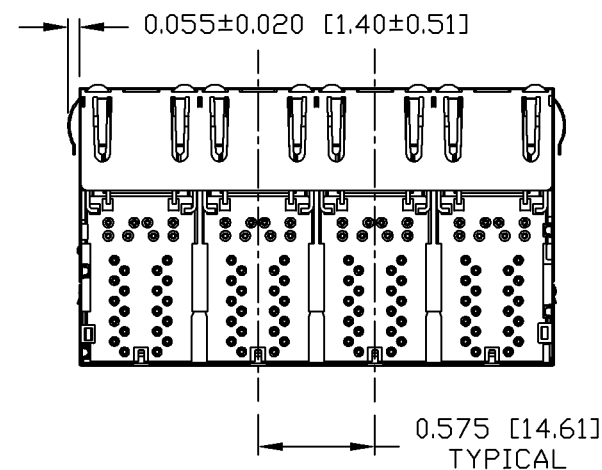
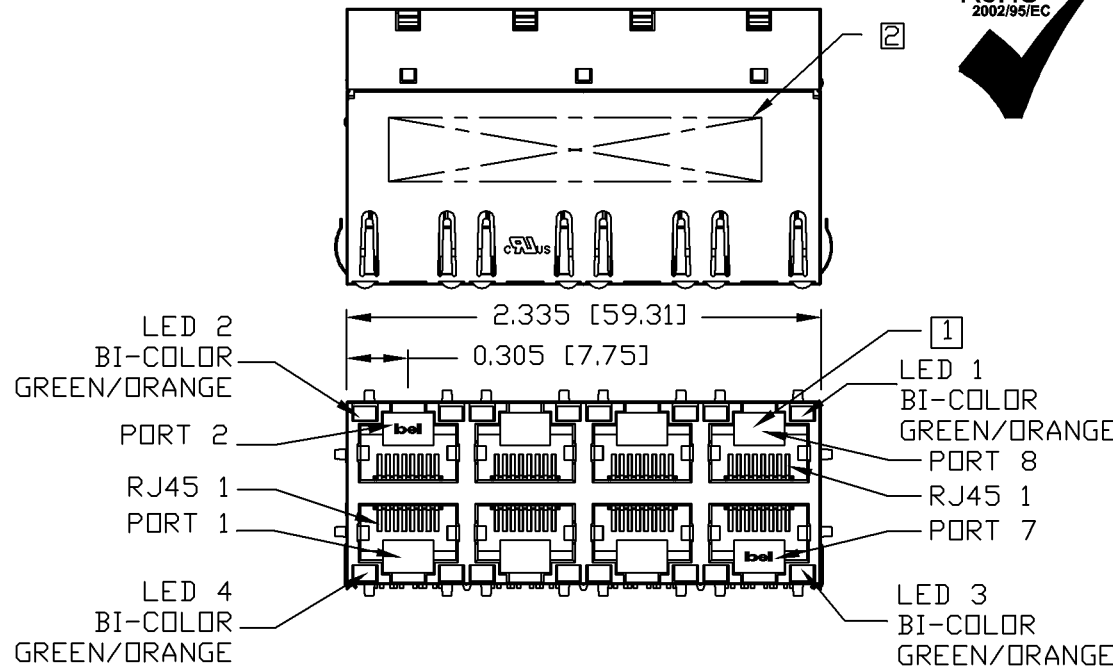
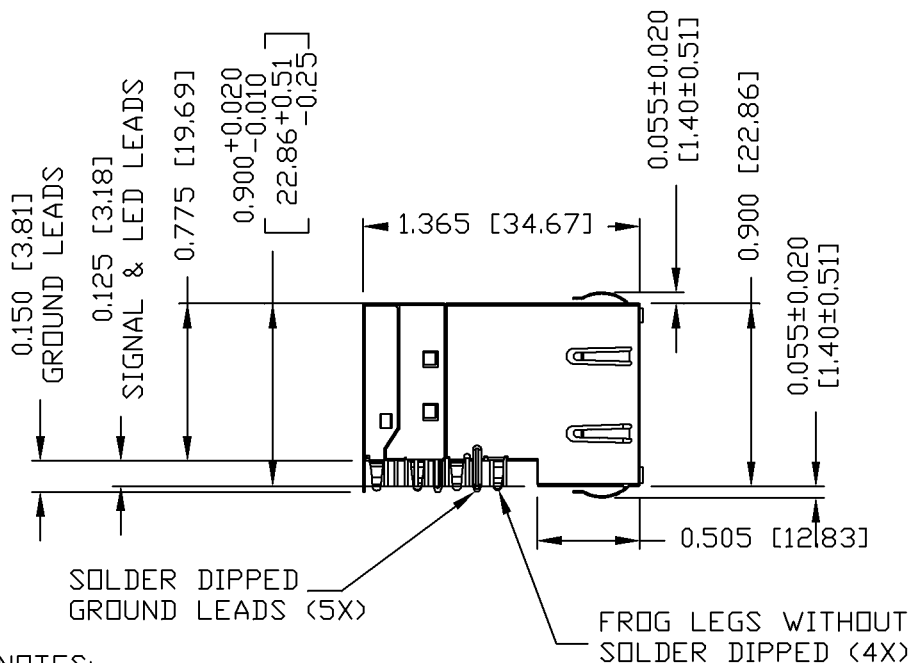
[ ] METRIC DIM. AS REFERENCE	
UNIT : INCH [mm]	REV. : PB
SCALE : N/A	SIZE : A4
PAGE : 2	



THE INFORMATION CONTAINED HEREIN IS CONSIDERED "PROPRIETARY" TO BEL FUSE INC. AND SHALL NOT BE COPIED, REPRODUCED OR DISCLOSED WITHOUT THE WRITTEN APPROVAL OF BEL FUSE INC.

PRELIMINARY

RoHS  
2002/95/EC



NOTES:

- PLASTIC HOUSING: THERMOPLASTIC PBT  
FLAMMABILITY RATING UL 94V-0
- CONTACT PLATING: 50 MICRO-INCH HARD GOLD PLATING
- OUTPUT PINS: TIN-COATED COPPER WIRE, DIA 0.018 INCH.
- METAL SHIELD: NICKEL PLATED ON COPPER ALLOY.  
(ALL GROUND LEADS ARE SOLDER DIPPED)  
FROG LEGS ARE FOR PCB RETENTION FORCE ONLY AND NOT FOR GROUNDING PURPOSE

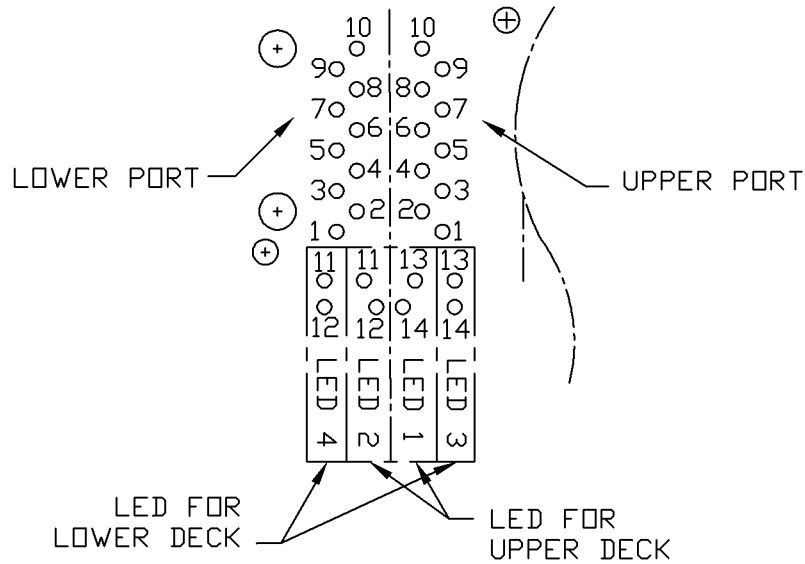
- 1. JACK CAVITY CONFORMS TO FCC RULES AND REGULATIONS, PART 68 SUBPART F.
- 2. MARK PART WITH MFG LOGO, MFG NAME, PART NUMBER, AND DATE CODE.

UL RECOGNIZED - FILE #E196366 AND E169987.  
RoHS COMPLIANCE, PER EU DIRECTIVE 2002/95/EC.

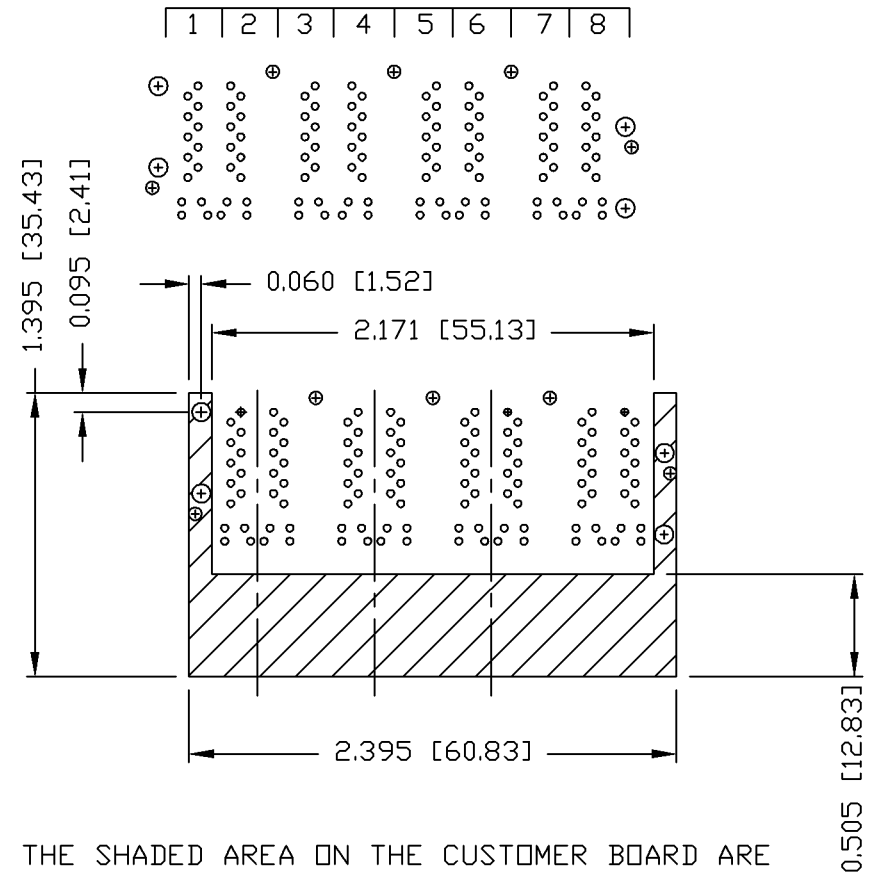
ORIGINATED BY	DATE	TITLE	PART NO. / DRAWING NO.	STANDARD DIM. TOL. IN INCH		[ ] METRIC DIM. AS REFERENCE		REV. : PB	bel	
				.X		UNIT : INCH [mm]	SCALE : N/A			SIZE : A4
HOWFAR WEI	01-10-09	2X4 gigabit MagJack® COMPRESSOR SERIES (8 Cores)	C850-2B4R-C3	.XX					COMPONENTS FOR A CONNECTED PLANET	
DRAWN BY	DATE			FILE NAME	.XXX	±0.010				PAGE : 3
JOLLY LUO	01-10-09			C850-2B4R-C3_PB.DWG						

THE INFORMATION CONTAINED HEREIN IS CONSIDERED 'PROPRIETARY' TO BEL FUSE INC. AND SHALL NOT BE COPIED, REPRODUCED OR DISCLOSED WITHOUT THE WRITTEN APPROVAL OF BEL FUSE INC.

PRELIMINARY



PORT ASSIGNMENT  
(COMPONENT SIDE VIEW)



PIN-OUT INFORMATION  
(COMPONENT SIDE VIEW)

14	GREEN(-) ORANGE(+)
13	GREEN(+) ORANGE(-)
12	GREEN(-) ORANGE(+)
11	GREEN(+) ORANGE(-)
10	GND
9	TRDCT1/2/3/4
8	TRD 4+
7	TRD 4-
6	TRD 3+
5	TRD 3-
4	TRD 2+
3	TRD 2-
2	TRD 1+
1	TRD 1-

THE SHADED AREA ON THE CUSTOMER BOARD ARE RECOMMENDED TO BE CLEAR OFF ANY VIA HOLE OR COMPONENT PAD.

ORIGINATED BY	DATE
HOWFAR WEI	01-10-09
DRAWN BY	DATE
JOLLY LUO	01-10-09

TITLE
2X4 gigabit MagJack® COMPRESSOR SERIES (8 Cores)

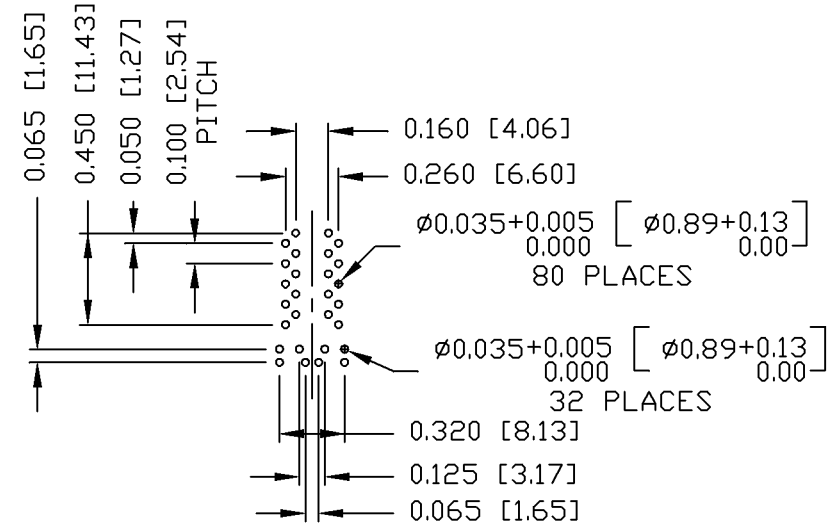
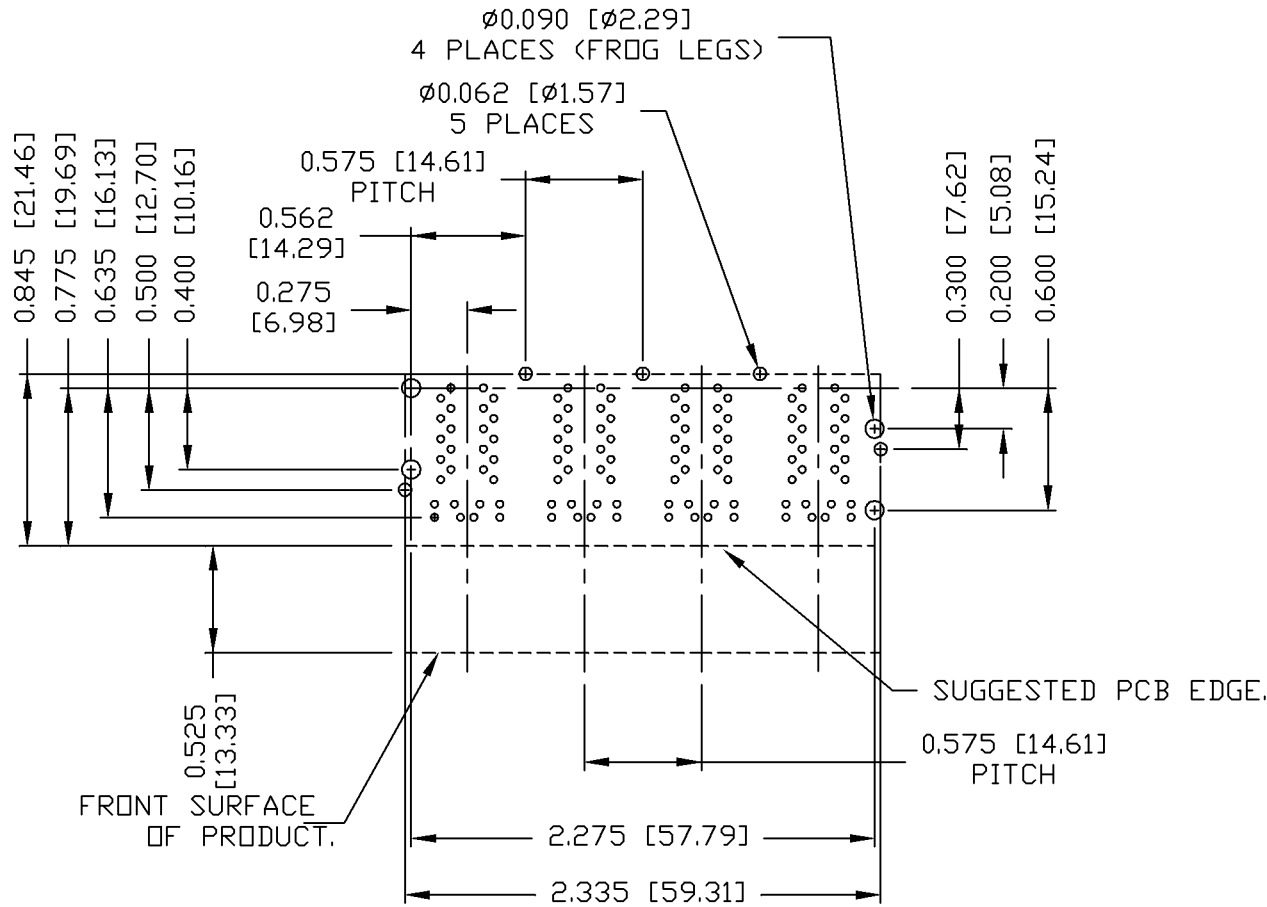
PART NO. / DRAWING NO.
C850-2B4R-C3
FILE NAME
C850-2B4R-C3_PB.DWG

STANDARD DIM.	[ ] METRIC DIM. AS REFERENCE
TOL. IN INCH	UNIT : INCH [mm]
.X	REV. : PB
.XX	SCALE : N/A
.XXX	SIZE : A4
±0.004	PAGE : 4



THE INFORMATION CONTAINED HEREIN IS CONSIDERED "PROPRIETARY" TO BEL FUSE INC. AND SHALL NOT BE COPIED, REPRODUCED OR DISCLOSED WITHOUT THE WRITTEN APPROVAL OF BEL FUSE INC.

PRELIMINARY



(COMPONENT SIDE VIEW)

SUGGESTED FOOTPRINT

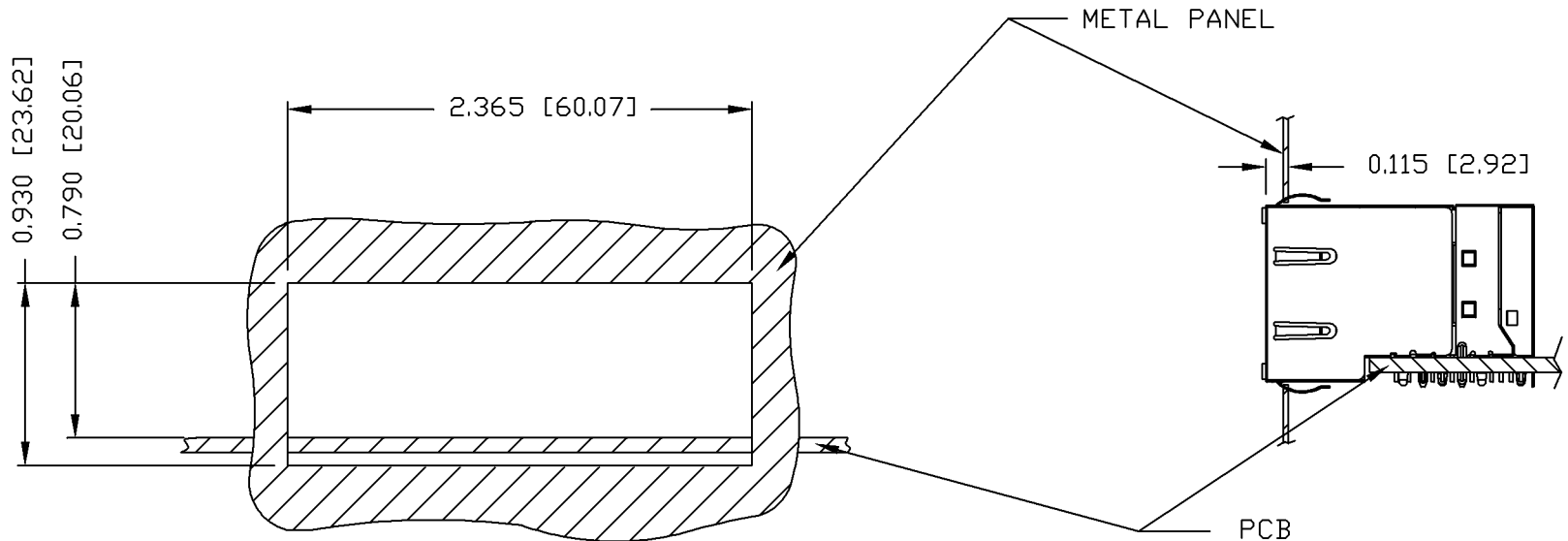
ORIGINATED BY HOWFAR WEI	DATE 01-10-09	TITLE 2X4 gigabit MagJack® COMPRESSOR SERIES (8 Cores)	PART NO. / DRAWING NO. C850-2B4R-C3		STANDARD DIM. TOL. IN INCH		[ ] METRIC DIM. AS REFERENCE	
	DRAWN BY JOLLY LUO		DATE 01-10-09	FILE NAME C850-2B4R-C3_PB.DWG		.X .XX .XXX	±0.004	UNIT : INCH [mm]
						SCALE : N/A		SIZE : A4
						PAGE : 5		 COMPONENTS FOR A CONNECTED PLANET

THE INFORMATION CONTAINED HEREIN IS CONSIDERED "PROPRIETARY" TO BEL FUSE INC. AND SHALL NOT BE COPIED, REPRODUCED OR DISCLOSED WITHOUT THE WRITTEN APPROVAL OF BEL FUSE INC.

PRELIMINARY



SUGGESTED PANEL OPENING



NOTE:

THE DISTANCE OF PANEL INSIDE SURFACE RELATIVE TO FRONT SURFACE OF PART IS ONLY A SUGGESTION. IN CASE THIS DISTANCE IS DIFFERENT, THE REQUIRED PANEL OPENING DIMENSIONS CHANGE ACCORDINGLY.

PACKING INFORMATION

PACKING TRAY : 0200-9999-L1 (TOP)  
 0200-9999-L2 (BOTTOM)  
 PACKING QUANTITY : 20 PCS FINISHED GOODS PER TRAY.  
 6 TRAYS (120 PCS FINISHED GOODS) PER CARTON BOX.

NOTE : CARDBOARDS ARE PLACED BETWEEN LAYERS OF PACKING TRAY INSIDE CARTON BOX.  
 (INCLUDE THE UPPERMOST AND LOWERMOST TRAY)

ORIGINATED BY HOWFAR WEI	DATE 01-10-09	TITLE 2X4 gigabit MagJack® COMPRESSOR SERIES (8 Cores)	PART NO. / DRAWING NO. C850-2B4R-C3	STANDARD DIM. TOL. IN INCH		[ ] METRIC DIM. AS REFERENCE		bel COMPONENTS FOR A CONNECTED PLANET
	DRAWN BY JOLLY LUO			DATE 01-10-09	FILE NAME C850-2B4R-C3_PB.DWG	.X .XX .XXX	±0.004	