

THE INFORMATION CONTAINED HEREIN IS CONSIDERED "PROPRIETARY" TO BEL FUSE INC. AND SHALL NOT BE COPIED, REPRODUCED OR DISCLOSED WITHOUT THE WRITTEN APPROVAL OF BEL FUSE INC.

RoHS
2002/95/EC



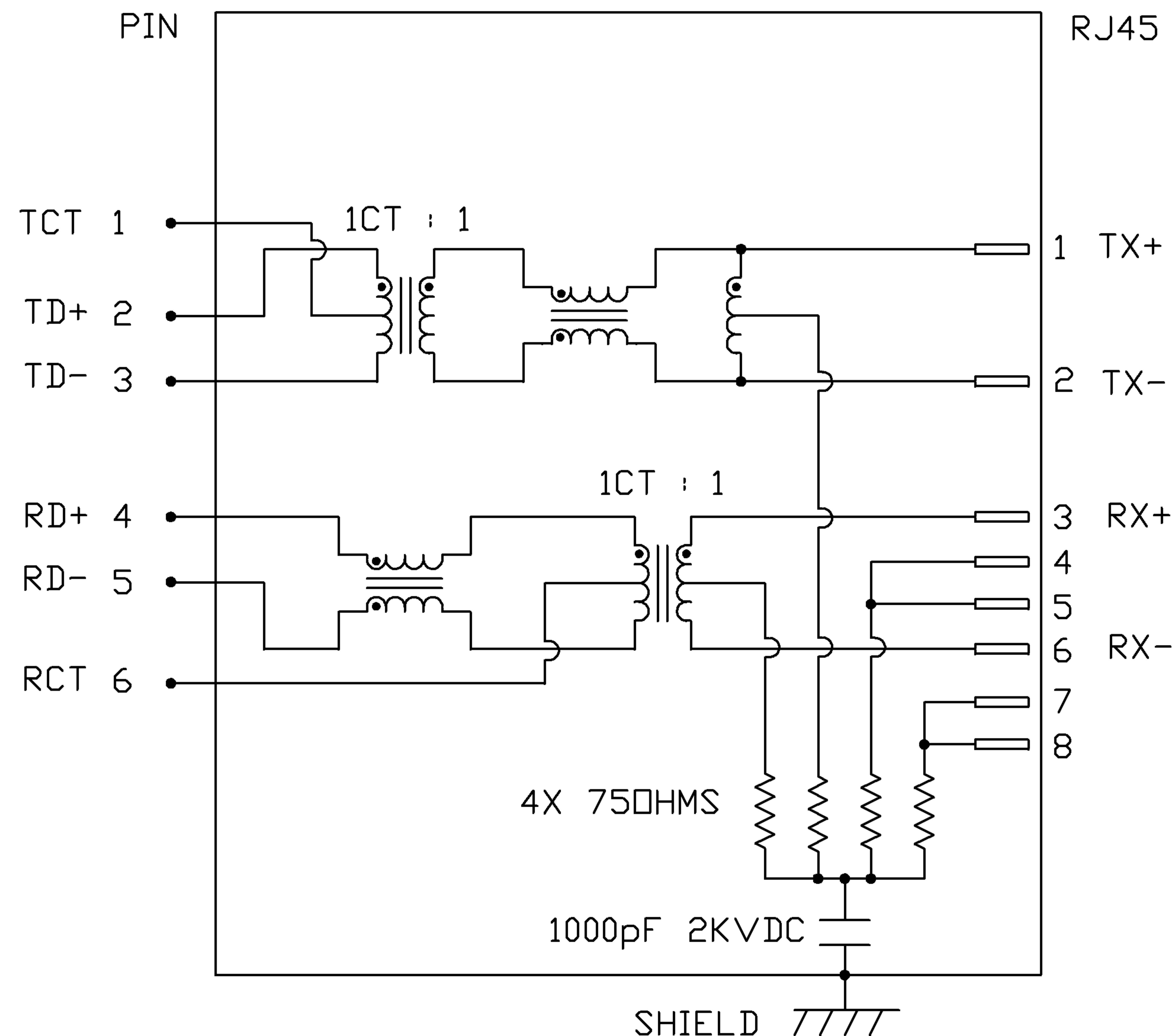
ELECTRICAL CHARACTERISTICS @ 25°C

TURNS RATIO

TX	1CT : 1
RX	1CT : 1
QCL @ 100kHz/100mVRMS	350μH MIN.
8mA DC BIAS	
INS. LOSS	
1MHz TO 100MHz	-1.0 dB MAX
RET. LOSS (MIN)	
1MHz-30MHz	-18 dB
30MHz-60MHz	-18+20LOG(F/30MHz) dB
60MHz-80MHz	-12 dB
CROSS TALK (TX - RX)	
500kHz - 100 MHz	-35 dB MIN
CM TO CM REJ	
100kHz - 100 MHz	-30 dB MIN
CM TO DM REJ	
100kHz - 100 MHz	-40 dB MIN
HIPOT (Isolation Voltage):	1500 Vrms

100% OF PRODUCTION TESTED TO COMPLY WITH IEEE 802.3 ISOLATION REQUIREMENTS.

SCHEMATIC



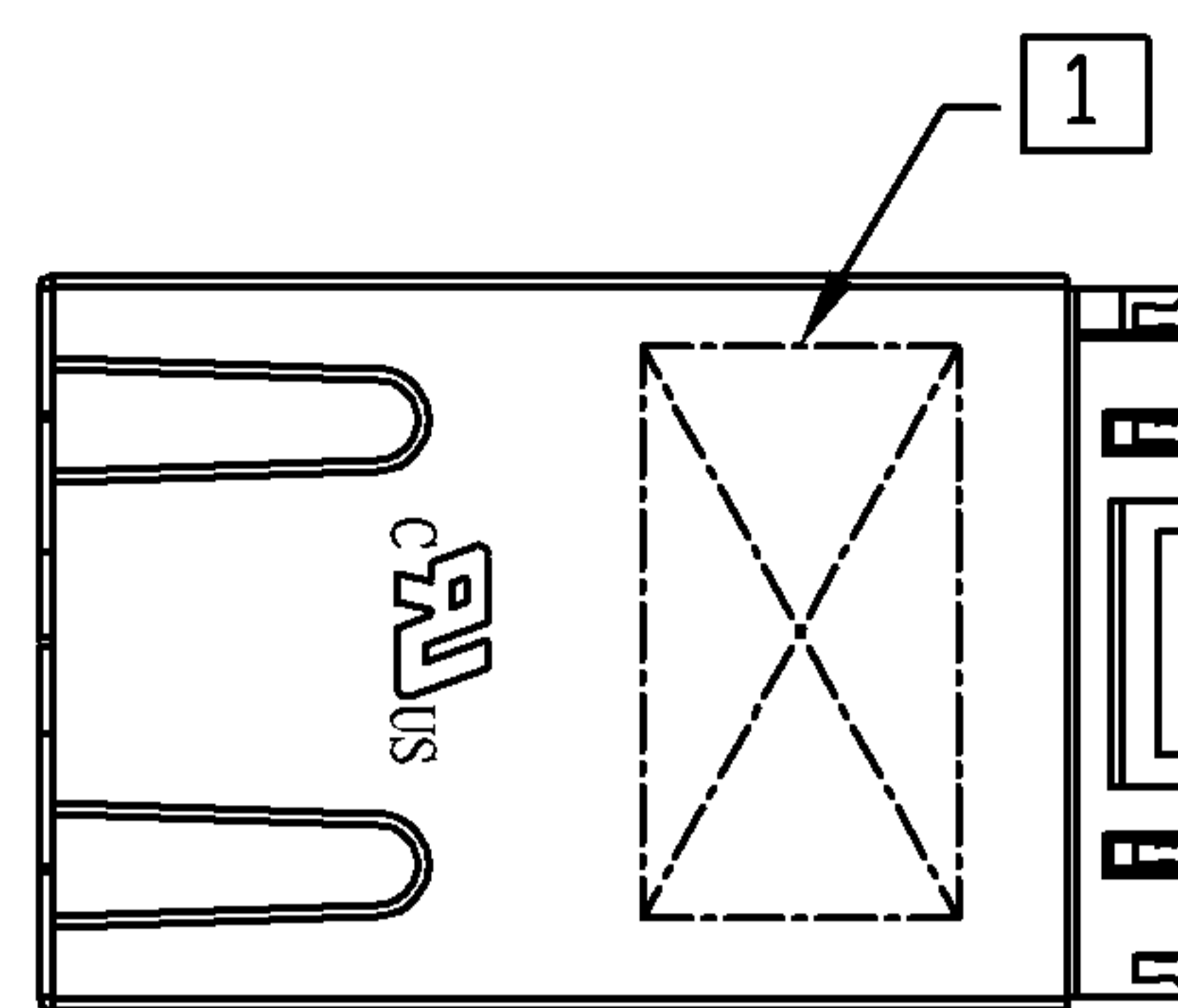
ORIGINATED BY CHOW WANCHUNG	DATE 08-04-08	TITLE MagJack ® without LED (CM Termination) 08B1-1XX1-03-F	PART NO. / DRAWING NO. 08B11XX103-F	STANDARD DIM. TOL. IN INCH	[] METRIC DIM. AS REFERENCE	 COMPONENTS FOR A CONNECTED PLANET
DRAWN BY LI YONGFENG	DATE 08-04-08		FILE NAME 08B11XX103-F_C.DWG	.X	UNIT : INCH [mm]	
			.XX	SCALE : N/A	SIZE : A4	
			.XXX		PAGE : 2	

THE INFORMATION CONTAINED HEREIN IS CONSIDERED "PROPRIETARY" TO BEL FUSE INC. AND SHALL NOT BE COPIED, REPRODUCED OR DISCLOSED WITHOUT THE WRITTEN APPROVAL OF BEL FUSE INC.

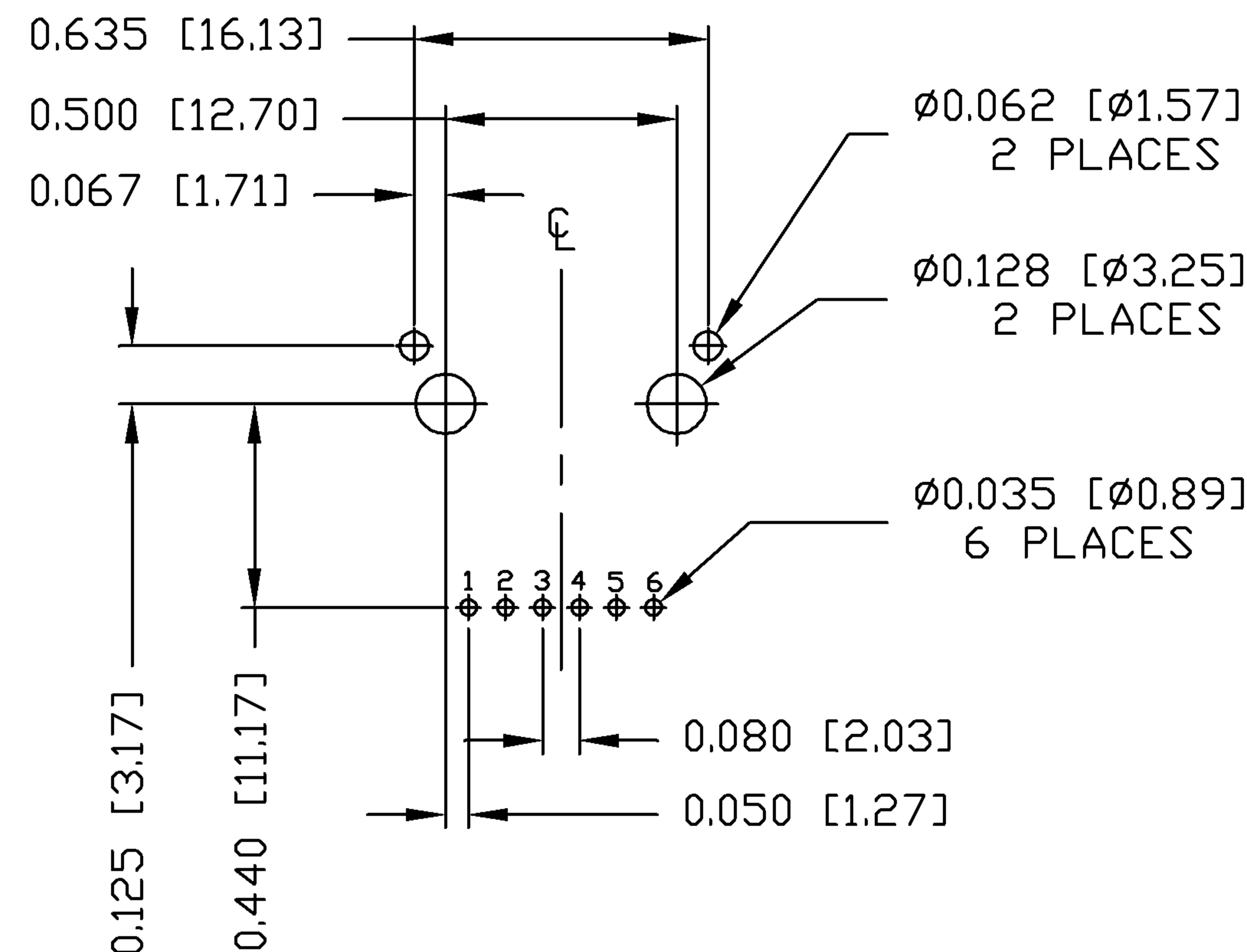
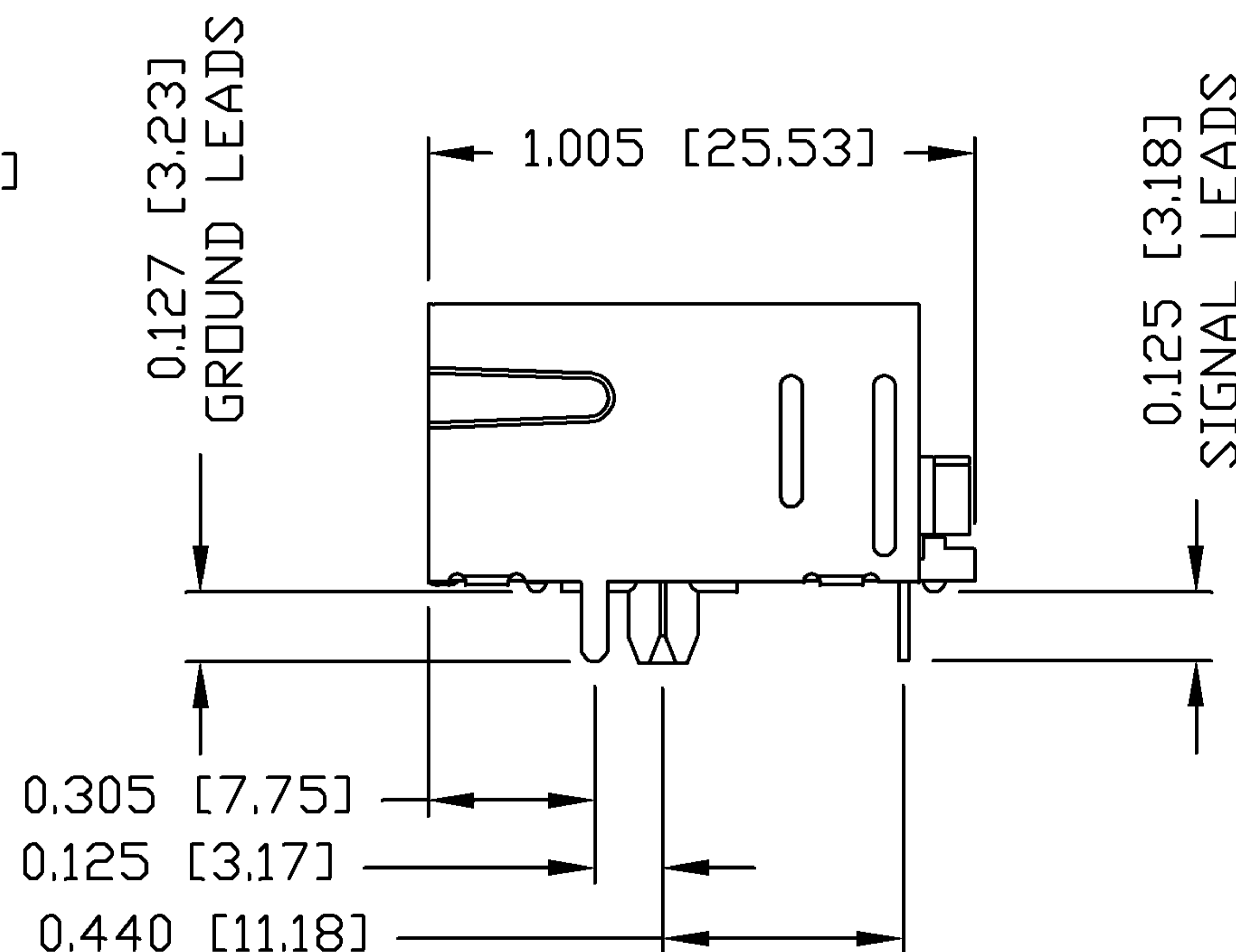
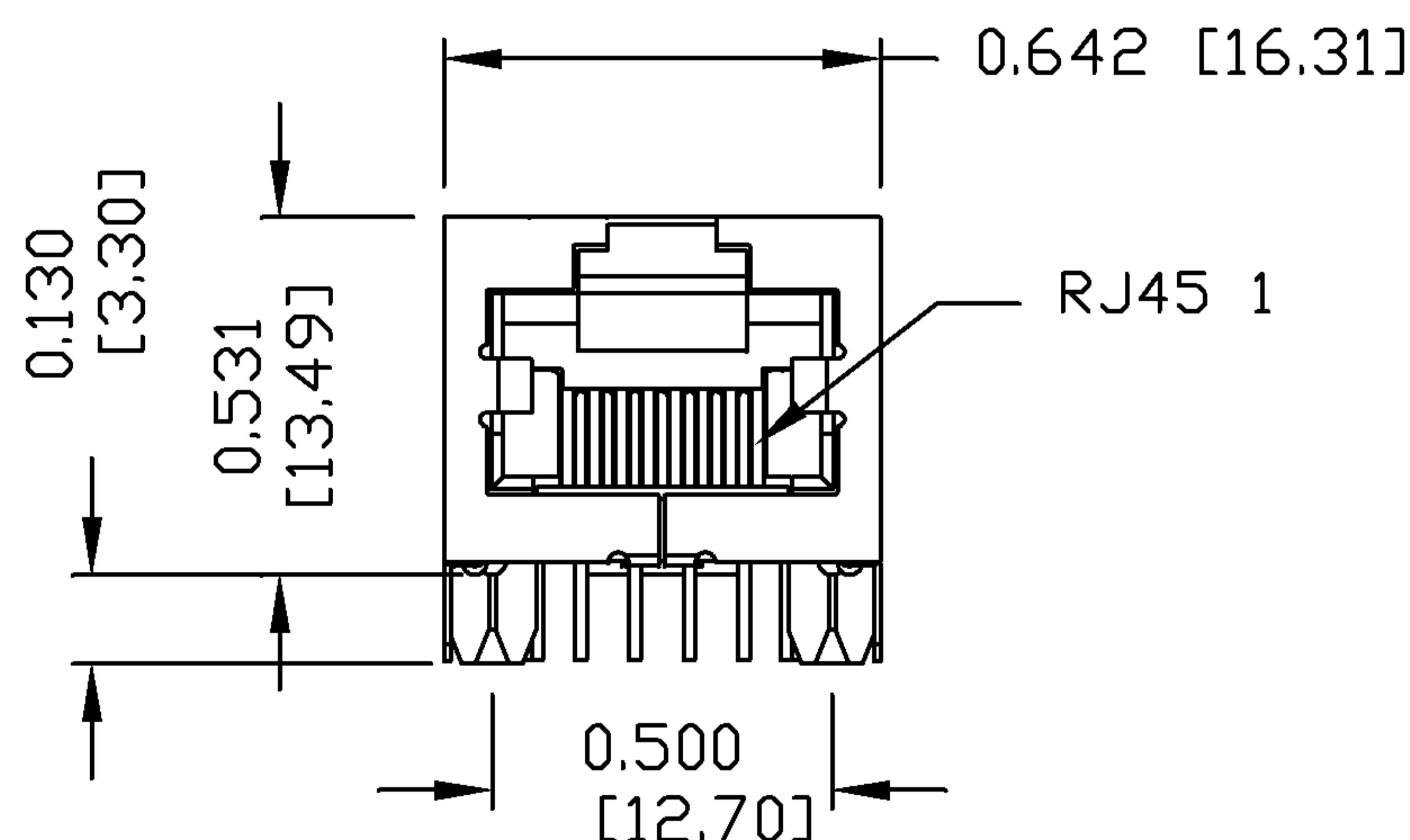
RoHS
2002/95/EC



MECHANICAL SPECIFICATION



RECOMMENDED PCB FOOTPRINT
COMPONENT SIDE VIEW



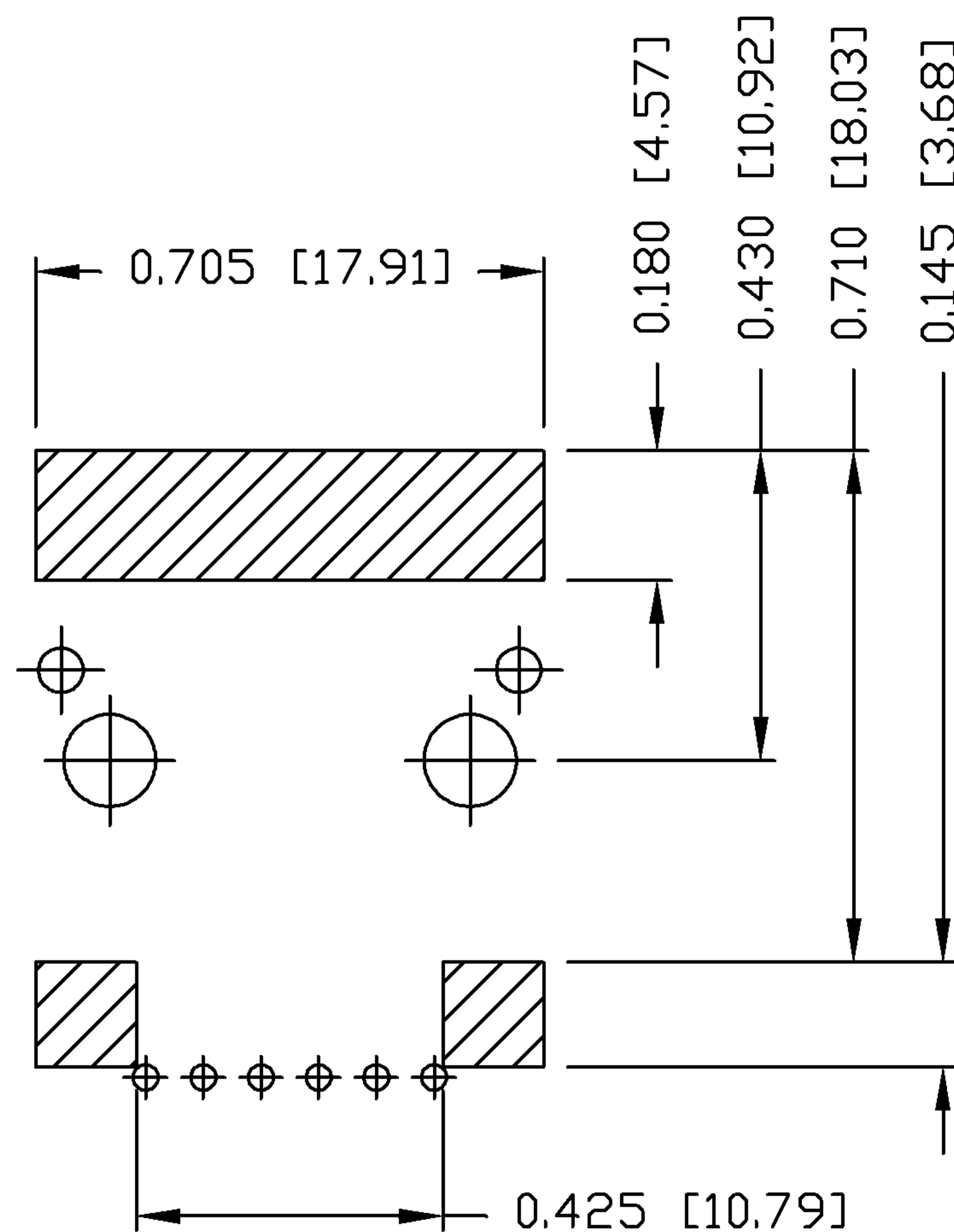
NOTES:

- PLASTIC HOUSING: THERMOPLASTIC PBT
FLAMMABILITY RATING UL 94V-0
- CONTACTS PLATING: 15 MICRO-INCH HARD GOLD PLATING
- PINS: TIN-COATED COPPER WIRE, DIA 0.018 INCH.
- METAL SHIELD: NICKEL PRE-PLATED ON COPPER ALLOY.
(ALL GROUND LEADS ARE SOLDER DIPPED)
- 1. MARK PART WITH MFG LOGO, MFG NAME, PART NUMBER, AND DATE CODE.
- 2. RoHS COMPLIANCE, PER EU DIRECTIVE 2002/95/EC.
- 3. JACK CAVITY CONFORMS TO FCC RULES AND REGULATIONS.

ORIGINATED BY LIU QIN	DATE 08-04-08	TITLE MagJack® without LED (CM Termination)	PART NO. / DRAWING NO. 08B11XX103-F	STANDARD DIM. TOL. IN INCH	[] METRIC DIM. AS REFERENCE	REV. : C	SIZE : A4	PAGE : 3	 COMPONENTS FOR A CONNECTED PLANET
DRAWN BY LU XUEPING	DATE 08-04-08		FILE NAME 08B11XX103-F_C.DWG	.X	UNIT : INCH [mm]				
			.XX	SCALE : N/A					
			.XXX	±0.010					

THE INFORMATION CONTAINED HEREIN IS CONSIDERED "PROPRIETARY" TO BEL FUSE INC. AND SHALL NOT BE COPIED, REPRODUCED OR DISCLOSED WITHOUT THE WRITTEN APPROVAL OF BEL FUSE INC.

RoHS
2002/95/EC



NOTES:

THE SHADED AREA ON THE CUSTOMER BOARD ARE RECOMMENDED TO BE CLEAR OFF ANY VIA HOLE OR COMPONENT PAD.

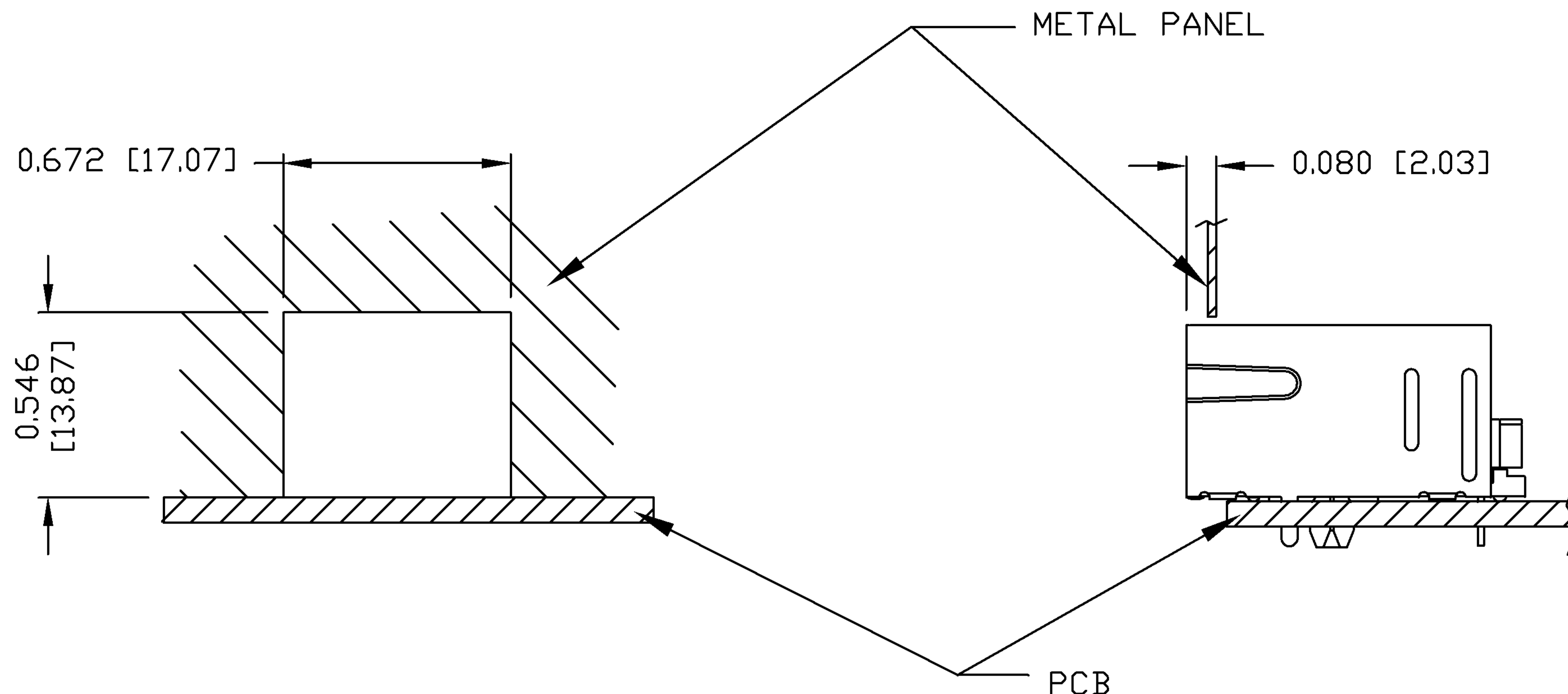
ORIGINATED BY LIU QIN	DATE 08-04-08	TITLE MagJack® without LED (CM Termination) 08B1-1XX1-03-F	PART NO. / DRAWING NO. 08B11XX103-F	STANDARD DIM. TOL. IN INCH .X .XX .XXX ±0.004	[] METRIC DIM. AS REFERENCE		 COMPONENTS FOR A CONNECTED PLANET
DRAWN BY LU XUEPING	DATE 08-04-08				FILE NAME 08B11XX103-F_C.DWG	UNIT : INCH [mm]	
				SCALE : N/A	PAGE : 4		

THE INFORMATION CONTAINED HEREIN IS CONSIDERED "PROPRIETARY" TO BEL FUSE INC. AND SHALL NOT BE COPIED, REPRODUCED OR DISCLOSED WITHOUT THE WRITTEN APPROVAL OF BEL FUSE INC.

RoHS
2002/95/EC



SUGGESTED PANEL OPENING



NOTE:

THE DISTANCE OF PANEL INSIDE SURFACE RELATIVE TO FRONT SURFACE OF PART IS ONLY A SUGGESTION. IN CASE THIS DISTANCE IS DIFFERENT, THE REQUIRED PANEL OPENING DIMENSIONS CHANGE ACCORDINGLY.

PACKING INFORMATION

PACKING TUBE : 0200-0149-01

PACKING QUANTITY : 30 PCS FINISHED GOODS PER TUBE

20 TUBES (600 PCS FINISHED GOODS) PER CARTON BOX

ORIGINATED BY LIU QIN	DATE 08-04-08	TITLE MagJack® without LED (CM Termination)	PART NO. / DRAWING NO. 08B11XX103-F	STANDARD DIM. TOL. IN INCH		[] METRIC DIM. AS REFERENCE		REV. : C	bel
	DRAWN BY LU XUEPING			DATE 08-04-08	FILE NAME 08B11XX103-F_C.DWG	.X			
				.XX		SCALE : N/A			
				.XXX	±0.004			PAGE : 5	COMPONENTS FOR A CONNECTED PLANET