



Rail-to-Rail I/O, High-Slew-Rate OP Amp

Features

- +2.2V to +5.5V Single-Supply Operation
- Input / Output Rail-to-Rail
- Low input current
- High output driving capacity
- Low Quiescent Current: 500µA @ 5V
- High Slew rate 6.5V/µs
- High Gain-Bandwidth Product 6.5MHz
- High Open Loop Gain 95dB
- High PSRR 70dB

Applications

- Headphone Driver
- Portable Equipment
- Battery-Powered Equipment
- Multimedia Audio
- ASIC Input or Output Amplifier
- Sensor Amplifier
- Low Power/Low Voltage Applications

General Description

G1211 is a input/output rail-to-rail Operational Amplifier. It can be operated from +2.2V to +5.5V single supply or from ±1.1V to ±2.75 dual supply. G1211 can drive 66mA into resistor loads to within 10% power rail. AC performance is very excellent with 6.5MHz bandwidth, 6.5V/µs Slew Rate, 95dB open loop gain, 60 degree phase margin and low distortion.

Supply current of G1211 is only 500µA per Amplifier. It is very suitable for low current consumption applications to control high current loads. Applications include audio amplification for computers, sound ports, sound cards and set-top boxes.

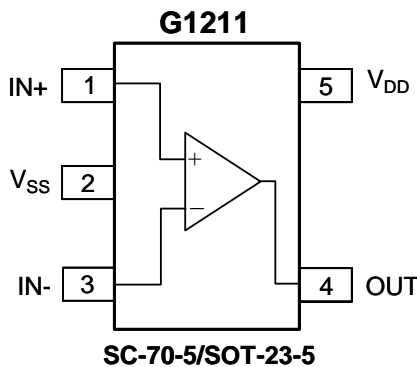
G1211 is housed in a 5-pin small SOT-23-5 and SC-70-5 (SOT-353) package.

Ordering Information

ORDER NUMBER (Pb free/Green)	MARKING	TEMP. RANGE	PACKAGE
G1211TAUf	11XX	-40°C to 85°C	SC-70-5 (SOT-353)
G1211T1Uf	1211X	-40°C to 85°C	SOT-23-5

Note:T1: SOT-23-5 TA: SC-70-5 (SOT-353)
U: Tape & Reel

Pin Configuration



Typical Application Circuit

