

THE INFORMATION CONTAINED HEREIN IS CONSIDERED "PROPRIETARY" TO BEL FUSE INC. AND SHALL NOT BE COPIED, REPRODUCED OR DISCLOSED WITHOUT THE WRITTEN APPROVAL OF BEL FUSE INC.

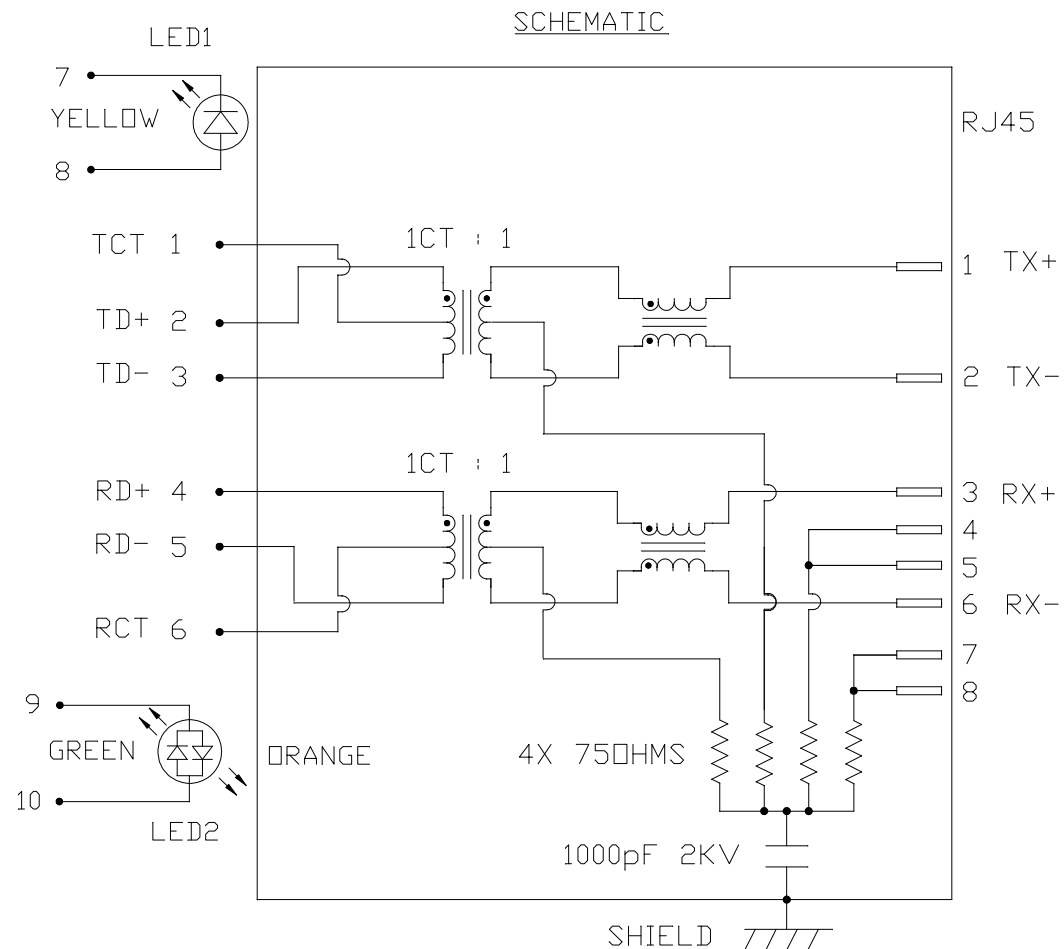


LED1 POLARITY			LED2 POLARITY		
PIN 7	PIN 8	COLOR	PIN 9	PIN 10	COLOR
-	+	YELLOW	-	+	GREEN
			+	-	ORANGE

ELECTRICAL CHARACTERISTICS @ 25°C

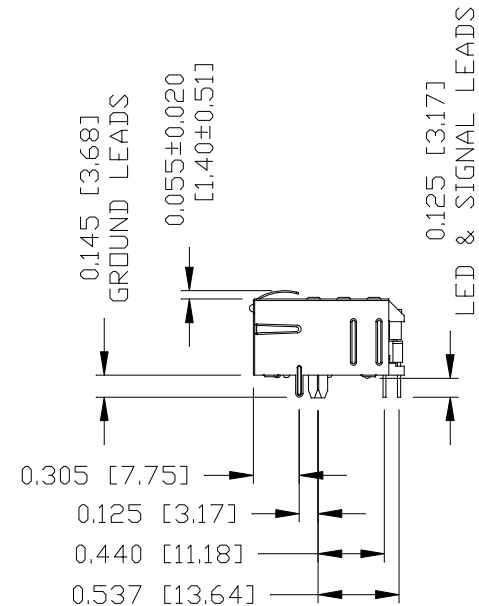
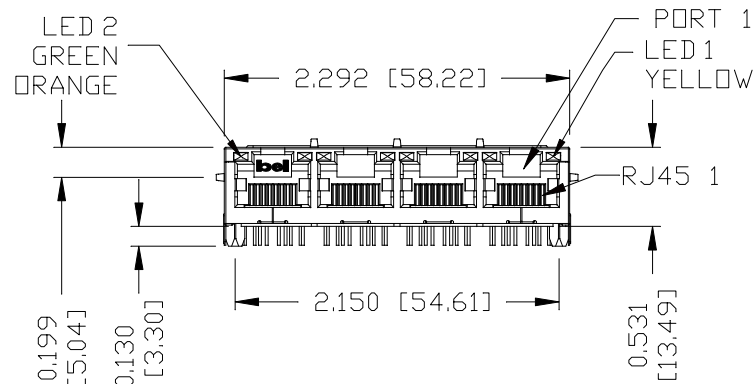
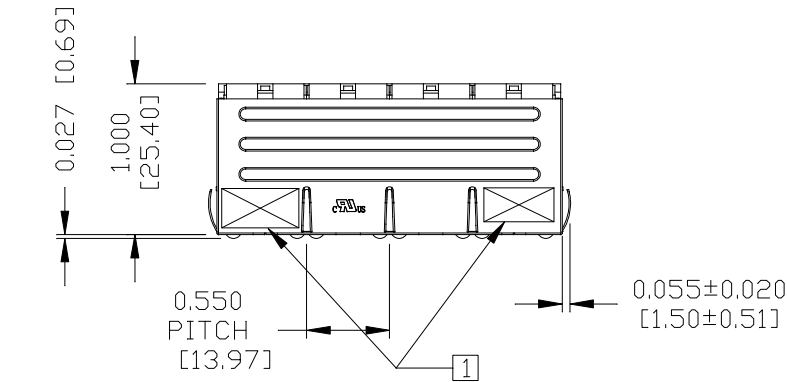
TURNS RATIO  
 TX 1CT : 1  
 RX 1CT : 1  
 OCL @ 100kHz/100mVRMS 8mA DC BIAS 350μH MIN.  
 INS. LOSS 1MHz TO 100MHZ -1.0 dB MAX  
 RET. LOSS (MIN) 1MHz-30MHZ -18 dB  
 30MHz-60MHZ -18+20LOG(F/30MHZ) dB  
 60MHz-80MHZ -12 dB  
 CROSS TALK (TX - RX) 500kHz-100MHZ -35 dB MIN  
 CM TO CM REJ 100kHz-100MHZ -30 dB MIN  
 CM TO DM REJ 100kHz-100MHZ -40 dB MIN  
 HIPOT (Isolation Voltage): 1500 Vrms  
 100% OF PRODUCTION TESTED TO COMPLY WITH IEEE 802.3 ISOLATION REQUIREMENTS.  
 OPERATING TEMPERATURE: -40 TO +85°C

LED 1  
 VF (FORWARD VOLTAGE) IF=20mA YELLOW 2.1V TYP.  
 λD (DOMINANT WAVELENGTH) IF=20mA YELLOW 590nm TYP.  
 LED 2  
 VF (FORWARD VOLTAGE) IF=20mA ORANGE 2.0V TYP.  
 GREEN 2.2V TYP.  
 λD (DOMINANT WAVELENGTH) IF=20mA ORANGE 610nm TYP.  
 GREEN 565nm TYP.



ORIGINATED BY WCCHOW	DATE 10-31-07	TITLE 1X4 MagJack® (4 Cores, MDIX, CM Termination)	PART NO. / DRAWING NO. 08B01X4T36-F	STANDARD DIM. TOL. IN INCH	[ ] METRIC DIM. AS REFERENCE	 COMPONENTS OF A CONNECTED PLANET	
DRAWN BY WEIDE LEE	DATE 10-31-07	Ext,Temp 08B0-1X4T-36-F	FILE NAME 08B01X4T36-F_B.DWG	.X	UNIT : INCH [mm]		REV. : B
				.XX	SCALE : N/A		SIZE : A4
				.XXX			PAGE : 2

THE INFORMATION CONTAINED HEREIN IS CONSIDERED "PROPRIETARY" TO BEL FUSE INC. AND SHALL NOT BE COPIED, REPRODUCED OR DISCLOSED WITHOUT THE WRITTEN APPROVAL OF BEL FUSE INC.



**NOTES:**

- PLASTIC HOUSING: THERMOPLASTIC PBT  
FLAMMABILITY RATING UL 94V-0
- CONTACTS PLATING: 15 MICRO-INCH HARD GOLD PLATING
- PINS: TIN-COATED COPPER WIRE, DIA 0.018 INCH.
- METAL SHIELD: NICKEL PLATED ON COPPER ALLOY.  
(ALL GROUND LEADS ARE SOLDER DIPPED)

① MARK PART WITH MFG LOGO, MFG NAME, PART NUMBER, AND DATE CODE.

**UL** UL RECOGNIZED - FILE #E196366 AND E169987.  
RoHS COMPLIANT, PER EU DIRECTIVE 2002/95/EC  
JACK CAVITY CONFORMS TO FCC RULES AND REGULATIONS.

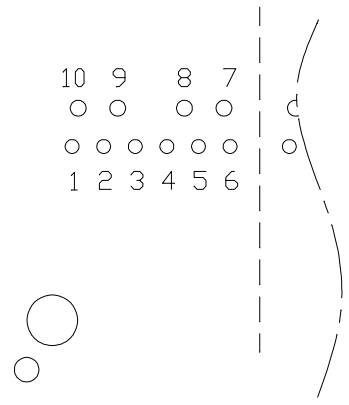
ORIGINATED BY BILL CHEN	DATE 10-31-07	TITLE 1X4 MagJack® (4 Cores, MDIX, CM Termination) Ext.Temp	PART NO. / DRAWING NO. 08B01X4T36-F	STANDARD DIM. TOL. IN INCH	[ ] METRIC DIM. AS REFERENCE
DRAWN BY QIN LIU	DATE 10-31-07	08B0-1X4T-36-F	FILE NAME 08B01X4T36-F_B.DWG	.X .XX .XXX ±0.010	UNIT : INCH [mm] REV. : B SCALE : N/A SIZE : A4 PAGE : 3



THE INFORMATION CONTAINED HEREIN IS CONSIDERED "PROPRIETARY" TO BEL FUSE INC. AND SHALL NOT BE COPIED, REPRODUCED OR DISCLOSED WITHOUT THE WRITTEN APPROVAL OF BEL FUSE INC.



PIN ASSIGNMENT - EACH PORT  
COMPONENT SIDE VIEW

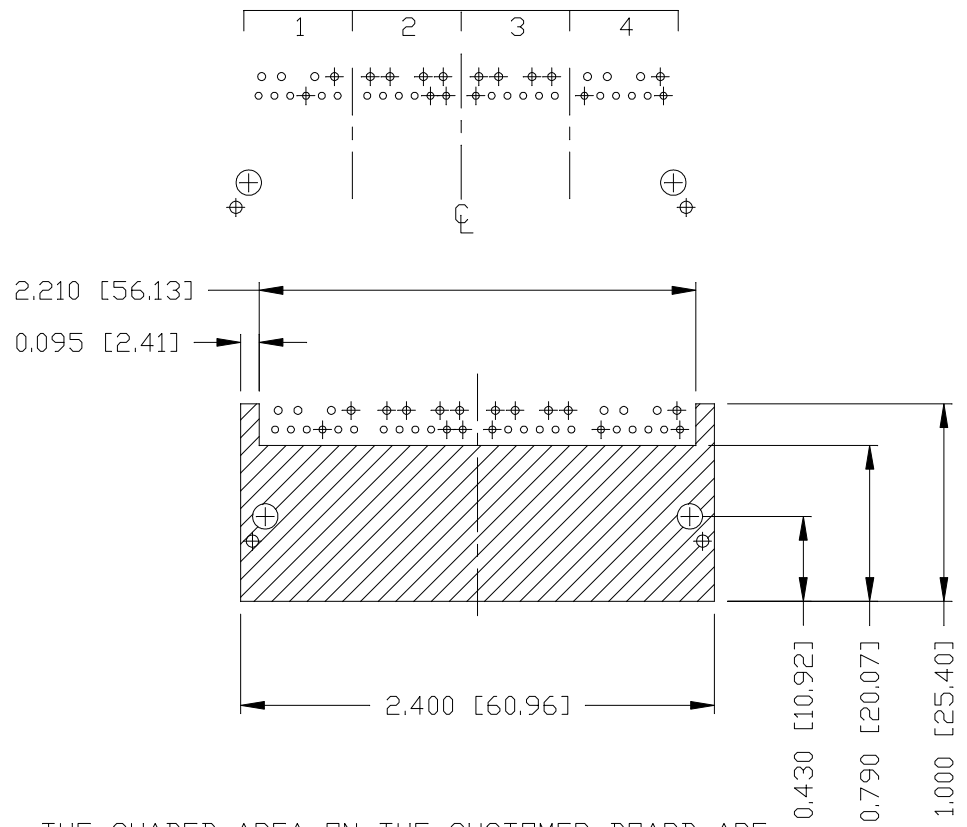


SCALE 2:1

PIN-OUT INFORMATION  
(COMPONENT SIDE VIEW)

10	GREEN (+)	ORANGE (-)
9	GREEN (-)	ORANGE (+)
8	YELLOW (+)	
7	YELLOW (-)	
6	RCT	
5	RD -	
4	RD +	
3	TD -	
2	TD +	
1	TCT	

RECOMMENDED PCB FOOTPRINT  
COMPONENT SIDE VIEW



THE SHADED AREA ON THE CUSTOMER BOARD ARE RECOMMENDED TO BE CLEAR OFF ANY VIA HOLE OR COMPONENT PAD.

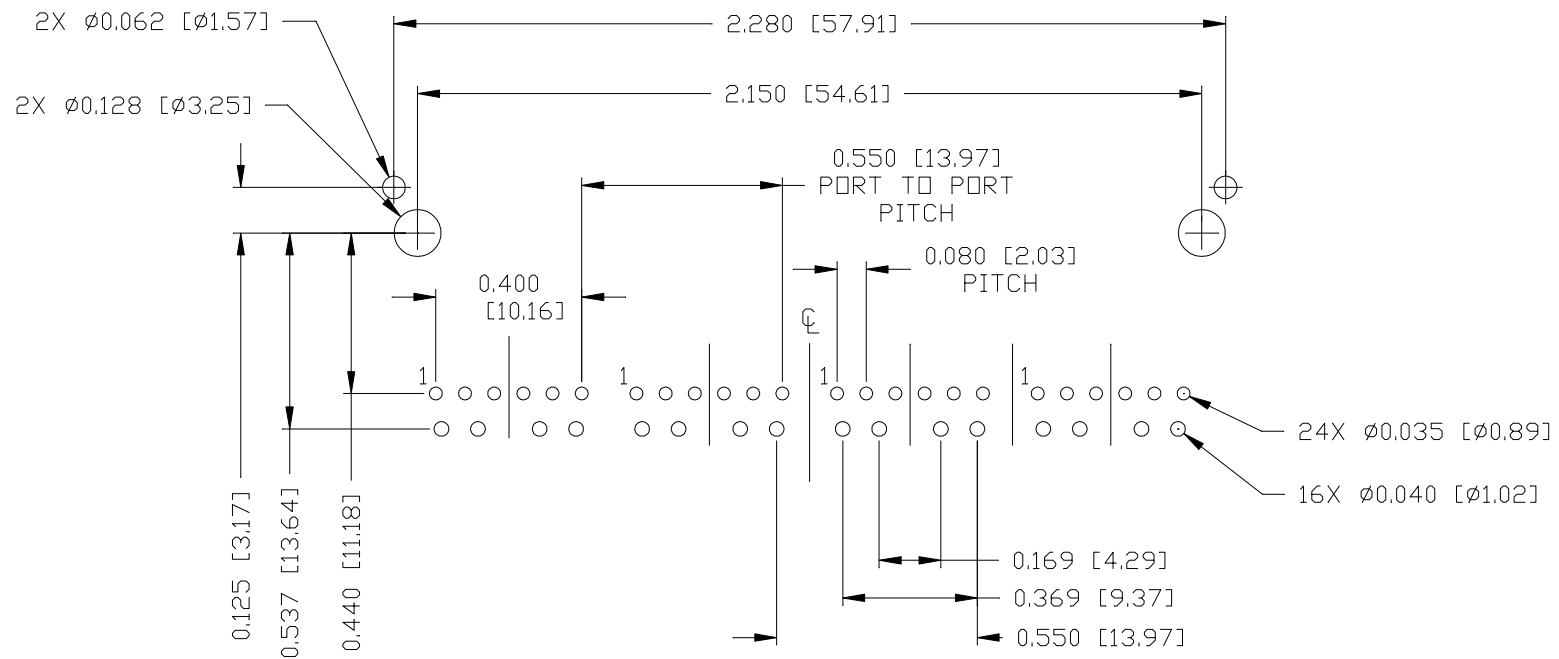
ORIGINATED BY BILL CHEN	DATE 10-31-07	TITLE MagJack® (4 Cores, MDIX, CM Termination) Ext,Temp	PART NO. / DRAWING NO. 08B01X4T36-F	STANDARD DIM. TOL. IN INCH	[ ] METRIC DIM. AS REFERENCE	
	DRAWN BY QIN LIU			DATE 10-31-07	08B0-1X4T-36-F	FILE NAME 08B01X4T36-F_B.DWG
				.XX /	SCALE : N/A	SIZE : A4
				.XXX ±0.004		PAGE : 4



THE INFORMATION CONTAINED HEREIN IS CONSIDERED "PROPRIETARY" TO BEL FUSE INC. AND SHALL NOT BE COPIED, REPRODUCED OR DISCLOSED WITHOUT THE WRITTEN APPROVAL OF BEL FUSE INC.



RECOMMENDED PCB FOOTPRINT  
COMPONENT SIDE VIEW



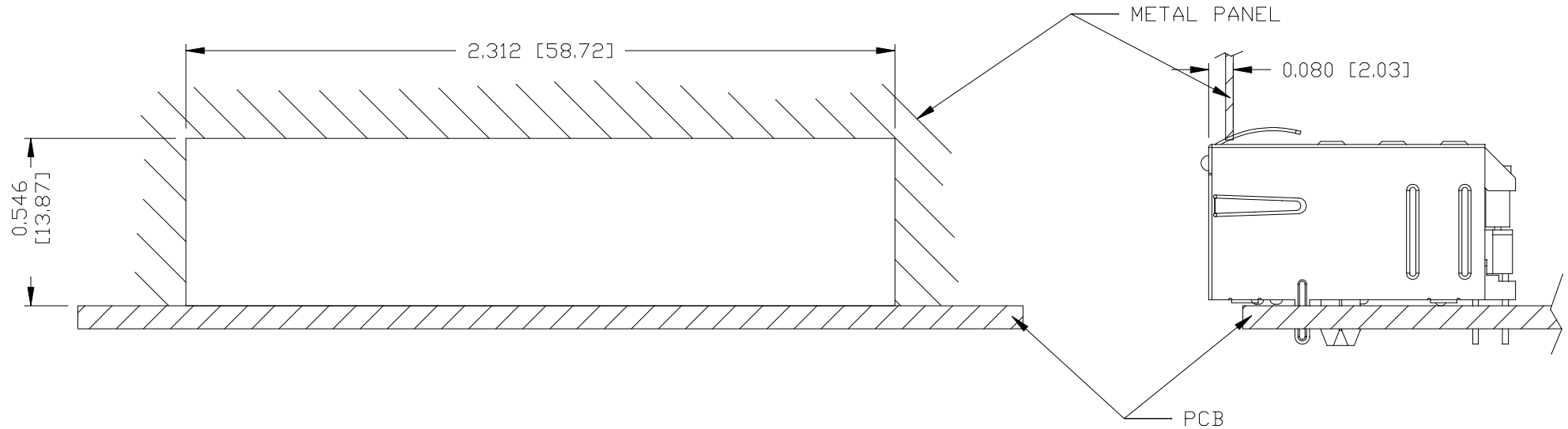
ORIGINATED BY BILL CHEN	DATE 10-31-07	TITLE 1X4 MagJack® (4 Cores, MDIX, CM Termination) Ext,Temp	PART NO. / DRAWING NO. 08B01X4T36-F	STANDARD DIM. TOL. IN INCH	[ ] METRIC DIM. AS REFERENCE	
DRAWN BY QIN LIU	DATE 10-31-07		FILE NAME 08B01X4T36-F_B.DWG	.X .XX .XXX	±0.004	

THE INFORMATION CONTAINED HEREIN IS CONSIDERED "PROPRIETARY" TO BEL FUSE INC. AND SHALL NOT BE COPIED, REPRODUCED OR DISCLOSED WITHOUT THE WRITTEN APPROVAL OF BEL FUSE INC.

RoHS  
2002/95/EC



SUGGESTED PANEL OPENING



NOTES:

THE DISTANCE OF PANEL INSIDE SURFACE RELATIVE TO FRONT SURFACE OF PART IS ONLY A SUGGESTION. IN CASE THIS DISTANCE IS DIFFERENT, THE REQUIRED PANEL OPENING DIMENSIONS CHANGE ACCORDINGLY.

PACKING INFORMATION

PACKING TRAY : 0200-0148-17

PACKING QUANTITY : 30 PCS FINISHED GOODS PER TRAY.

10 TRAYS (300 PCS FINISHED GOODS) PER CARTON BOX.

NOTE : CARDBOARDS ARE PLACED BETWEEN LAYERS OF PACKING TRAY INSIDE CARTON BOX.

(INCLUDE THE UPPERMOST AND LOWERMOST TRAY)

ORIGINATED BY BILL CHEN	DATE 10-31-07	TITLE 1X4 MagJack® (4 Cores, MDIX, CM Termination) Ext,Temp	PART NO. / DRAWING NO. 08B01X4T36-F		STANDARD DIM. TOL. IN INCH		[ ] METRIC DIM. AS REFERENCE		bel COMPONENTS FOR A CONNECTED PLANET
			FILE NAME 08B01X4T36-F_B.DWG		.X		UNIT : INCH [mm]	REV. : B	
DRAWN BY QIN LIU	DATE 10-31-07	08B0-1X4T-36-F			.XX		SCALE : N/A	SIZE : A4	PAGE : 6
					.XXX	±0.004			