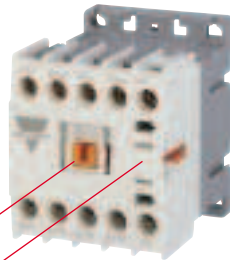
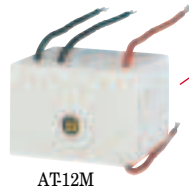


# Accessories for mini contactors

## Timer unit, AT-12M

- Electronic type
- ON/OFF time delay
- Front mount

Timer unit



Surge absorber unit



### Electronic Timer

Type	Control voltage	Delay	Time	Applied contactors
AT12M / -on	AC/DC 24~48V	ON	0.1~30s	CGMS-6A~16A CGMS-6D~16D
AT12M / -off	AC/DC 24~48V	OFF	0.1~30s	CGMS-6A~16A CGMS-6D~16D
AT12M / on	AC 100~220V	ON	0.1~30s	CGMS-6A~16A CGMS-6D~16D
AT12M / off	AC 100~220V	OFF	0.1~30s	CGMS-6A~16A CGMS-6D~16D

## Surge absorber unit, AS-12M

- Coil surge suppressor



### Surge absorber unit

Type	Internal element	Operational voltage	Applied contactors
AS-12M / 1	Varistor	AC 24~48V	CGMS-6A~16A
AS-12M / 2		AC 60~127V	
AS-12M / 3		AC 200~240V	
AS-12M / 4		DC 12~24V	CGMS-6D~16D
AS-12M / 5		DC 30~72V	
AS-12M / 6		DC 100~127V	
AS-12M / 7		DC 200~250V	

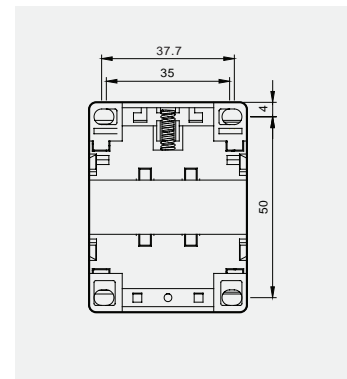
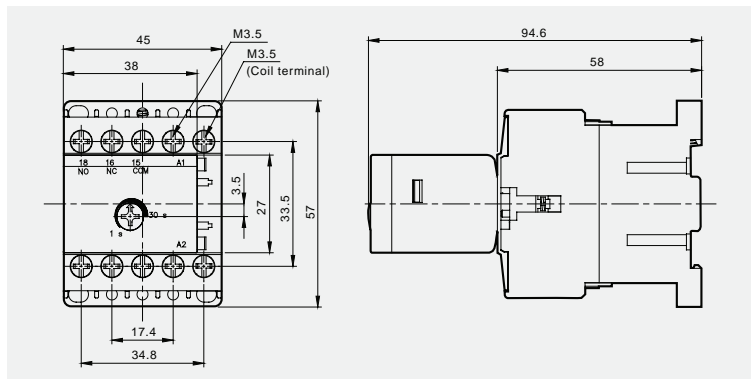
# Mini contactors

## Dimensions

**CGMS-12A**

+

**AF12M**

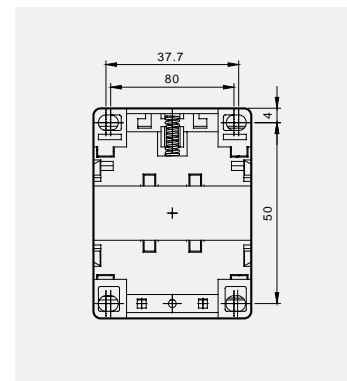
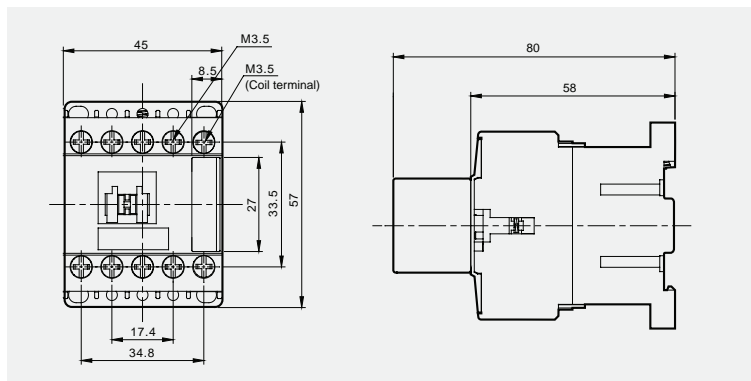


0.21kg

**CGMS-12D**

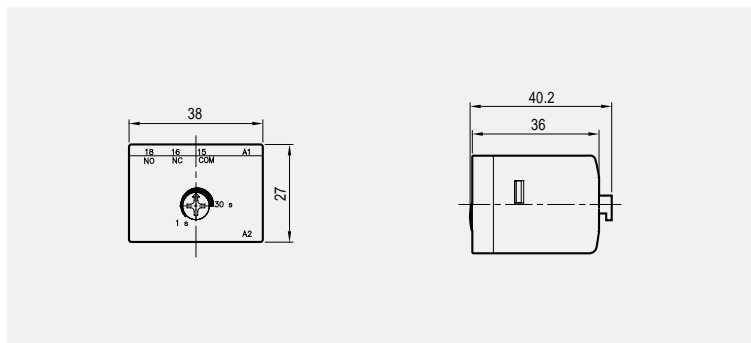
+

**AS 12M**



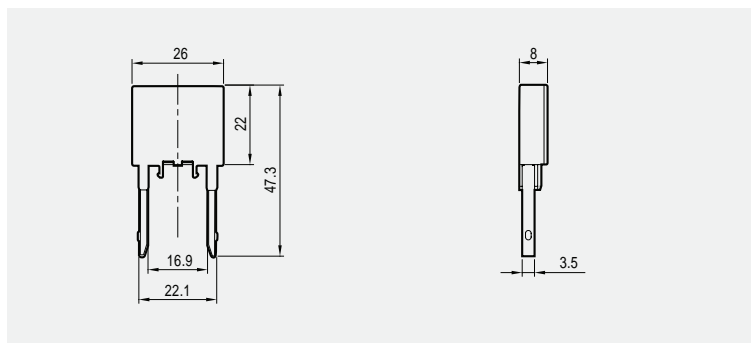
0.175kg

**AF12M**



0.04kg

**AS 12M**



0.005kg