

PBBOX Push button plastic boxes

CARLO GAVAZZI



PBBOX3HBY

- Pre-cut cable inlet PG13.5/M20
- UL approved plastic material
- Black base and yellow or grey cover
- From 1 to 5 holes
- CE

Product Description

These boxes, made by UL approved ABS plastic material, are ideal for push buttons application like push button station, emergency STOP push button box, start-stop box etc... They are available from 1 to 5 holes that are fitted for 22mm push buttons series. The black base has a pre-pressed cable inlet type Pg (Pg13.5) or Metric (M20). The cover is available either yellow or grey colours.

Ordering Key

PBBOX 3H BY

Model _____
 Number of Holes _____
 Box Colour _____

Approvals



Number of holes

1H	1 hole
2H	2 holes
3H	3 holes
4H	4 holes
5H	5 holes

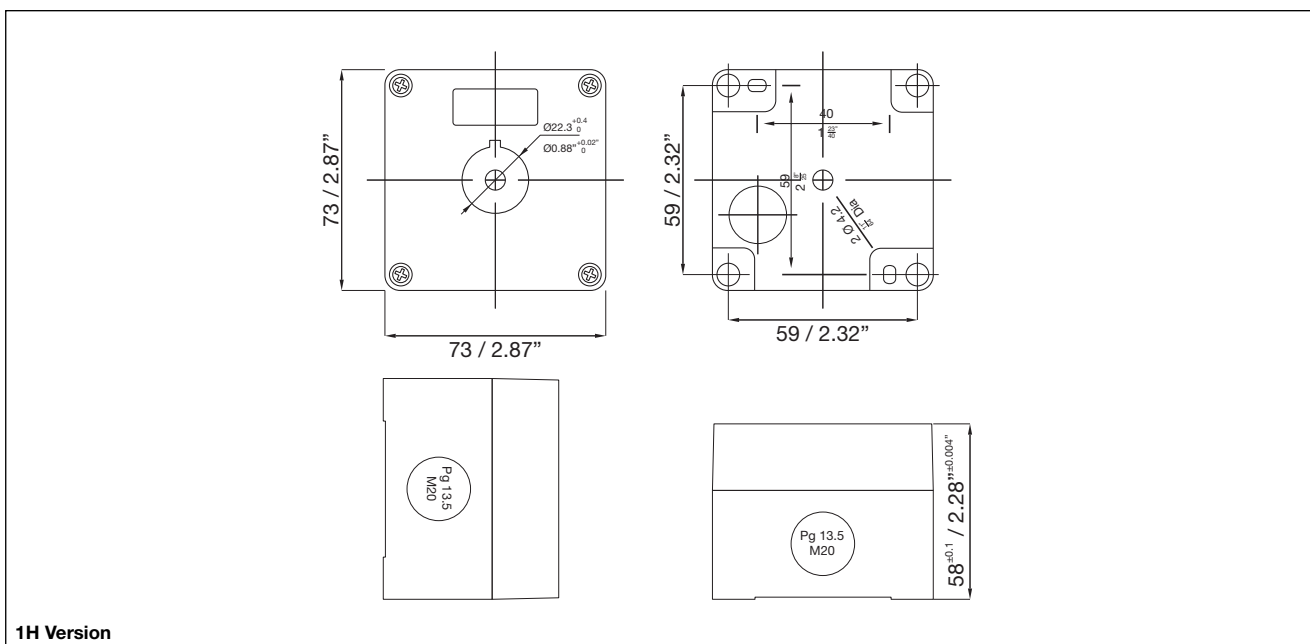
Box Colours

BY	Base: Cover:	Black Pantone Yellow
BG	Base: Cover:	Black Grey RAL7035

General Data

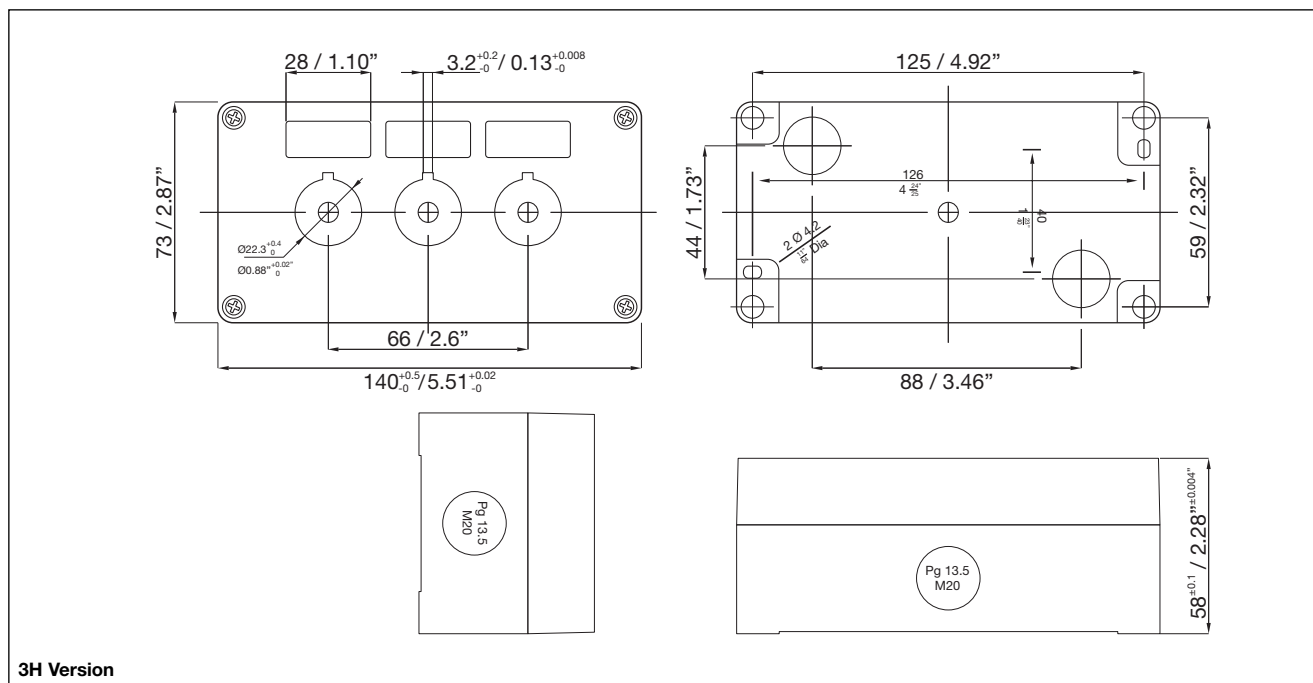
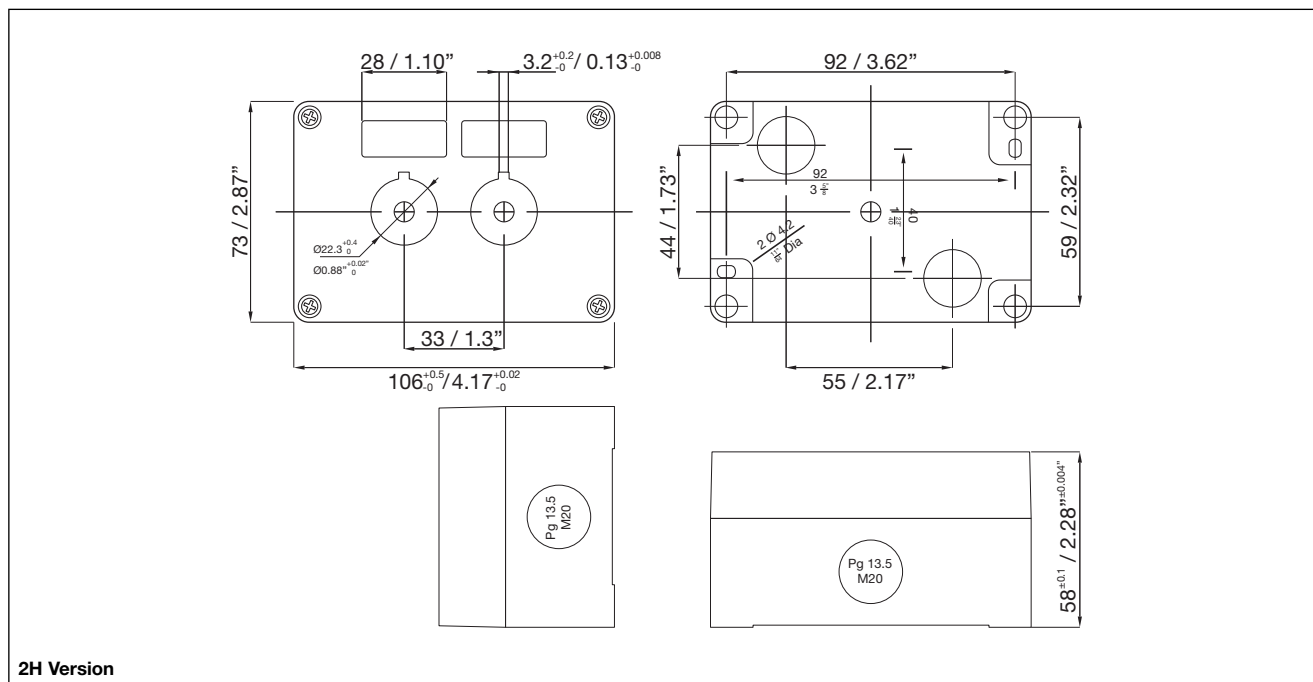
Material	ABS PA-765
Weight	1H 80g / 2.82oz 2H 100g / 3.53oz 3H 120g / 4.23oz 4H 160g / 5.64oz 5H 180g / 6.35oz
Hole diameter	Ø22mm / 0.87"
Operating temperature	-40°C...+60°C / -40°F...+140°F
Degree of protection	IP00

Dimensions (mm/inches)



1H Version

Dimensions (mm/inches)



Dimensions (mm/inches)

