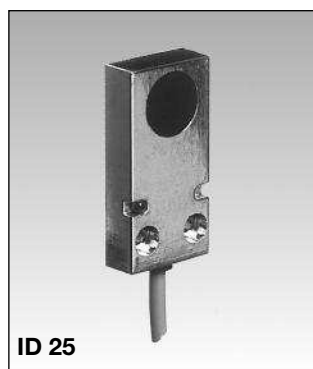
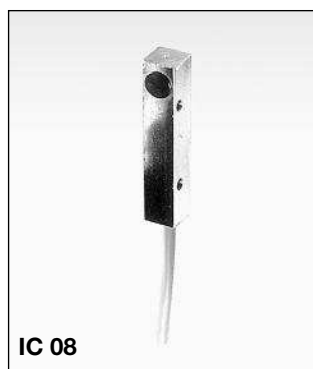


Proximity Sensors Inductive Rectangular, Nickel-plated Brass Housing Types IC, ID, Cable and Plug

CARLO GAVAZZI



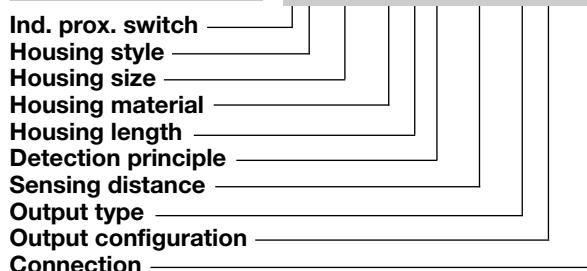
- Nickel-plated brass housings
- Sensing distance: 1.5 or 5 mm
- For flush mounting
- Output: IC 08: Transistor, NPN/PNP, normally open
ID 25: Transistor, NPN/PNP, normally open or change over
- Power supply: 10 to 30 VDC
- Protection: Short-circuit
- 2 m PVC cable or M8 plug (IC 08)

Product Description

Inductive proximity sensor in squared nickel-plated brass housing. This series is suitable for the control of axial and rotational movements.

Output configured as PNP or NPN, normally open (IC and ID types), change over (ID types). Connection with 2 m PVC cable (IC and ID types or M8 plug (IC types).

Ordering Key **IC 08 ANC 15 NO M5-K**



Type Selection

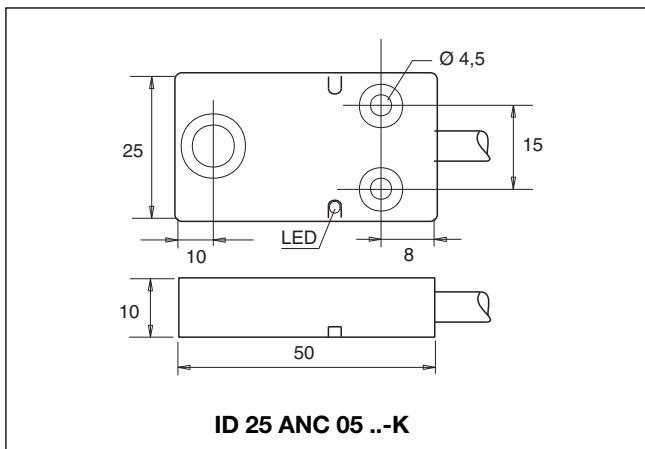
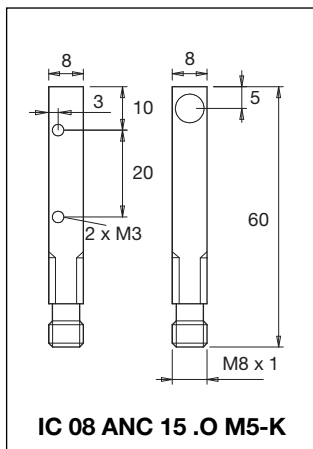
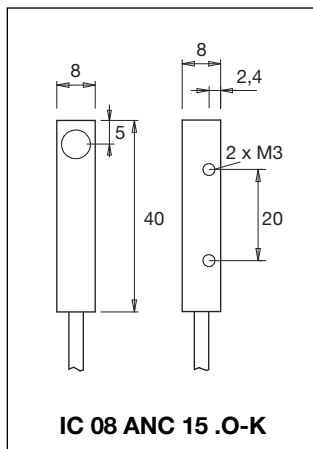
Rated op. dist. (S _n)	Con- nec- tion	Dimen- sions [mm]	Ordering no. Transistor, NPN Normally open	Ordering no. Transistor, NPN Change over	Ordering no. Transistor, PNP Normally open	Ordering no. Transistor, PNP Change over
1.5 mm	Cable	8 x 8 x 40	IC 08 ANC 15 NO-K		IC 08 ANC 15 PO-K	
1.5 mm	Plug	8 x 8 x 60	IC 08 ANC 15 NO M5-K		IC 08 ANC 15 PO M5-K	
5 mm	Cable	25x10 x 50	ID 25 ANC 05 NO-K	ID 25 ANC 05 NA-K	ID 25 ANC 05 PO-K	ID 25 ANC 05 PA-K

All types for flush mounting in metal

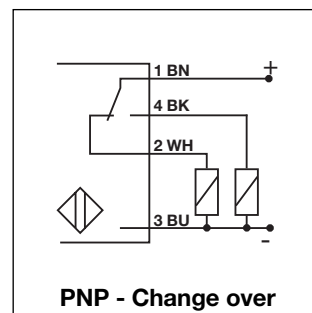
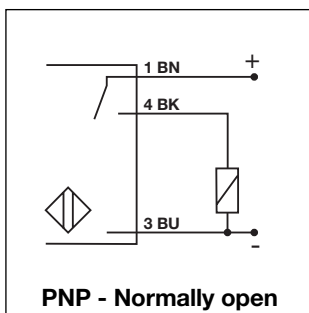
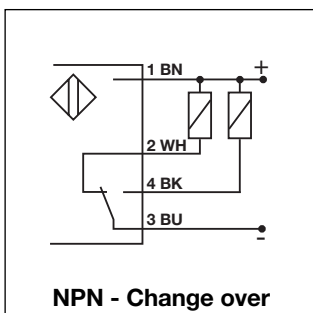
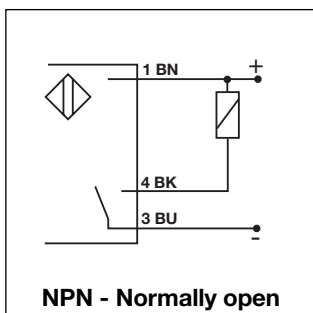
Specifications

Rated operational volt. (U_B)	10 to 30 VDC (ripple included)	Sensing distance	IC08 ID25	1.5 mm 5 mm
Ripple	≤ 10%	Effective operating dist. (S_r)	0.9 x S _n ≤ S _r ≤ 1.1 x S _n	
Rated operational current (I_e) Continuous	≤ 200 mA @ 25°C	Usable operating dist. (S_u)	0.85 x S _r ≤ S _u ≤ 1.15 x S _r	
No-load supply current (I_o) IC08 O-K IC08 OM5-K ID 25	≤ 10 mA (ON) ≤ 9 mA (ON) ≤ 10 mA (ON)	Ambient temperature Operating Storage	-25° to +70°C (-13° to +158°F) -30° to +75°C (-22° to +167°F)	
Voltage drop (U_d) IC08 O-K IC08 OM5-K ID 25	< 1.7 V (@ I _{max}) < 1.0 V (@ I _{max}) < 1.0 V (@ I _{max})	Degree of protection IC08 O-K IC08 OM5-K ID25	IP 65 IP 67 (Nema 1, 3, 4, 6, 13) IP 67 (Nema 1, 3, 4, 6, 13)	
Protection	Short circuit	Housing material	Nickel-plated brass	
Frequency of op. cycles (f) IC08 O-K IC08 OM5-K ID 25	1 kHz 2 kHz 1 kHz	CE-marking	Yes	
Indication for output ON	LED, yellow (ID25 only)	Connection	Cable, 2 m, PVC, AWG 26 or Plug M8, CONH5A-xxx serie (plug versions only IC 08)	

Dimensions



Wiring Diagrams



Installation Hints

