

THE INFORMATION CONTAINED HEREIN IS CONSIDERED "PROPRIETARY" TO BEL FUSE INC. AND SHALL NOT BE COPIED, REPRODUCED OR DISCLOSED WITHOUT THE WRITTEN APPROVAL OF BEL FUSE INC.

RoHS
2002/95/EC



LED1 POLARITY			LED2 POLARITY		
PIN 7	PIN 8	COLOR	PIN 9	PIN 10	COLOR
-	+	GREEN	-	+	GREEN
+	-	YELLOW	+	-	YELLOW

ELECTRICAL CHARACTERISTICS @ 25°C

URNS RATIO

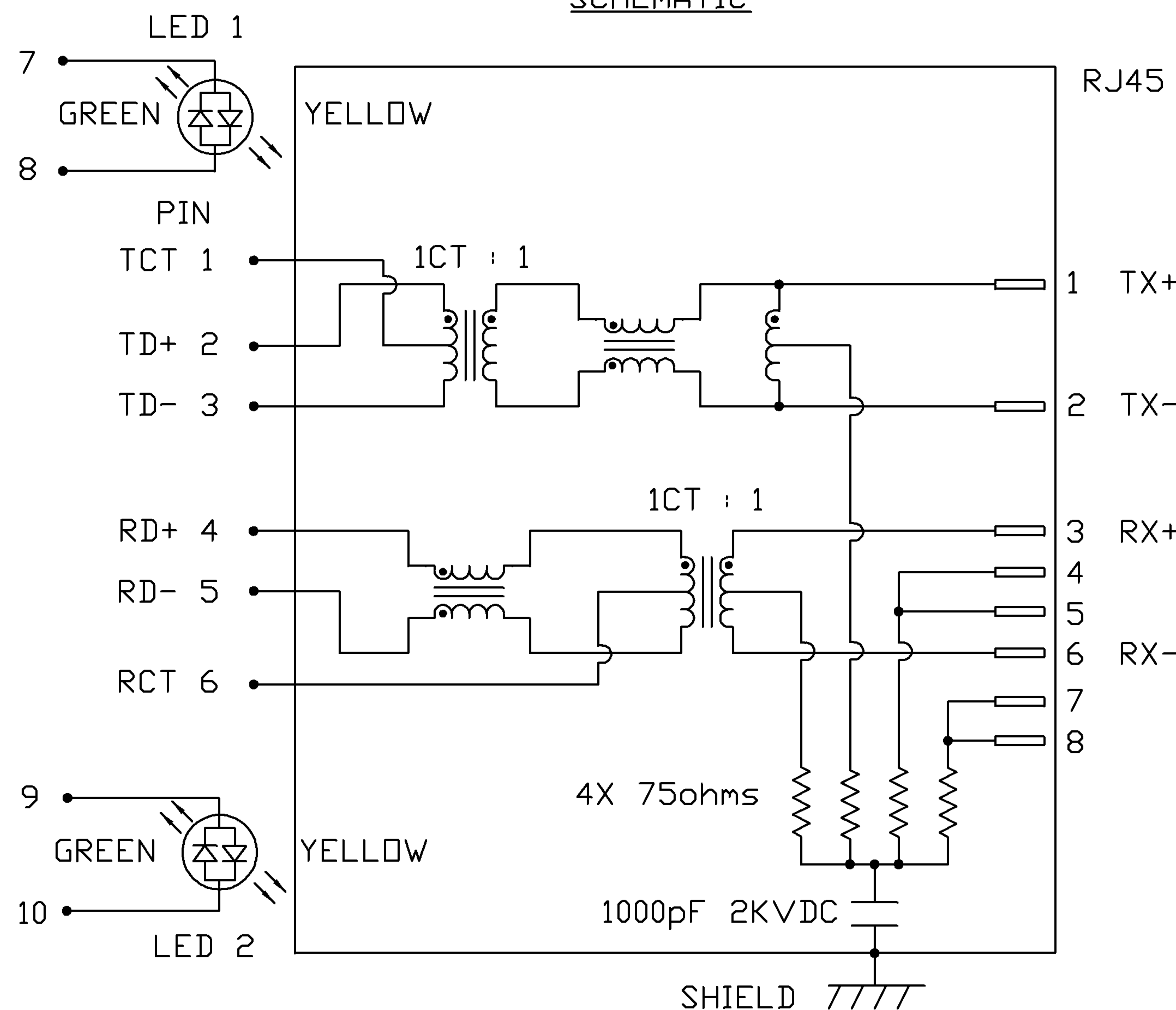
TX	1CT : 1
RX	1CT : 1
DCL @ 100kHz/100mVRMS	350µH MIN.
8mA DC BIAS	
INS. LOSS	
1MHz TO 100MHz	-1.0 dB MAX
RET. LOSS (MIN)	
1MHz-30MHz	-18 dB
30MHz-60MHz	-18+20LOG(F/30MHz) dB
60MHz-80MHz	-12 dB
CROSS TALK (TX - RX)	
500kHz - 100 MHz	-35 dB MIN
CM TO CM REJ	
100kHz - 100 MHz	-30 dB MIN
CM TO DM REJ	
100kHz - 100 MHz	-40 dB MIN
HIPOT (Isolation Voltage):	1500 Vrms

100% OF PRODUCTION TESTED TO COMPLY WITH IEEE 802.3 ISOLATION REQUIREMENTS.

LED 1 AND LED 2

VF (FORWARD VOLTAGE)	IF=20mA	GREEN	2.2V TYP.
		YELLOW	2.1V TYP.
λD (DOMINANT WAVELENGTH)	IF=20mA	GREEN	565nm TYP.
		YELLOW	590nm TYP.

SCHEMATIC



ORIGINATED BY	DATE	TITLE	PART NO. / DRAWING NO.	STANDARD DIM. TOL. IN INCH	[] METRIC DIM. AS REFERENCE
CHOW WANCHUNG	07-01-08	MagJack® (CM Termination)	08B01CX103-F	.X .XX .XXX	UNIT : INCH [mm] SCALE : N/A REV. : B SIZE : A4 PAGE : 2
DRAWN BY	DATE	08B0-1CX1-03-F	FILE NAME		
LI YONGFENG	07-01-08		08B01CX103-F_B.DWG		

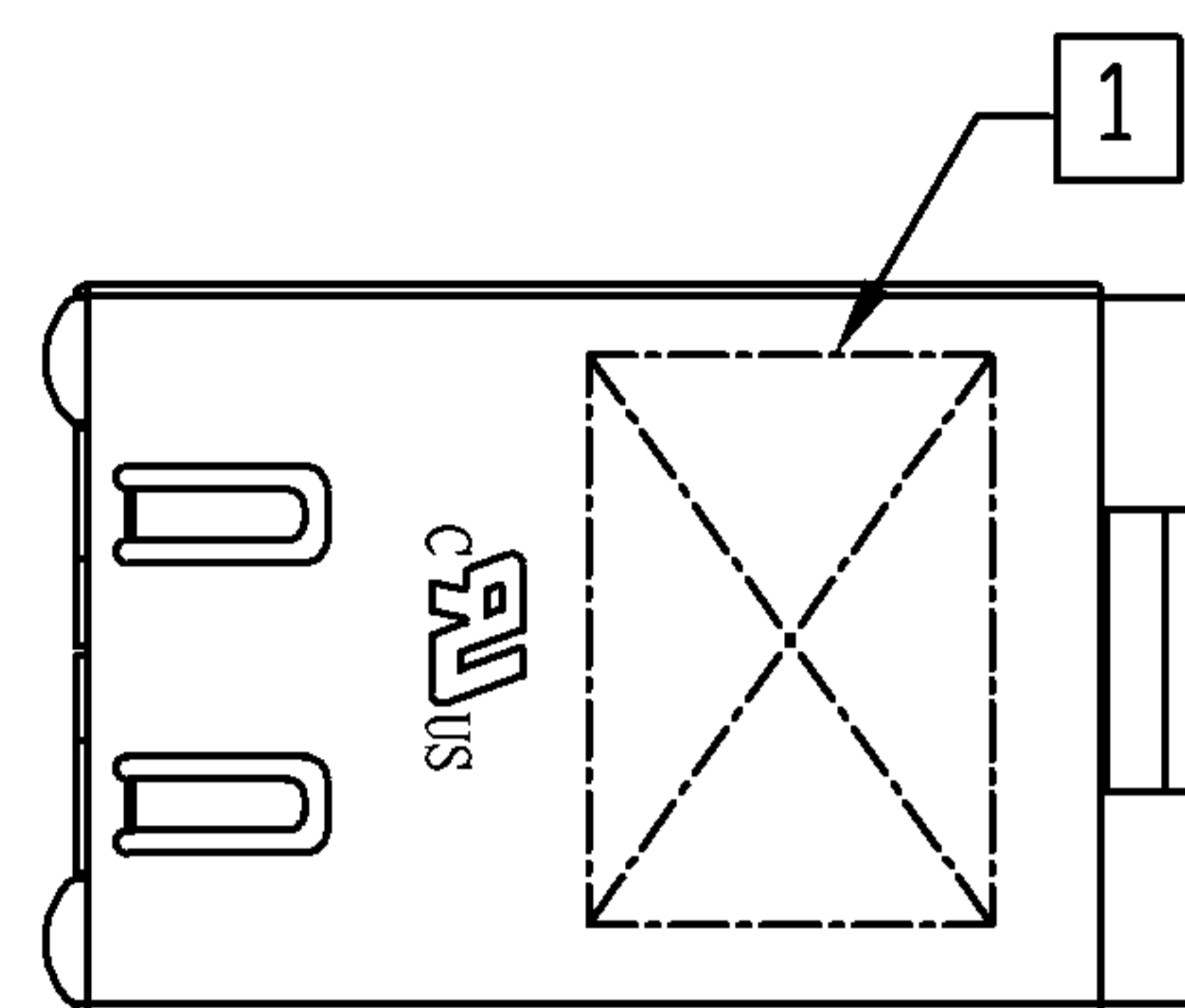


THE INFORMATION CONTAINED HEREIN IS CONSIDERED "PROPRIETARY" TO BEL FUSE INC. AND SHALL NOT BE COPIED, REPRODUCED OR DISCLOSED WITHOUT THE WRITTEN APPROVAL OF BEL FUSE INC.

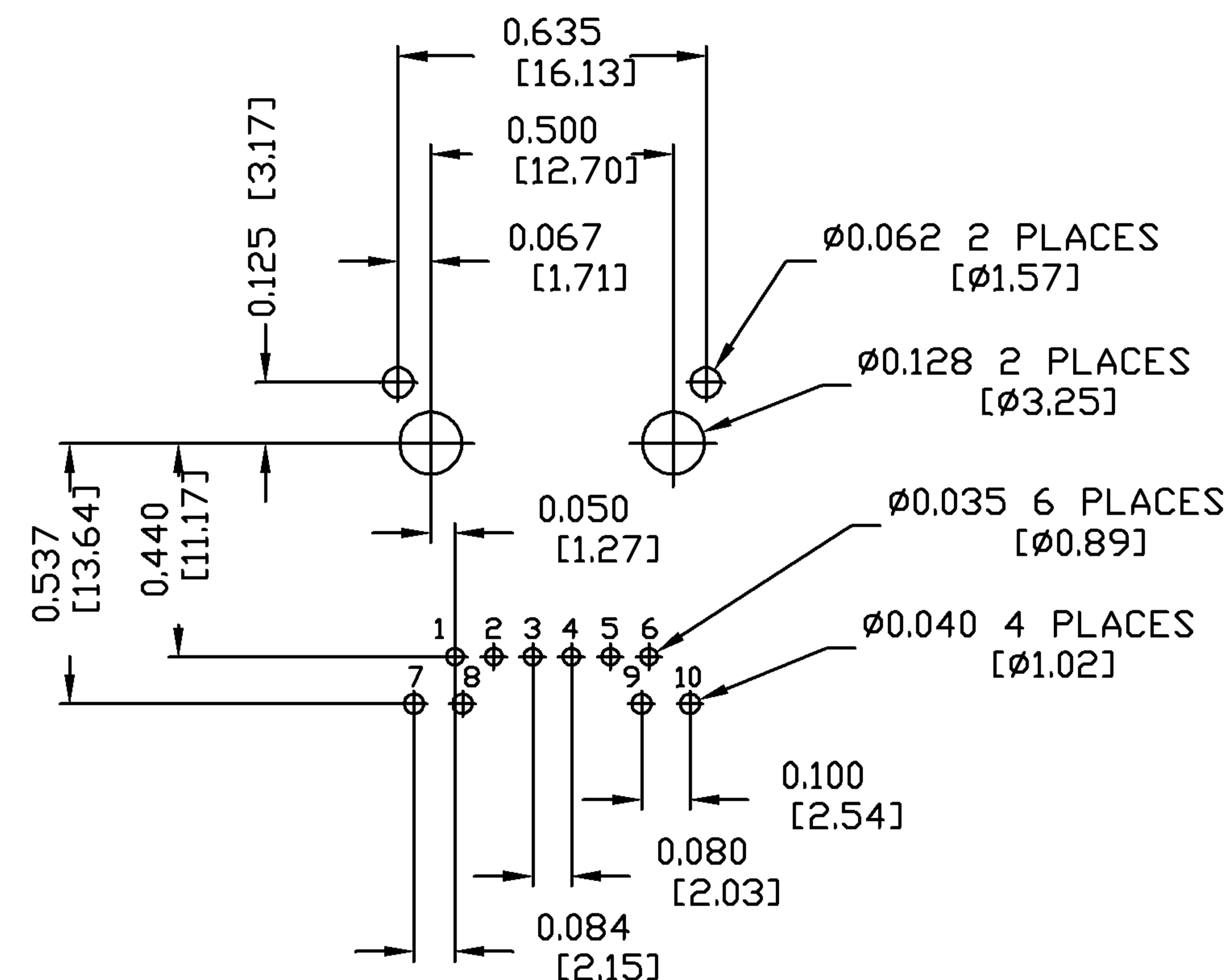
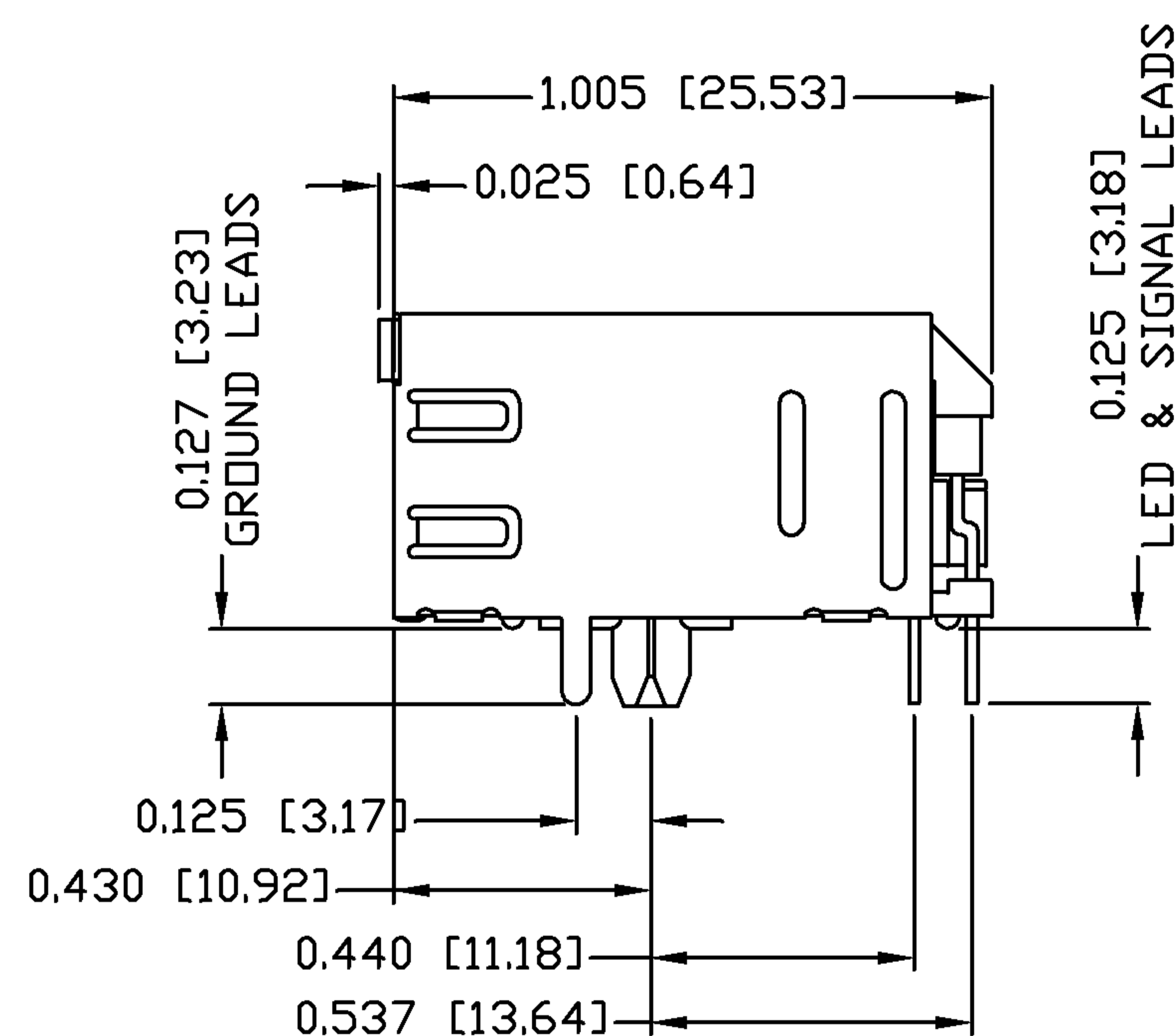
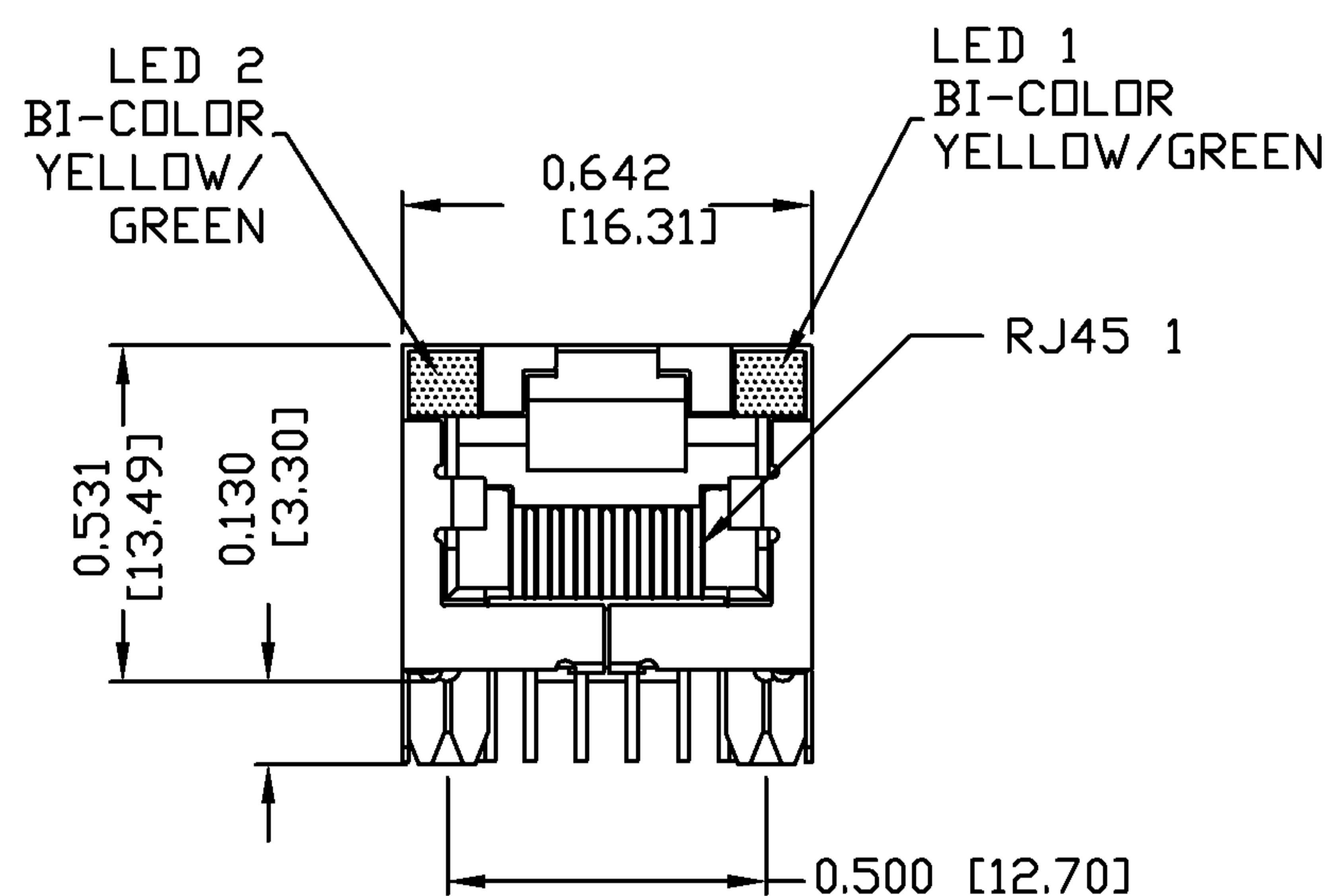
RoHS
2002/95/EC



MECHANICAL SPECIFICATION



RECOMMENDED PCB FOOTPRINT
COMPONENT SIDE VIEW



NOTES:

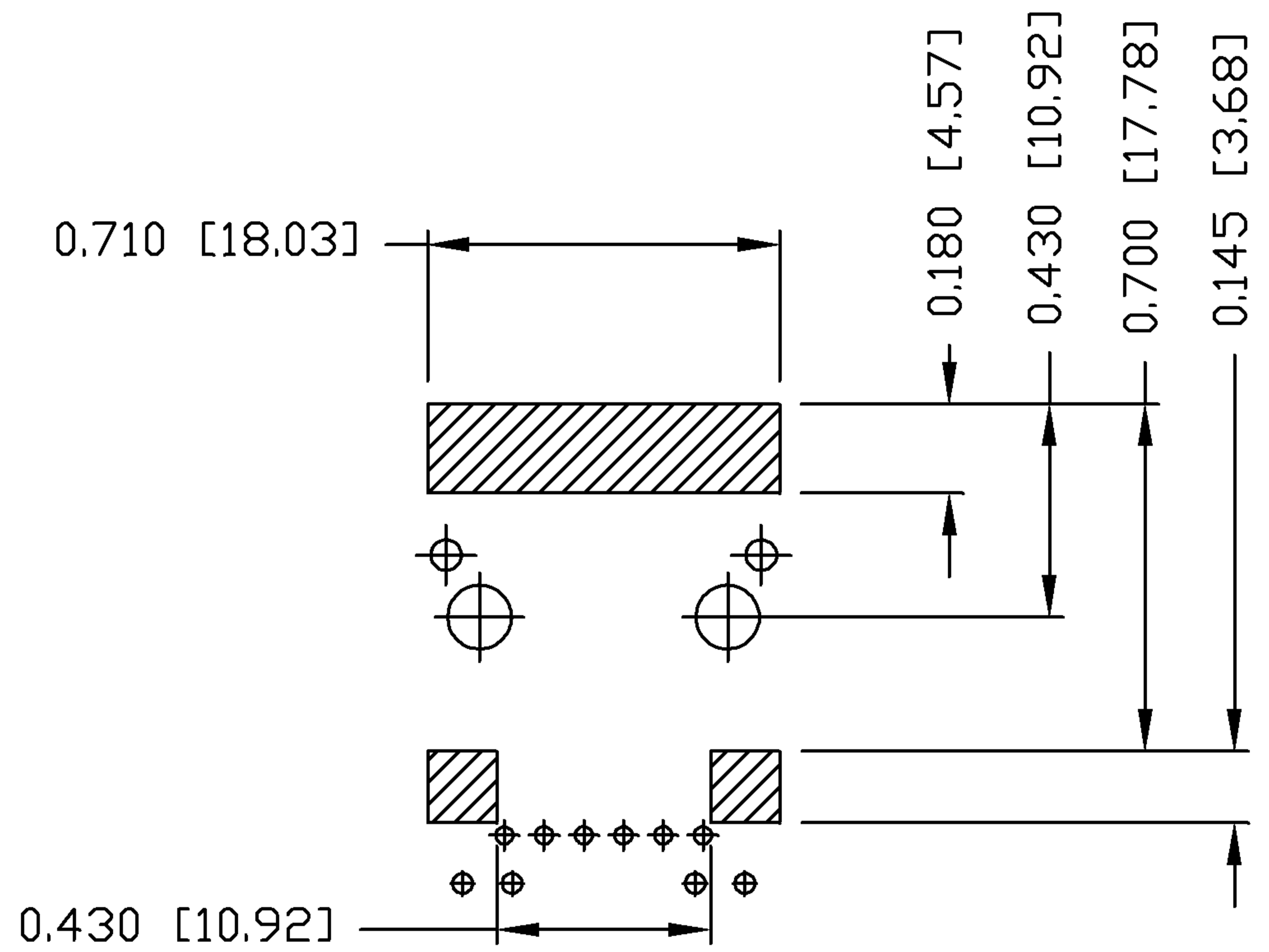
- PLASTIC HOUSING: THERMOPLASTIC PBT
FLAMMABILITY RATING UL 94V-0
- CONTACTS PLATING: 15 MICRO-INCH HARD GOLD PLATING
- PINS: TIN-COATED COPPER WIRE, DIA 0.018 INCH.
- METAL SHIELD: PRE-PLATED NICKEL ON COPPER ALLOY.
(ALL GROUND LEADS ARE SOLDER DIPPED)
- 1. MARK PART WITH MFG LOGO, MFG NAME, PART NUMBER, AND DATE CODE.
- 2. RoHS COMPLIANCE, PER EU DIRECTIVE 2002/95/EC.
JACK CAVITY CONFORMS TO FCC RULES AND REGULATIONS.

c US UL RECOGNIZED - FILE #E196366 AND E169987.

ORIGINATED BY LIU QIN	DATE 07-01-08	TITLE MagJack® (CM Termination) 08B0-1CX1-03-F	PART NO. / DRAWING NO. 08B01CX103-F	STANDARD DIM. TOL. IN INCH	[] METRIC DIM. AS REFERENCE	
DRAWN BY CHEN TING	DATE 07-01-08		FILE NAME 08B01CX103-F_B.DWG	.X .XX .XXX	±0.010	UNIT : INCH [mm] SCALE : N/A



THE INFORMATION CONTAINED HEREIN IS CONSIDERED "PROPRIETARY" TO BEL FUSE INC. AND SHALL NOT BE COPIED, REPRODUCED OR DISCLOSED WITHOUT THE WRITTEN APPROVAL OF BEL FUSE INC.



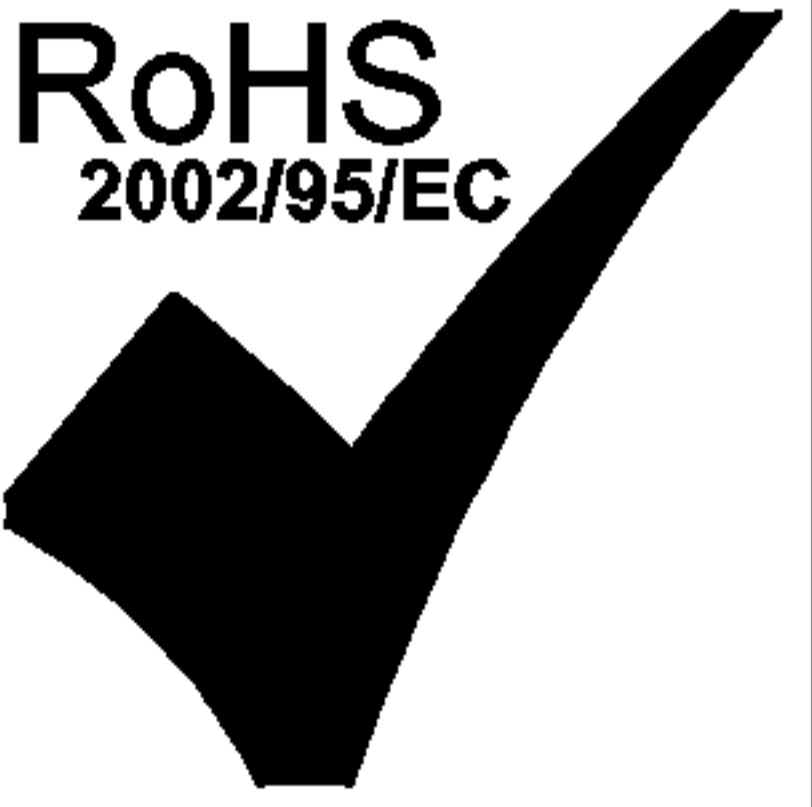
NOTES:

THE SHADED AREA ON THE CUSTOMER BOARD ARE RECOMMENDED TO BE CLEAR OFF ANY VIA HOLE OR COMPONENT PAD.

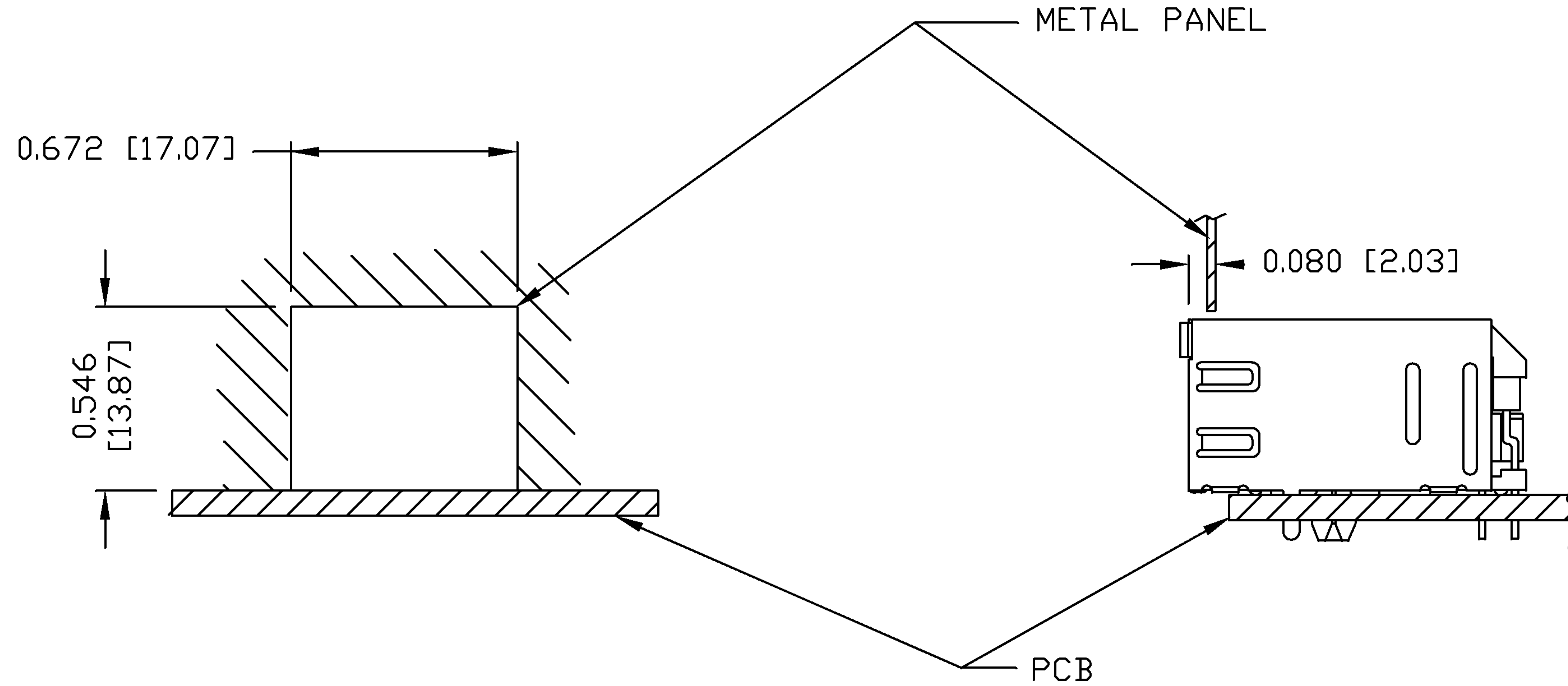
ORIGINATED BY LIU QIN	DATE 07-01-08	TITLE MagJack® (CM Termination)	PART NO. / DRAWING NO. 08B01CX103-F	STANDARD DIM. TOL. IN INCH	[] METRIC DIM. AS REFERENCE		 COMPONENTS FOR A CONNECTED PLANET
DRAWN BY CHEN TING	DATE 07-01-08		FILE NAME 08B01CX103-F_B.DWG	.X .XX .XXX	UNIT : INCH [mm] SCALE : N/A	REV. : B SIZE : A4 PAGE : 4	
				±0.004			

THE INFORMATION CONTAINED HEREIN IS CONSIDERED "PROPRIETARY" TO BEL FUSE INC. AND SHALL NOT BE COPIED, REPRODUCED OR DISCLOSED WITHOUT THE WRITTEN APPROVAL OF BEL FUSE INC.

RoHS
2002/95/EC



SUGGESTED PANEL OPENING



NOTE:

THE DISTANCE OF PANEL INSIDE SURFACE RELATIVE TO FRONT SURFACE OF PART IS ONLY A SUGGESTION. IN CASE THIS DISTANCE IS DIFFERENT, THE REQUIRED PANEL OPENING DIMENSIONS CHANGE ACCORDINGLY.

PACKING INFORMATION

PACKING TUBE : 0200-0149-01

PACKING QUANTITY : 30 PCS FINISHED GOODS PER TUBE

20 TUBES (600 PCS FINISHED GOODS) PER CARTON BOX

ORIGINATED BY LIU QIN	DATE 07-01-08	TITLE MagJack® (CM Termination)	PART NO. / DRAWING NO. 08B01CX103-F	STANDARD DIM.		[] METRIC DIM. AS REFERENCE		REV. : B	SIZE : A4	PAGE : 5
				TOL. IN INCH		UNIT : INCH [mm]	SCALE : N/A			
DRAWN BY CHEN TING	DATE 07-01-08	08B0-1CX1-03-F	FILE NAME 08B01CX103-F_B.DWG	.X		⊕	≡			
				.XX						
				.XXX	±0.004					

