

THE INFORMATION CONTAINED HEREIN IS CONSIDERED "PROPRIETARY" TO BEL FUSE INC. AND SHALL NOT BE COPIED, REPRODUCED OR DISCLOSED WITHOUT THE WRITTEN APPROVAL OF BEL FUSE INC.

RoHS
2002/95/EC

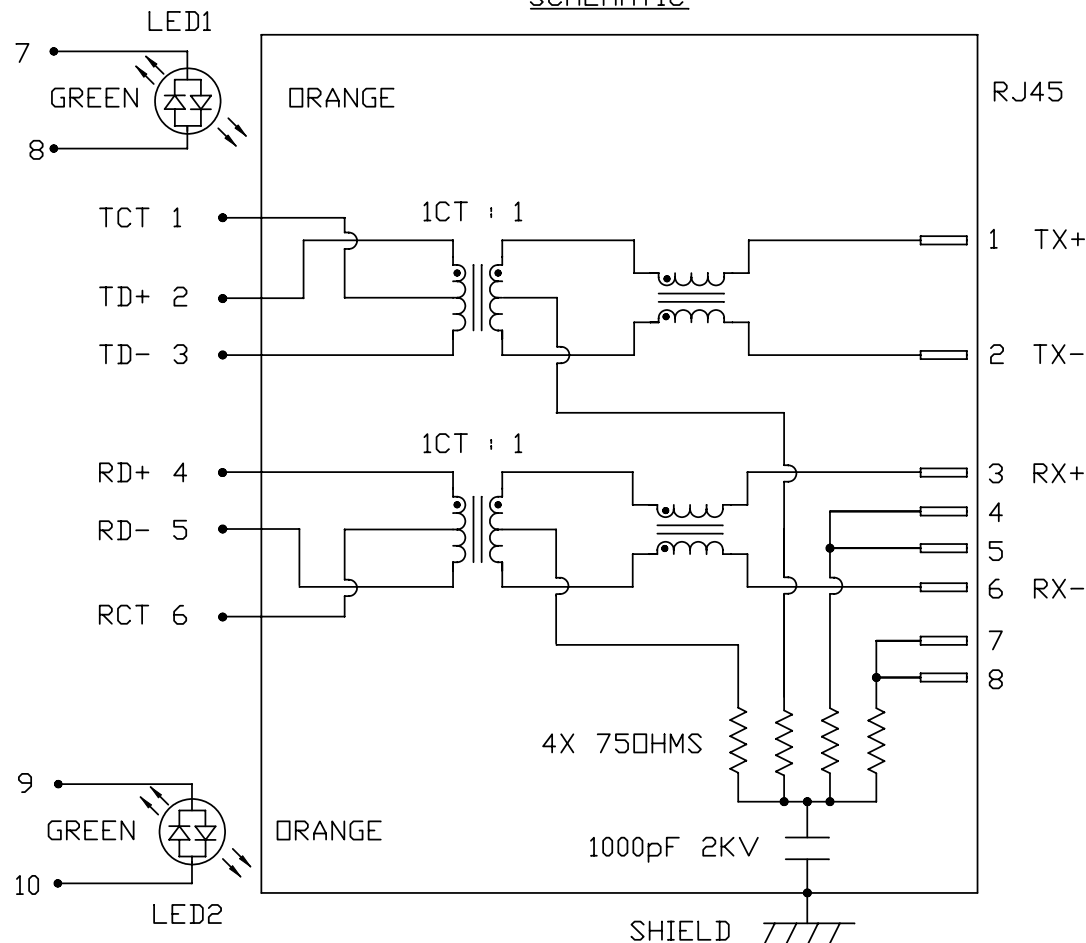


ELECTRICAL CHARACTERISTICS @ 25°C

| | |
|--|---------------------------------------|
| TX | 1CT : 1 |
| RX | 1CT : 1 |
| DCL @ 100kHz/100mVRMS | 350µH MIN. |
| 8mA DC BIAS | |
| INS. LOSS | |
| 1MHz TO 100MHz | -1.0 dB MAX |
| RET. LOSS (MIN) | |
| 1MHz-30MHz | -18 dB |
| 30MHz-60MHz | -18+20LOG(F/30MHz) dB |
| 60MHz-80MHz | -12 dB |
| CROSS TALK (TX - RX) | |
| 500kHz-1MHz | -70 dB MIN |
| 10 MHz | -50 dB MIN |
| 30 MHz | -45 dB MIN |
| 50 MHz | -40 dB MIN |
| 100 MHz | -35 dB MIN |
| CM TO CM REJ | |
| 100kHz-1MHz | -70 dB MIN |
| 10 MHz | -47 dB MIN |
| 30 MHz | -42 dB MIN |
| 60 MHz | -37 dB MIN |
| 100 MHz | -30 dB MIN |
| CM TO DM REJ | |
| 100kHz-1MHz | -70 dB MIN |
| 10 MHz | -60 dB MIN |
| 30 MHz | -50 dB MIN |
| 60 MHz | -45 dB MIN |
| 100 MHz | -40 dB MIN |
| HIPOT (Isolation Voltage): | 1500 Vrms |
| 100% OF PRODUCTION TESTED TO COMPLY | |
| WITH IEEE 802.3 ISOLATION REQUIREMENTS | |
| LED 1 AND LED 2 | |
| VF (FORWARD VOLTAGE) IF=20mA | GREEN 2.2V TYP. ORANGE 2.0V TYP. |
| λD (DOMINANT WAVELENGTH) IF=20mA | GREEN 565nm TYP. ORANGE 610nm TYP. |
| OPERATING TEMPERATURE: | -40°C TO 85°C |

| LED1 POLARITY | | | LED2 POLARITY | | |
|---------------|-------|--------|---------------|--------|--------|
| PIN 7 | PIN 8 | COLOR | PIN 9 | PIN 10 | COLOR |
| - | + | GREEN | - | + | GREEN |
| + | - | ORANGE | + | - | ORANGE |

SCHEMATIC

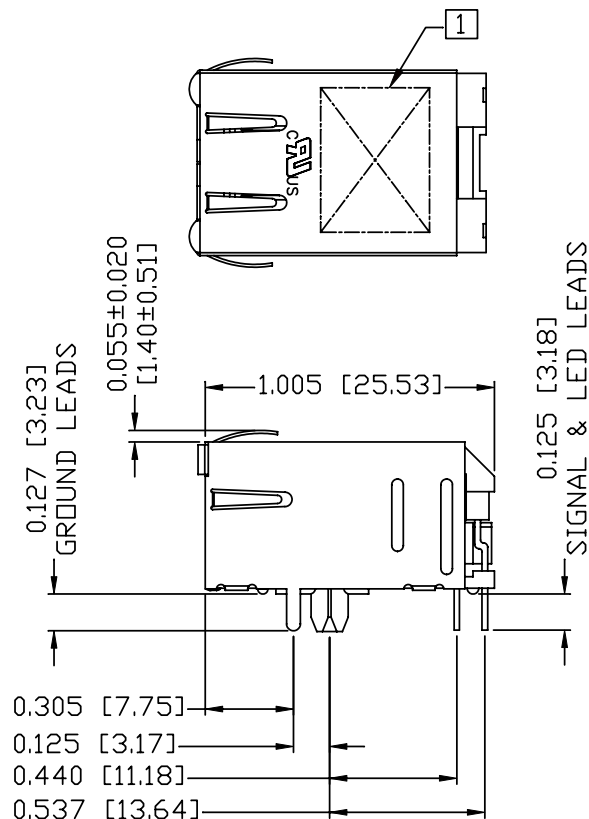
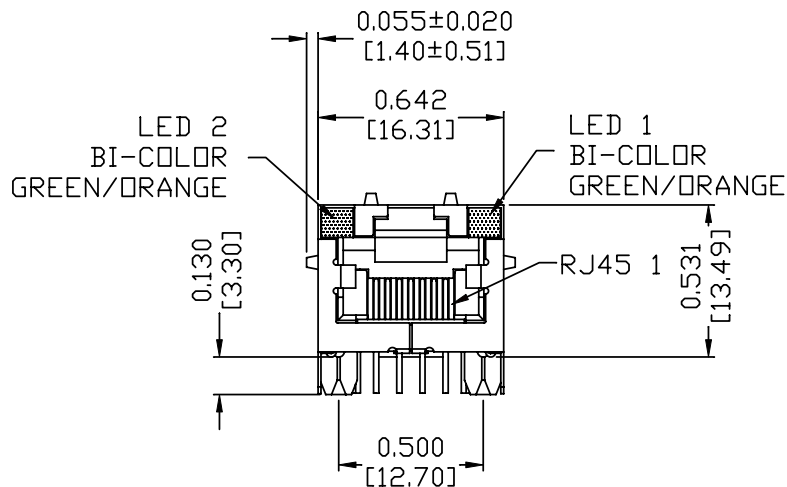


| | | | | | | |
|--|-------------------------|---|---|--|---|---|
| ORIGINATED BY CHOW WANGCHUNG | DATE 06-22-09 | TITLE MagJack® (4 Cores, MDIX, CM Termination) Extended temperature 08B0-1B1T-36-F PATENTED | PART NO. / DRAWING NO. 08B01B1T36-F | STANDARD DIM. TOL. IN INCH .X .XX .XXX | [] METRIC DIM. AS REFERENCE UNIT : INCH [mm] SCALE : N/A REV. : A SIZE : A4 PAGE : 2 | bel COMPONENTS FOR A CONNECTED PLANET |
| DRAWN BY LI YONGFENG | DATE 06-22-09 | | FILE NAME 08B01B1T36-F_A.DWG | | | |

THE INFORMATION CONTAINED HEREIN IS CONSIDERED "PROPRIETARY" TO BEL FUSE INC. AND SHALL NOT BE COPIED, REPRODUCED OR DISCLOSED WITHOUT THE WRITTEN APPROVAL OF BEL FUSE INC.

MECHANICAL SPECIFICATION

RoHS
2002/95/EC



NOTES:

- PLASTIC HOUSING: THERMOPLASTIC PBT
FLAMMABILITY RATING UL 94V-0
- CONTACTS PLATING: 15 MICRO-INCH HARD GOLD PLATING
- PINS: TIN-COATED COPPER WIRE, DIA 0.018 INCH.
- METAL SHIELD: PRE-PLATED NICKEL ON COPPER ALLOY.
(ALL GROUND LEADS ARE SOLDER DIPPED)

[1] MARK PART WITH MFG LOGO, MFG NAME, PART NUMBER, AND DATE CODE.

- 2. RoHS COMPLIANCE, PER EU DIRECTIVE 2002/95/EC.
- 3. JACK CAVITY CONFORMS TO FCC RULES AND REGULATIONS.
- 4. THE PRODUCT IS PATENTED, THE PATENT NUMBER IS U.S. PAT. 5,736,910.

UL USUL RECOGNIZED - FILE #E196366 AND E169987.

| | | | | | |
|---------------|----------|---|------------------------|----------------------------|------------------------------|
| ORIGINATED BY | DATE | TITLE | PART NO. / DRAWING NO. | STANDARD DIM. TOL. IN INCH | [] METRIC DIM. AS REFERENCE |
| LIU QIN | 06-22-09 | MagJack® (4 Cores, MDIX, CM Termination) | 08B01B1T36-F | .X | UNIT : INCH [mm] REV. : A |
| DRAWN BY | DATE | Extended temperature | FILE NAME | .XX | SCALE : N/A SIZE : A4 |
| XIAN JIAXIN | 06-22-09 | 08B0-1B1T-36-F PATENTED | 08B01B1T36-F_A.DWG | .XXX ±0.010 | PAGE : 3 |

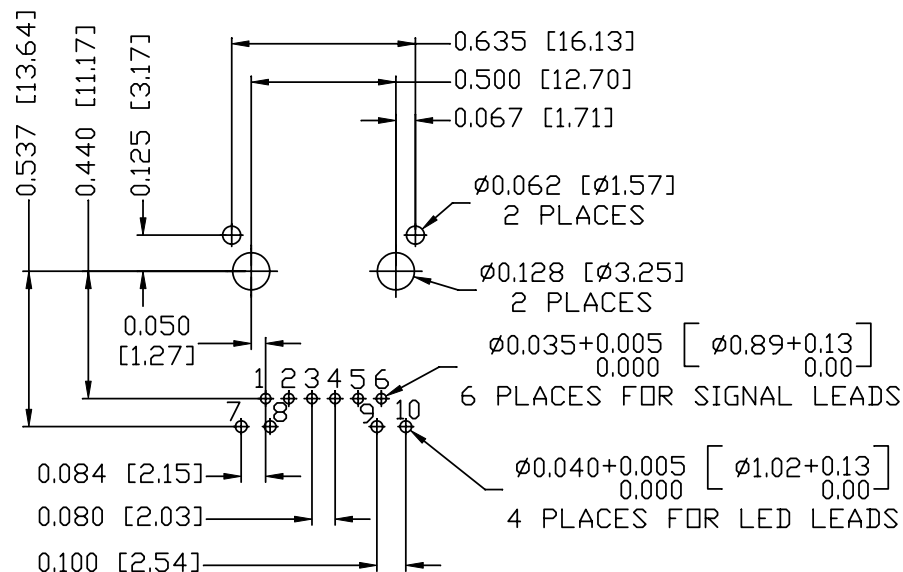
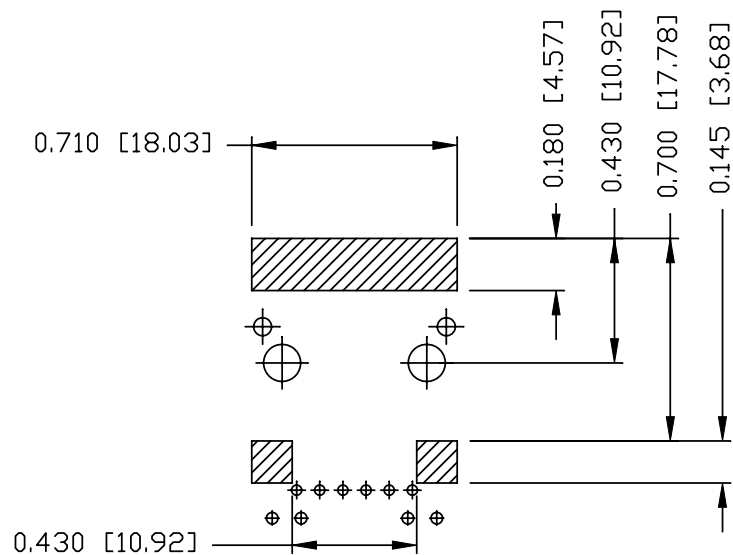


THE INFORMATION CONTAINED HEREIN IS CONSIDERED "PROPRIETARY" TO BEL FUSE INC. AND SHALL NOT BE COPIED, REPRODUCED OR DISCLOSED WITHOUT THE WRITTEN APPROVAL OF BEL FUSE INC.

RoHS
2002/95/EC



RECOMMENDED PCB FOOTPRINT
COMPONENT SIDE VIEW



NOTES:

THE SHADED AREA ON THE CUSTOMER BOARD ARE RECOMMENDED TO BE CLEAR OFF ANY VIA HOLE OR COMPONENT PAD.

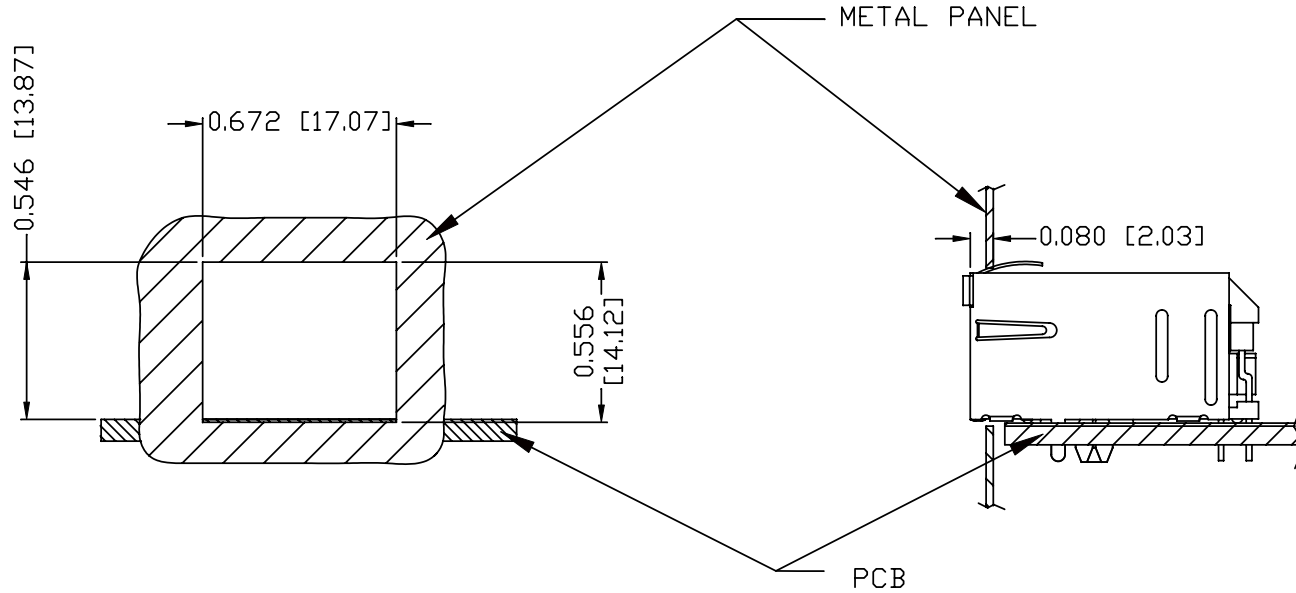
| | | | | | | | | |
|--------------------------|------------------|--|--|----------------------------|--------|------------------------------|-----------|--|
| ORIGINATED BY LIU QIN | DATE 06-22-09 | TITLE MagJack® (4 Cores, MDIX, CM Termination) Extended temperature 08B0-1B1T-36-F PATENTED | PART NO. / DRAWING NO. 08B01B1T36-F | STANDARD DIM. TOL. IN INCH | | [] METRIC DIM. AS REFERENCE | | bel COMPONENTS FOR A CONNECTED PLANET |
| | | | | .X | | UNIT : INCH [mm] | REV. : A | |
| DRAWN BY XIAN JIAXIN | DATE 06-22-09 | | FILE NAME 08B01B1T36-F_A.DWG | .XX | | SCALE : N/A | SIZE : A4 | PAGE : 4 |
| | | | | .XXX | ±0.004 | | | |

THE INFORMATION CONTAINED HEREIN IS CONSIDERED "PROPRIETARY" TO BEL FUSE INC. AND SHALL NOT BE COPIED, REPRODUCED OR DISCLOSED WITHOUT THE WRITTEN APPROVAL OF BEL FUSE INC.

RoHS
2002/95/EC



SUGGESTED PANEL OPENING



NOTE:

THE DISTANCE OF PANEL INSIDE SURFACE RELATIVE TO FRONT SURFACE OF PART IS ONLY A SUGGESTION. IN CASE THIS DISTANCE IS DIFFERENT, THE REQUIRED PANEL OPENING DIMENSIONS CHANGE ACCORDINGLY.

PACKING INFORMATION

PACKING TRAY : 0200-9999-D4(TOP)

0200-9999-D5(BOTTOM)

PACKING QUANTITY : 60 PCS FINISHED GOODS PER TRAY

11 TRAYS (660 PCS FINISHED GOODS) PER CARTON BOX

NOTE : CARDBOARDS ARE PLACED BETWEEN LAYERS OF PACKING TRAY INSIDE CARTON BOX
(INCLUDE THE UPPERMOST AND LOWERMOST TRAY)

| | | | | | | | | | |
|--------------------------|------------------|--|--|---------------------------------|--------|------------------------------|------------------|----------|---|
| ORIGINATED BY LIU QIN | DATE 06-22-09 | TITLE MagJack® (4 Cores, MDIX, CM Termination) Extended temperature 08B0-1B1T-36-F PATENTED | PART NO. / DRAWING NO. 08B01B1T36-F | STANDARD DIM. TOL. IN INCH | | [] METRIC DIM. AS REFERENCE | | REV. : A | bel COMPONENTS FOR A CONNECTED PLANET™ |
| | DATE 06-22-09 | | | FILE NAME 08B01B1T36-F_A.DWG | .X | | UNIT : INCH [mm] | | |
| | | | | .XX | | PAGE : 5 | | | |
| | | | | .XXX | ±0.004 | | | | |