

Sine wave output filter

new

**Description**

- Design corresponding to UL 1283, CSA 22.2 No. 8, IEC/EN60939
- Standard versions include insulated safety screw terminals
- Enhancement of the system efficiency

Applications

- Optimized for long motor cables (up to 200 m) and operation under full load
- Frequency converters in uninterruptible power supplies, elevators, heating-, ventilating- and air conditioning-systems, traction and conveyer systems

Weblinks

[pdf-datasheet](#), [html-datasheet](#), [General Product Information](#), [Approvals](#), [RoHS](#), [CHINA-RoHS](#), [e-Shop](#), [SCHURTER-Stock-Check](#), [Distributor-Stock-Check](#), [Detailed request for product](#)

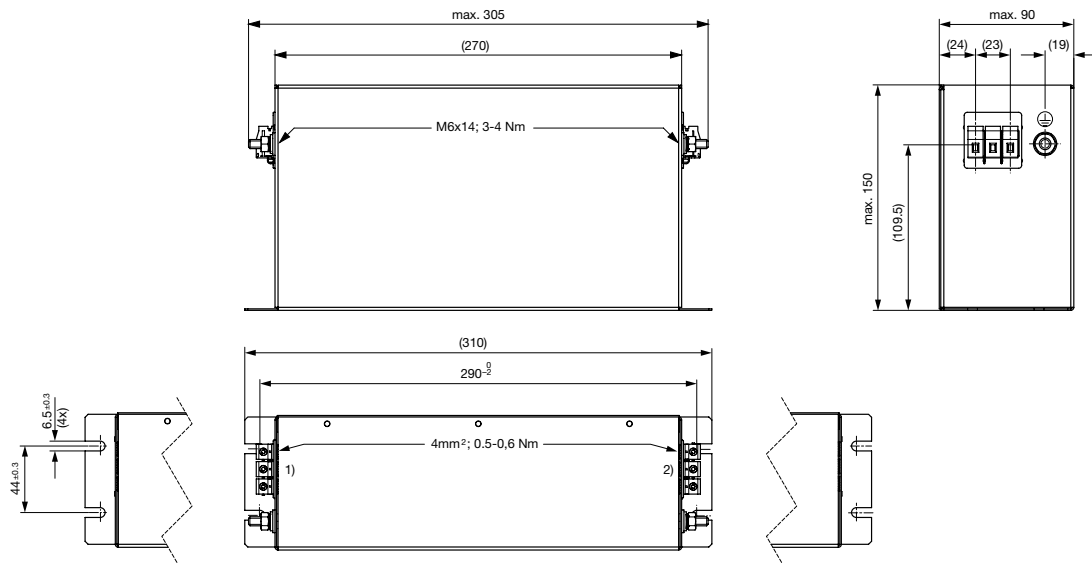
Technical Data

Rated Current	4 - 16 A @ Ta 40 °C
Rated voltage	500/288 VAC; 50/60 Hz
Approval for	4 - 16 A @ Ta °C / 500/288 VAC; 50 Hz
Overload Current	1.5 x I _r for 1 minute, per hour
Dielectric Strength	2.5 kVDC between L-L
	1.1 kVDC between L-PE Test voltage (2 sec)
Weight	9 - 22 kg
Material: Housing	Metal
Sealing Compound	UL 94V-2

Mounting	Screw-on mounting on chassis, from top
Terminal	Screw clamps
Operating Temperature [°C]	-25 °C to 100 °C
Climatic Category	25/100/21 acc. to IEC 60068-1
Degree of Protection	IP 20 acc. to IEC 60529
Protection Class	Suitable for appliances with protection class I acc. to IEC 61140

Dimensions

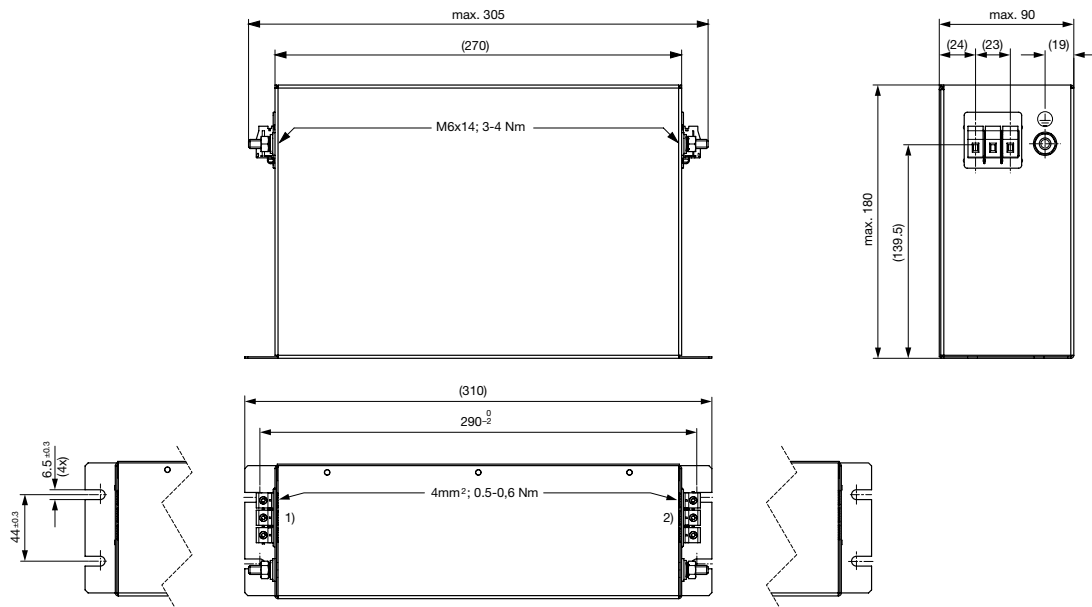
Case 2K



1) Inverter

2) Motor

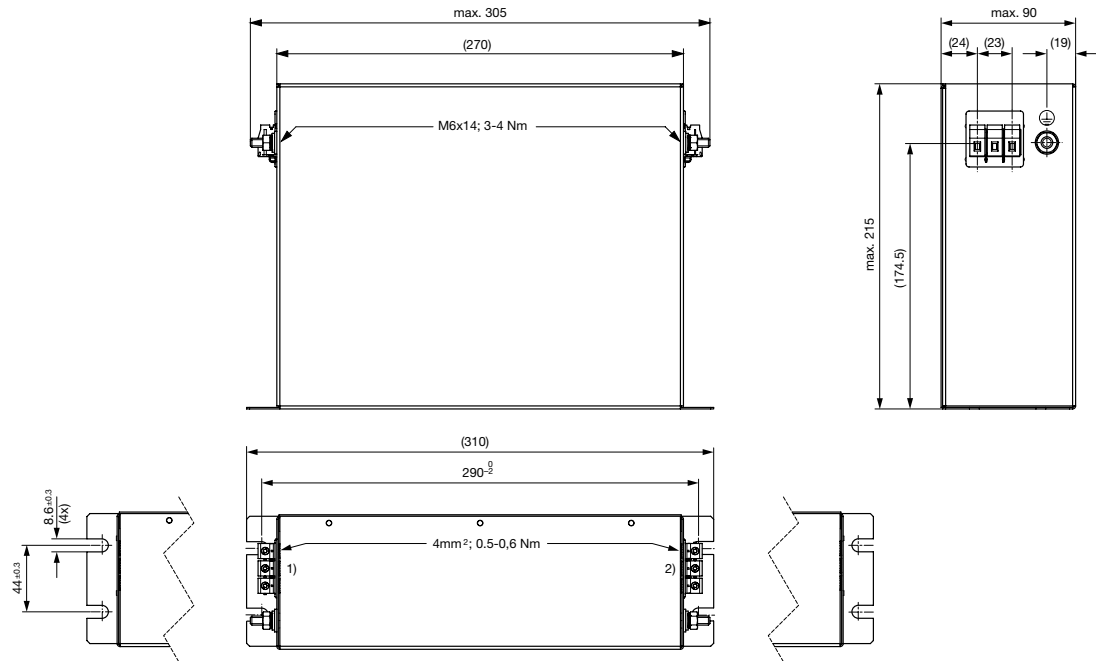
Case 2L



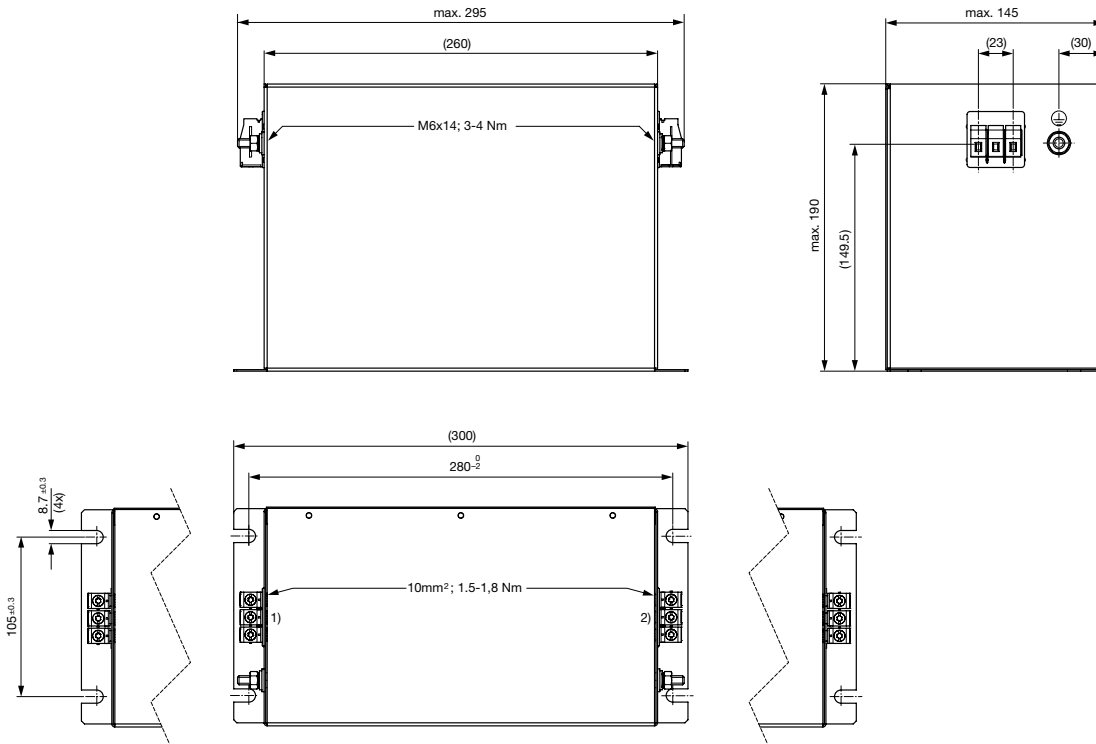
1) Inverter

2) Motor

Case 2M

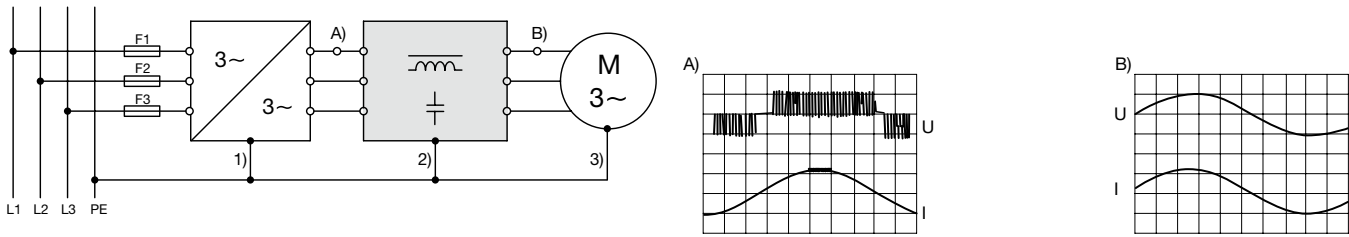


- 1) Inverter
 - 2) Motor
- Case 2N



- 1) Inverter
- 2) Motor

Diagrams



1) Inverter 2) Sine wave output filter 3) Motor

Variants

Rated Current	Rated voltage	Switching frequency	Motor frequency	Rated motor power	Motor cable length	DC resistance	Total power loss	Weight	Housing	Order Number
[A]	[VAC]	[kHz]	[Hz]	[kW]	[m]	[mΩ]	[W]	[kg]		
4	-	2...20	0...200	1.5	200m	400	7	9	2K	FMAC-0S2K-0462-A
8	-	2...20	0...200	3.0	200m	180	12	12	2L	FMAC-0S2L-0862-A
12	-	2...20	0...200	5.5	200m	120	18	15	2M	FMAC-0S2M-1262-A
16	-	2...20	0...200	7.5	200m	170	44	22	2N	FMAC-0S2N-1662-A

Packaging unit

1 Pcs