

**PRELIMINARY DATA SHEET**

# SKY65052-372LF: 0.45-6.0 GHz Low Noise Transistor

## Applications

- Wireless infrastructure: WLAN, WiMAX, broadband, cellular base stations
- Test instrumentation
- LNA for GPS receivers
- Satellite receivers

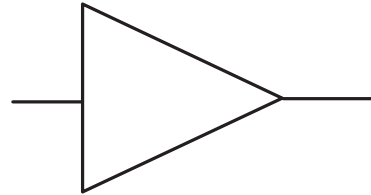
## Features

- Externally matched for wideband operation
- Noise Figure = 0.6 dB @ 2.4 GHz of device only
- Noise figure = 0.85 dB @ 2.4 GHz including matching network loss
- Gain = 16 dB @ 2.4 GHz
- OIP3 = +34 dBm @ 2.4 GHz
- P1dB = +19 dBm @ 2.4 GHz
- Adjustable supply current, 15 to 100 mA
- Unconditionally stable to 18 GHz with reference design circuit
- Small, SC-70 (4-pin, 2.20 x 1.35 x 1.10 mm) Pb-free package (MSL3, 260 °C per JEDEC J-STD-020)

**NEW**



Skyworks Green™ products are RoHS (Restriction of Hazardous Substances)-compliant, conform to the EIA/EICTA/JEITA Joint Industry Guide (JIG) Level A guidelines, are halogen free according to IEC-61249-2-21, and contain <1,000 ppm antimony trioxide in polymeric materials.



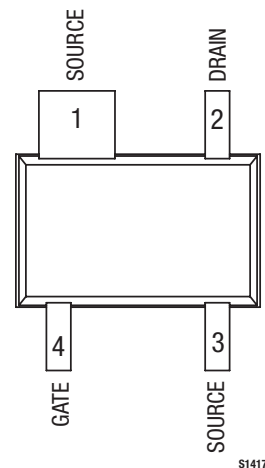
**Figure 1. SKY65052-372LF Block Diagram**

## Description

The SKY65052-372LF is a high performance, n-channel low-noise transistor. The device is fabricated from Skyworks advanced depletion mode pHEMT process and is provided in a 2.20 x 1.35 x 1.10 mm, 4-pin SC-70 package.

The transistor's low Noise Figure (NF), high gain, and excellent 3<sup>rd</sup> Order Intercept Point (IP3) allow the device to be used in various receiver and transmitter applications.

A functional block diagram is shown in Figure 1. The pin configuration and package are shown in Figure 2. Signal pin assignments and functional pin descriptions are provided in Table 1.



**Figure 2. SKY65052-372LF Pinout – 4-Pin SC-70 (Top View)**

**Table 1. SKY65052-372LF Signal Descriptions**

Pin #	Name	Description	Pin #	Name	Description
1	SOURCE	Source lead. Provides DC self-biasing point and AC ground.	3	SOURCE	Source lead. Provides DC self-biasing point and AC ground.
2	DRAIN	RF output. Supply voltage required through external RF choke.	4	GATE	RF input

**Functional Description**

The SKY65052-372LF is a depletion mode pHEMT designed for low noise, high frequency applications. The SKY65052-372LF has a typical NF of 0.6 dB tested at the 2.4 GHz wireless LAN frequency band. A gain of 15.5 dB typical is achieved using the same circuit. If the frequency of operation is lowered to the 1 GHz range, NF performance of the device can approach 0.85 dB including input matching network losses.

**Electrical and Mechanical Specifications**

The absolute maximum ratings of the SKY65052-372LF are provided in Table 2. The recommended operating conditions are specified in Table 3 and electrical specifications are provided in Table 4.

Performance characteristics for the SKY65052-372LF are illustrated in Figures 3 through 7.

**Table 2. SKY65052-372LF Absolute Maximum Ratings**

Parameter	Symbol	Minimum	Typical	Maximum	Units
Supply voltage	V <sub>DD</sub>		6		V
Input power	P <sub>IN</sub>		+15		dBm
Gate to source voltage	V <sub>GS</sub>		-5.0		V
Gate to drain voltage	V <sub>GD</sub>		-5.0		V
Drain to source current	I <sub>DS</sub>		110		mA
Gate to drain current	I <sub>GD</sub>		100		μA
Power dissipation	P <sub>DIS</sub>		240		mW
Junction temperature	T <sub>J</sub>		150		°C
Storage temperature	T <sub>STG</sub>	-65		+125	°C
Operating temperature	T <sub>OP</sub>	-40		+85	°C
Thermal resistance	θ <sub>JC</sub>		220		°C/W

**Note:** Exposure to maximum rating conditions for extended periods may reduce device reliability. There is no damage to device with only one parameter set at the limit and all other parameters set at or below their nominal value.

**Table 3. SKY65052-372LF Recommended Operating Conditions**

Parameter	Symbol	Minimum	Typical	Maximum	Units
Operating frequency	f	0.45		6.0	GHz
Supply voltage	V <sub>DD</sub>	2.00	5.00	5.25	V
Supply current	I <sub>DD</sub>	15	55	100	mA

**Table 4. SKY65052-372LF Electrical Specifications**

( $T_{OP} = +25\text{ }^{\circ}\text{C}$ , Characteristic Impedance [ $Z_0$ ] = 50  $\Omega$ ,  $V_{DD} = 5\text{ V}$ ,  $I_{DD} = 55\text{ mA}$ , Parameters Include Recommended Matching Networks, Unless Otherwise Noted)

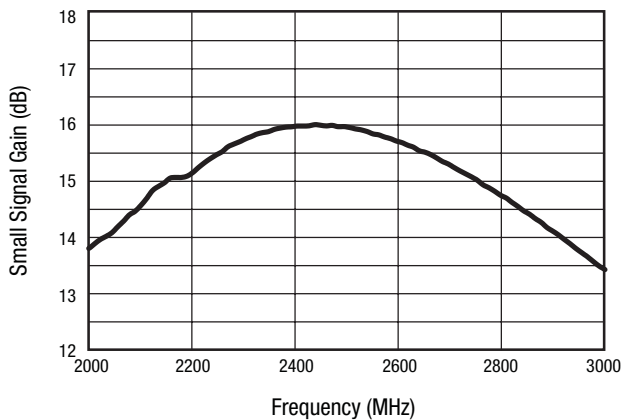
Parameter	Symbol	Test Condition	Min	Typical	Max	Units
Saturated drain current	$I_{DSS}$	$V_{DS} = 6\text{ V}$ , $V_{GS} = 0\text{ V}$	80	100	120	mA
Pinchoff voltage	$V_P$	$V_{DS} = 6\text{ V}$ , $I_{DS} = 2.5\%$ of $I_{DSS}$	-0.95	-0.80	-0.65	V
Transconductance	$g_M$	$V_{DS} = 6\text{ V}$ , $g_M = \Delta I_{DS} / \Delta V_{GS}$ , measured at $I_{DS} = 20\%$ of $I_{DSS}$	80	120	160	mS
Gate leakage current	$I_{GSS}$	$V_{GD} = V_{GS} = -3\text{ V}$		1	200	$\mu\text{A}$
Noise Figure	NF1 (Note 1) NF2 (Note 2)			0.60 0.85		dB dB
Gain	S21			16		dB
Input return loss	S11			-15		dB
Output return loss	S22			-9		dB
Reverse isolation	S12			-25		dB
3 <sup>rd</sup> Order Output Intercept Point	OIP3	$P_{OUT} = +5\text{ dBm/tone}$ , 1 MHz spacing		+34		dBm
3 <sup>rd</sup> Order Input Intercept Point	IIP3	$P_{OUT} = +5\text{ dBm/tone}$ , 1 MHz spacing		+18		dBm
1 dB Output Compression Point	OP1dB			+19		dBm
1 dB Input Compression Point	IP1dB			+4		dBm
Stability		Unconditionally stable up to 18 GHz		>1		K

**Note 1:** NF of device only. Input RF connector, board, and input matching network loss de-embedded from measurement.

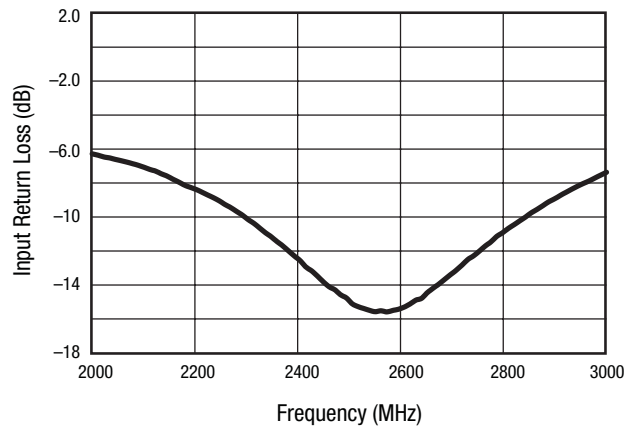
**Note 2:** NF of device and matching network. Input RF connector and board loss de-embedded from measurement.

### Typical Performance Characteristics

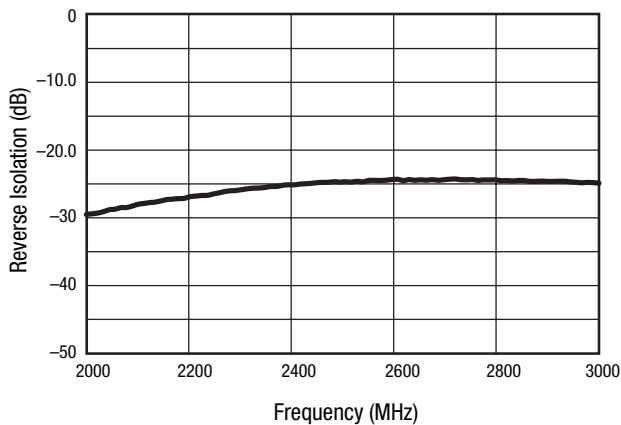
( $T_{OP} = +25\text{ }^{\circ}\text{C}$ , Characteristic Impedance [ $Z_0$ ] = 50  $\Omega$ ,  $V_{DD} = 5\text{ V}$ ,  $I_{DD} = 55\text{ mA}$ , Includes Recommended 2.4 GHz Matching Network, Unless Otherwise Noted)



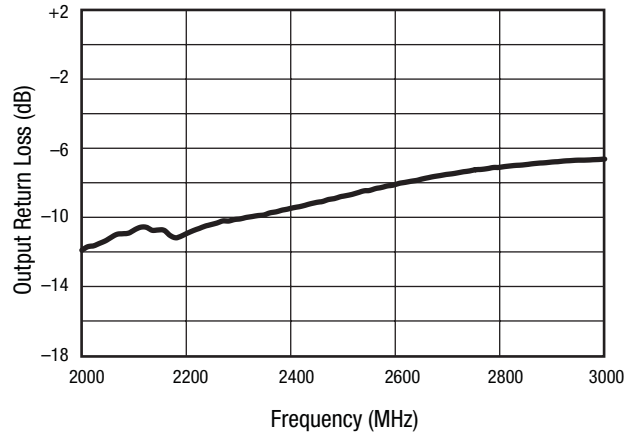
**Figure 3. Small Signal Gain vs Frequency Over Temperature**  
( $P_{IN} = -20\text{ dBm}$ )



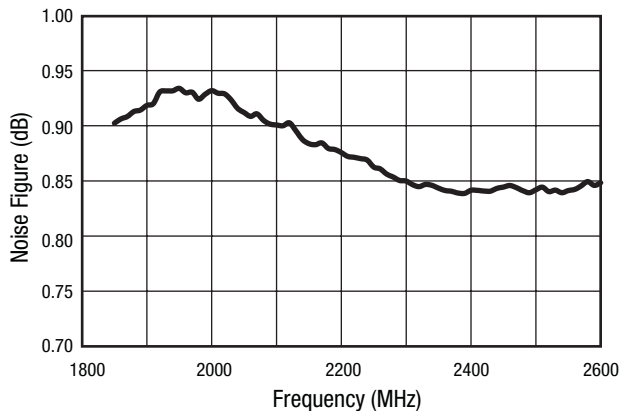
**Figure 4. Input Return Loss vs Frequency Over Temperature**  
( $P_{IN} = -20\text{ dBm}$ )



**Figure 5. Reverse Isolation vs Frequency Over Temperature (P<sub>IN</sub> = -20 dBm)**



**Figure 6. Output Return Loss vs Frequency Over Temperature (P<sub>IN</sub> = -20 dBm)**



**Figure 7. Noise Figure vs Frequency, Input RF Connector and Board Trace De-Embedded From Measurement**

### Evaluation Board Description

The SKY65052-372LF Evaluation Board is used to test the performance of the SKY65052-372LF low noise transistor. An assembly drawing for the Evaluation Board is shown in Figure 8. The Evaluation Board schematic diagram is shown in Figure 9. Table 5 provides the Bill of Materials (BOM) list for Evaluation Board components.

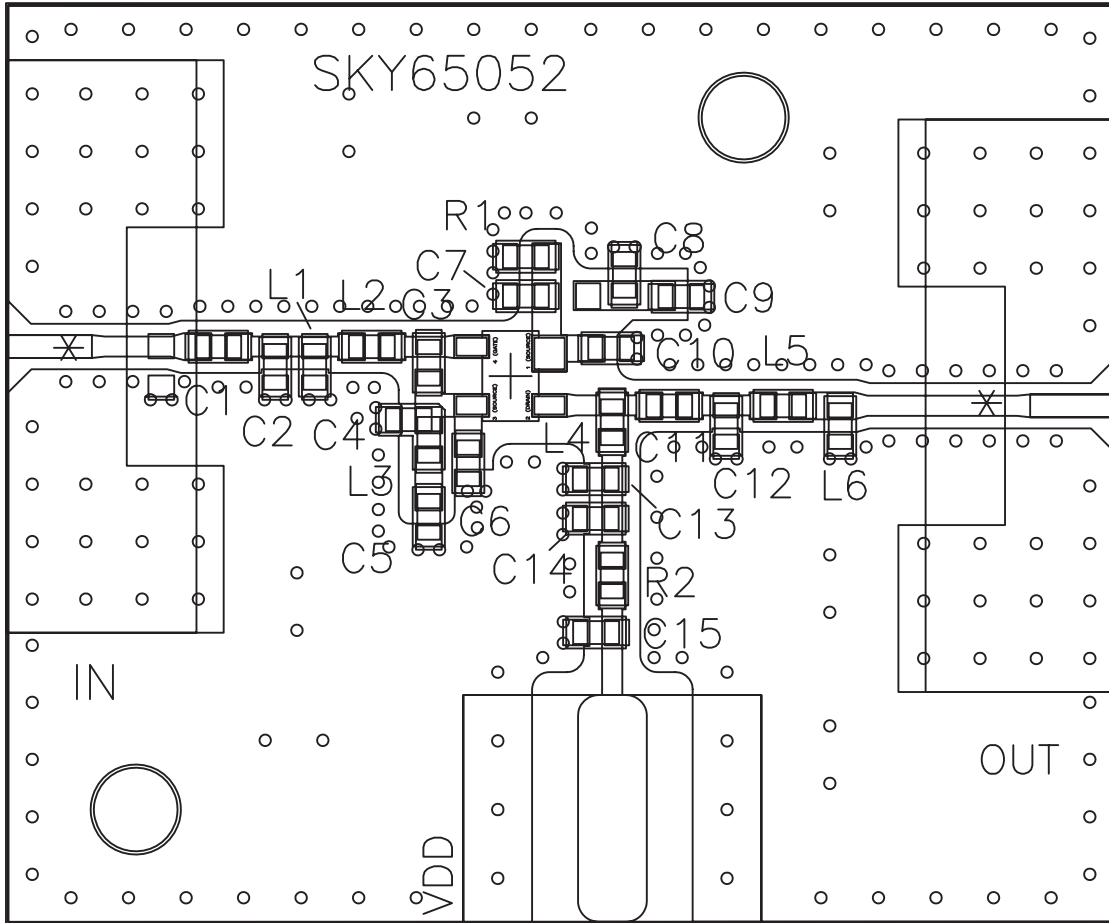
### Circuit Design Considerations

Input and output traces have been minimized to reduce losses. All surface mount components are 0402-sized to reduce component parasitics. Use of 0603 or larger components is not recommended. Component spacing has also been minimized. The board is provisioned with two RF connectors and a DC launch. RF connector and board loss up to component C1 is approximately 0.1 dB at 2.4 GHz.

Board material is 10 mil VT47 FR4 with 1 oz. copper cladding. The RF traces are 50 Ω.

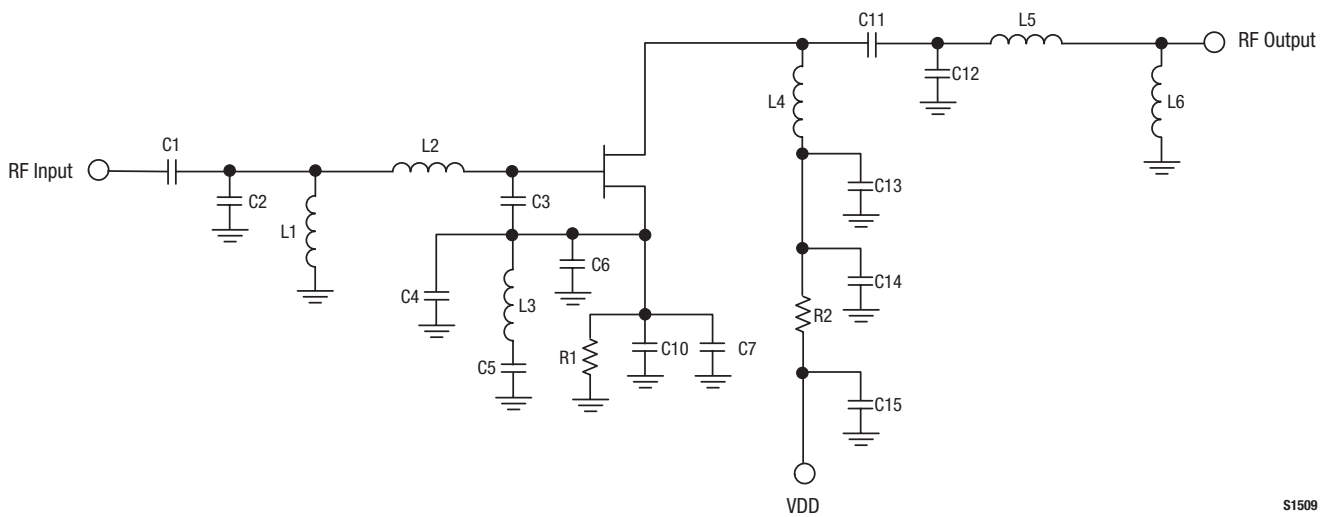
### Evaluation Board Test Procedure

- Step 1: Connect RF test equipment to amplifier input/output SMA connectors.
- Step 2: Connect DC ground.
- Step 3: Connect VDD to a +5 V supply with a current limit of 100 mA. Verify that the board draws approximately 55 mA.
- Step 4: Apply RF signal or noise source.



S1511

Figure 8. SKY65052-372LF Evaluation Board Assembly Diagram



S1509

Figure 9. SKY65052-372LF Evaluation Board Schematic

**Table 5. SKY65052-372LF Evaluation Board Bill of Materials**

Component	Value	Size	Manufacturer/Part Series
C1	33 pF	0402	Murata GRM015
C2	1.2 pF	0402	Murata GJM015
C3	0.3 pF	0402	Murata GJM015
C4, C5, C8, C9, C14	DNP		
C6	10000 pF	0402	Murata GRM015
C7	10000 pF	0402	Murata GRM015
C10	10000 pF	0402	Murata GRM015
C11	4.7 pF	0402	Murata GJM015
C12	0.3 pF	0402	Murata GJM015
C13	3.9 pF	0402	Murata GRM015
C15	1000 pF	0402	Murata GRM015
L1	12 nH	0402	Coilcraft HP
L2	2 nH	0402	Coilcraft HP
L3	DNP		
L4	5.6 nH	0402	Coilcraft HP
L5	0 Ω	0402	Panasonic
L6	6.8 nH	0402	Taiyo Yuden HK
R1	4.7 Ω	0402	Panasonic
R2	7.5 Ω	0402	Panasonic

**Package Dimensions**

The PCB layout footprint for the SKY65052-372LF is shown in Figure 10. Typical case markings are shown in Figure 11. Package dimensions for the 4-pin SC-70 are shown in Figure 12, and tape and reel dimensions are provided in Figure 13.

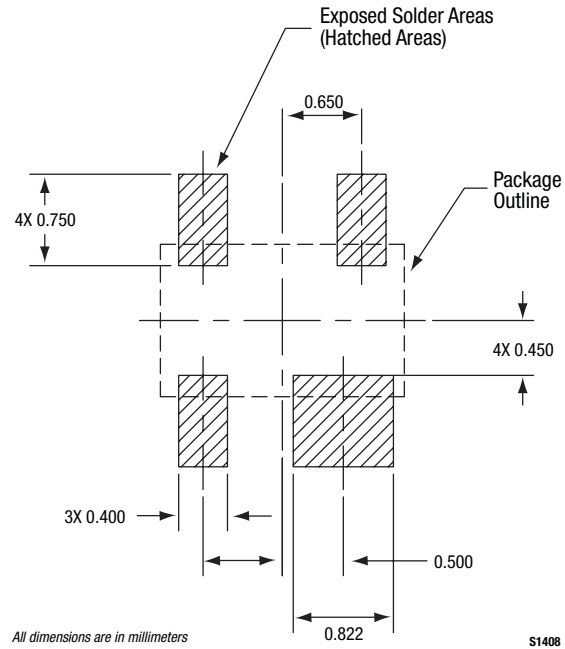
**Package and Handling Information**

Since the device package is sensitive to moisture absorption, it is baked and vacuum packed before shipping. Instructions on the shipping container label regarding exposure to moisture after the container seal is broken must be followed. Otherwise, problems related to moisture absorption may occur when the part is subjected to high temperature during solder assembly.

THE SKY65052-372LF is rated to Moisture Sensitivity Level 3 (MSL3) at 260 °C. It can be used for lead or lead-free soldering. Care must be taken when attaching this product, whether it is done manually or in a production solder reflow environment. Production quantities of this product are shipped in a standard tape and reel format. For packaging details, refer to the Skyworks Application Note, *Discrete Devices and IC Switch/Attenuators Tape and Reel Package Orientation*, document number 200083.

**Electrostatic Discharge (ESD) Sensitivity**

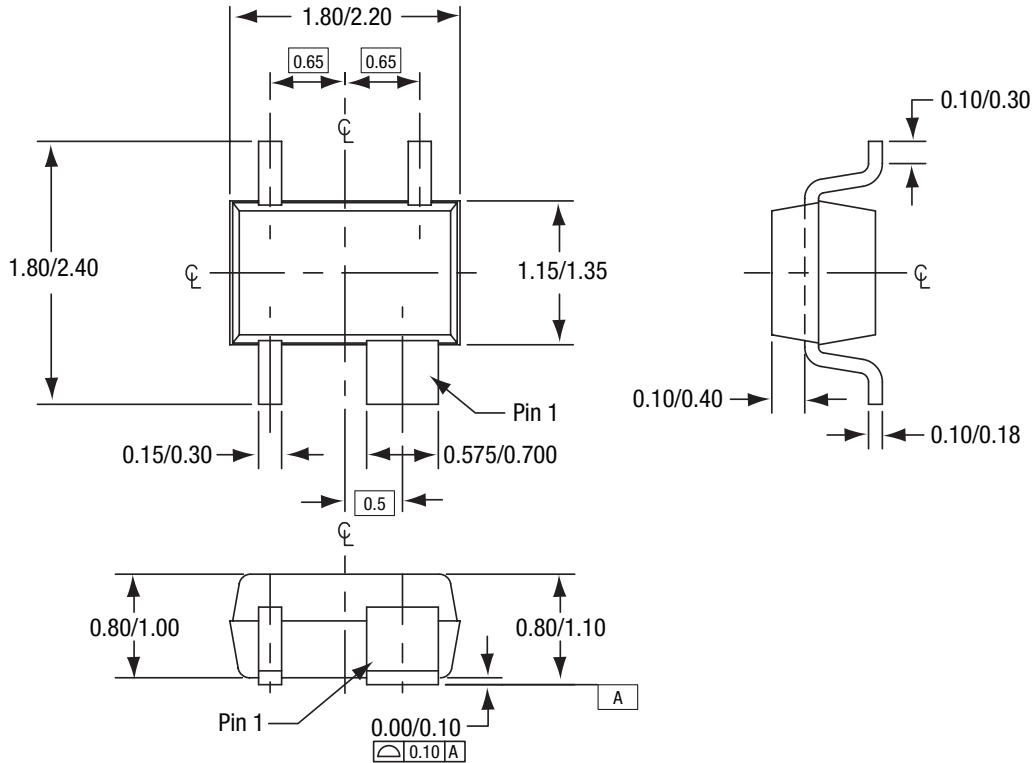
The SKY65052-372LF is a static-sensitive electronic device. Do not operate or store near strong electrostatic fields. Take proper ESD precautions.



**Figure 10. SKY65052-372LF PCB Layout Footprint**

**\*\* TBD \*\***

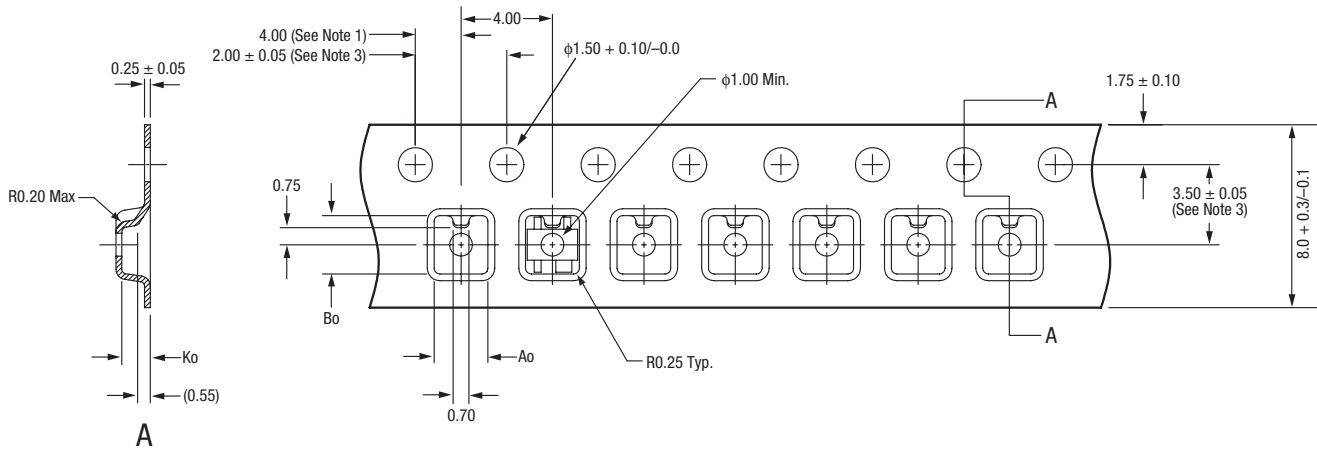
**Figure 11. Typical Case Markings (Top View)**



Dimensioning and tolerancing according to ASME Y14.5M-1994.  
All measurements are in millimeters

S1409

Figure 12. SKY65052-372LF 4-Pin SC-70 Package Dimensions



Notes:

1. 10 sprocket hole pitch cumulative tolerance  $\pm 0.2$ .
2. Camber in compliance with EIA 481.
3. Pocket position relative to sprocket hole measured as true position of pocket, not pocket hole.
4.  $A_o$  and  $B_o$  are calculated on a plane at a distance "R" above the bottom of the pocket.
5. Carrier tape: black conductive polycarbonate or polystyrene.
6. Cover tape material: transparent conductive PSA.
7. Cover tape size: 21.3mm width.
8. All measurements are in millimeters.

$A_o = 2.35$   
 $B_o = 2.55$   
 $K_o = 1.25$

S1510

Figure 13. SKY65052-372LF Tape and Reel Dimensions



## Ordering Information

Model Name	Manufacturing Part Number	Evaluation Kit Part Number
SKY65052-372LF Low Noise Transistor	SKY65052-372LF (Pb-free package)	*** TBD ***

Copyright © 2009 Skyworks Solutions, Inc. All Rights Reserved.

Information in this document is provided in connection with Skyworks Solutions, Inc. ("Skyworks") products or services. These materials, including the information contained herein, are provided by Skyworks as a service to its customers and may be used for informational purposes only by the customer. Skyworks assumes no responsibility for errors or omissions in these materials or the information contained herein. Skyworks may change its documentation, products, services, specifications or product descriptions at any time, without notice. Skyworks makes no commitment to update the materials or information and shall have no responsibility whatsoever for conflicts, incompatibilities, or other difficulties arising from any future changes.

No license, whether express, implied, by estoppel or otherwise, is granted to any intellectual property rights by this document. Skyworks assumes no liability for any materials, products or information provided hereunder, including the sale, distribution, reproduction or use of Skyworks products, information or materials, except as may be provided in Skyworks Terms and Conditions of Sale.

THE MATERIALS, PRODUCTS AND INFORMATION ARE PROVIDED "AS IS" WITHOUT WARRANTY OF ANY KIND, WHETHER EXPRESS, IMPLIED, STATUTORY, OR OTHERWISE, INCLUDING FITNESS FOR A PARTICULAR PURPOSE OR USE, MERCHANTABILITY, PERFORMANCE, QUALITY OR NON-INFRINGEMENT OF ANY INTELLECTUAL PROPERTY RIGHT; ALL SUCH WARRANTIES ARE HEREBY EXPRESSLY DISCLAIMED. SKYWORKS DOES NOT WARRANT THE ACCURACY OR COMPLETENESS OF THE INFORMATION, TEXT, GRAPHICS OR OTHER ITEMS CONTAINED WITHIN THESE MATERIALS. SKYWORKS SHALL NOT BE LIABLE FOR ANY DAMAGES, INCLUDING BUT NOT LIMITED TO ANY SPECIAL, INDIRECT, INCIDENTAL, STATUTORY, OR CONSEQUENTIAL DAMAGES, INCLUDING WITHOUT LIMITATION, LOST REVENUES OR LOST PROFITS THAT MAY RESULT FROM THE USE OF THE MATERIALS OR INFORMATION, WHETHER OR NOT THE RECIPIENT OF MATERIALS HAS BEEN ADVISED OF THE POSSIBILITY OF SUCH DAMAGE.

Skyworks products are not intended for use in medical, lifesaving or life-sustaining applications, or other equipment in which the failure of the Skyworks products could lead to personal injury, death, physical or environmental damage. Skyworks customers using or selling Skyworks products for use in such applications do so at their own risk and agree to fully indemnify Skyworks for any damages resulting from such improper use or sale.

Customers are responsible for their products and applications using Skyworks products, which may deviate from published specifications as a result of design defects, errors, or operation of products outside of published parameters or design specifications. Customers should include design and operating safeguards to minimize these and other risks. Skyworks assumes no liability for applications assistance, customer product design, or damage to any equipment resulting from the use of Skyworks products outside of stated published specifications or parameters.

Skyworks, the Skyworks symbol, and "Breakthrough Simplicity" are trademarks or registered trademarks of Skyworks Solutions, Inc., in the United States and other countries. Third-party brands and names are for identification purposes only, and are the property of their respective owners. Additional information, including relevant terms and conditions, posted at [www.skyworksinc.com](http://www.skyworksinc.com), are incorporated by reference.