

THE INFORMATION CONTAINED HEREIN IS CONSIDERED "PROPRIETARY" TO BEL FUSE INC. AND SHALL NOT BE COPIED, REPRODUCED OR DISCLOSED WITHOUT THE WRITTEN APPROVAL OF BEL FUSE INC.



| LED 2 & 4 POLARITY | | | LED 1 & 3 POLARITY | | |
|--------------------|--------|--------|--------------------|--------|--------|
| PIN 11 | PIN 12 | COLOR | PIN 13 | PIN 14 | COLOR |
| - | + | YELLOW | - | + | YELLOW |
| + | - | GREEN | + | - | GREEN |

ELECTRICAL CHARACTERISTICS @ 25°C

URNS RATIO

| | |
|-----|---------------|
| TP1 | 1CT : 1CT ±2% |
| TP2 | 1CT : 1CT ±2% |
| TP3 | 1CT : 1CT ±2% |
| TP4 | 1CT : 1CT ±2% |

QCL @ 100kHz/100mVRMS

8mA DC BIAS 350µH MIN.

INS. LOSS

| | |
|------------------|-------------|
| 0.1MHz TO 1MHz | -1.1 dB MAX |
| 1MHz TO 65MHz | -0.5 dB MAX |
| 65MHz TO 100MHz | -0.8 dB MAX |
| 100MHz TO 125MHz | -1.2 dB MAX |

RET. LOSS (MIN) @ 100ΩHMS ±15%

| | |
|--------------|-----------------------|
| 0.5MHz-40MHz | -18 dB |
| 40MHz-100MHz | -12+20LOG(f/80MHz) dB |

CM TO CM REJ

100kHz - 100MHz -30 dB MIN

CM TO DM REJ

100kHz - 100MHz -35 dB MIN

HIPDT (Isolation Voltage):

| | |
|-------------------|-----------|
| RJ1-8 TO SHIELD | 1500 Vrms |
| RJ1-8 TO PIN1-10 | 1500 Vrms |
| PIN1-14 TO SHIELD | 800 VDC |

HIPDT (Isolation Voltage): 1500 Vrms

100% OF PRODUCTION TESTED TO COMPLY WITH IEEE 802.3 ISOLATION REQUIREMENTS.

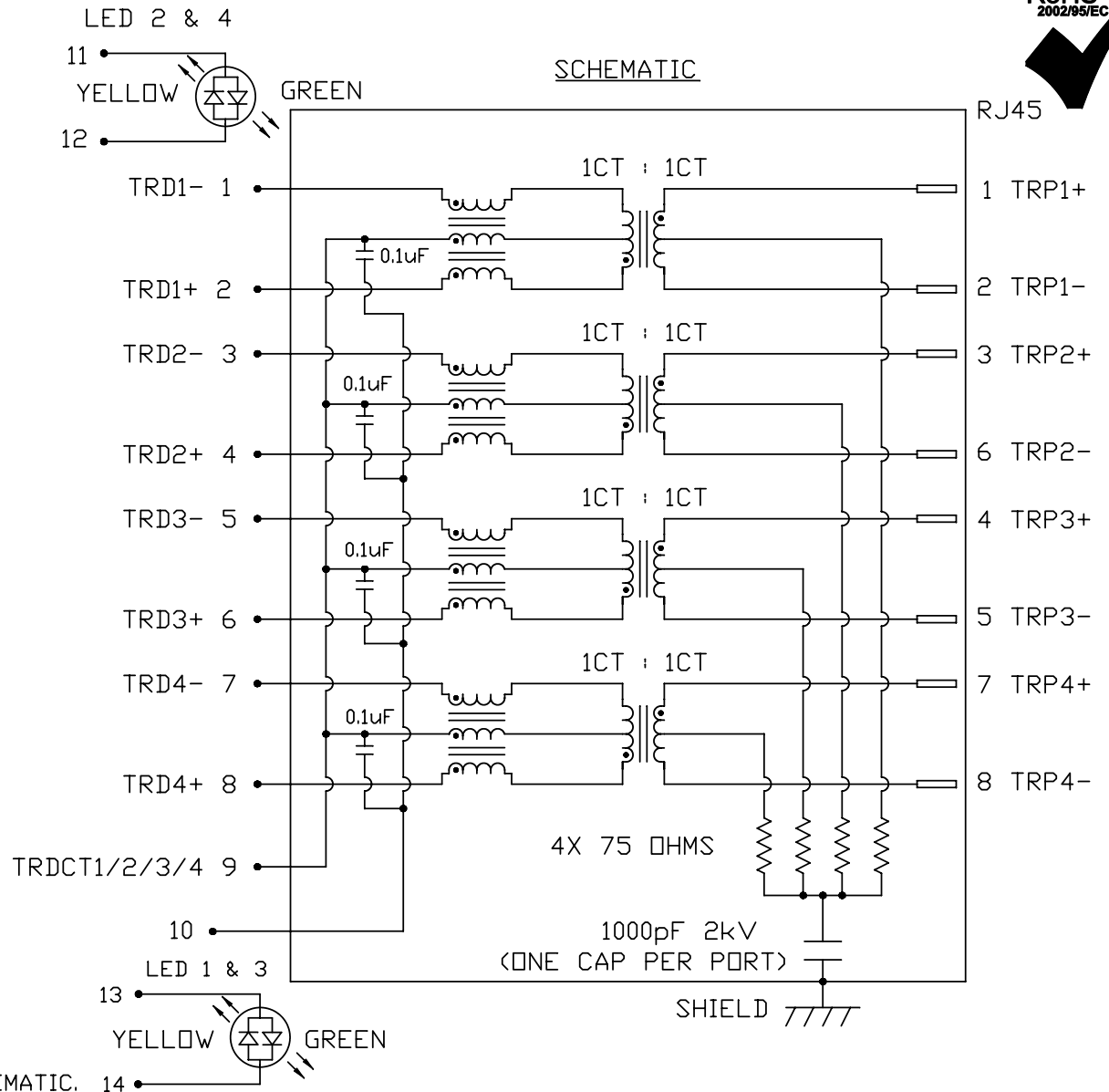
LEDS 1, 2, 3 AND 4

| | |
|--------------------------|---------------------------|
| VF (FORWARD VOLTAGE) | IF=20mA GREEN 2.2V TYP. |
| | IF=20mA YELLOW 2.1V TYP. |
| λD (DOMINANT WAVELENGTH) | IF=20mA GREEN 565nm TYP. |
| | IF=20mA YELLOW 590nm TYP. |

OPERATING TEMPERATURE: -40°C TO 85°C

REMARK:

THIS SCHEMATIC IS DIFFERENT FROM BEL STANDARD SCHEMATIC.



| | |
|----------------------|-------------|
| ORIGINATED BY | DATE |
| CHOW WANGCHUNG | 06-29-09 |
| DRAWN BY | DATE |
| LEE WEIDE | 06-29-09 |

| |
|---|
| TITLE |
| 2X2 gigabit MagJack® WITH UPPER AND LOWER LED (8 Cores) PATENTED |

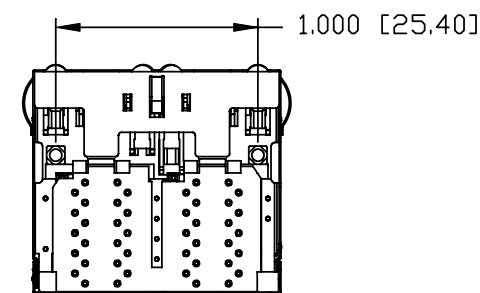
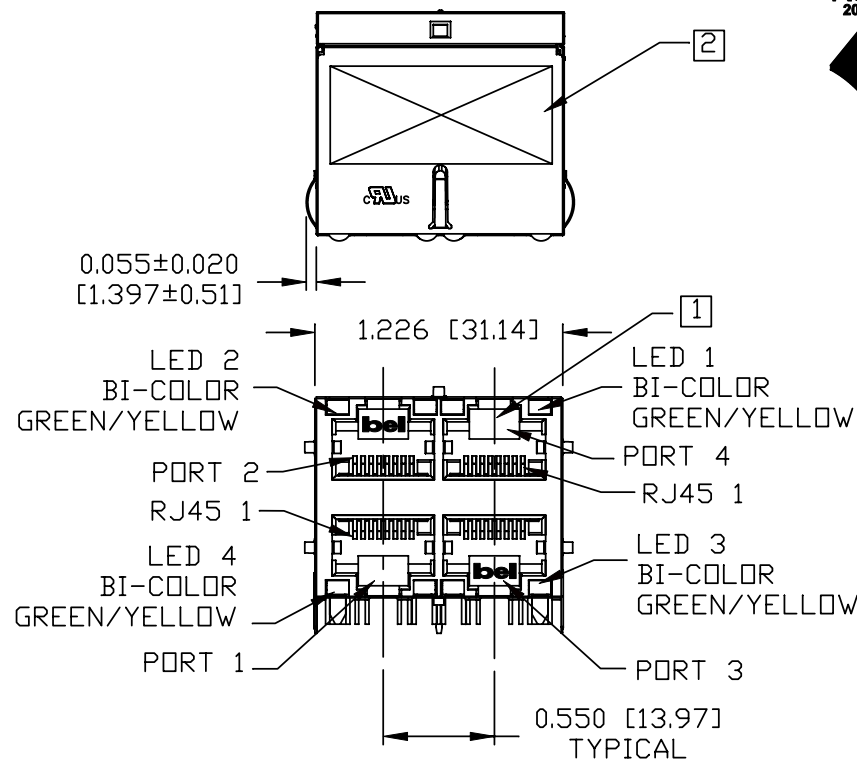
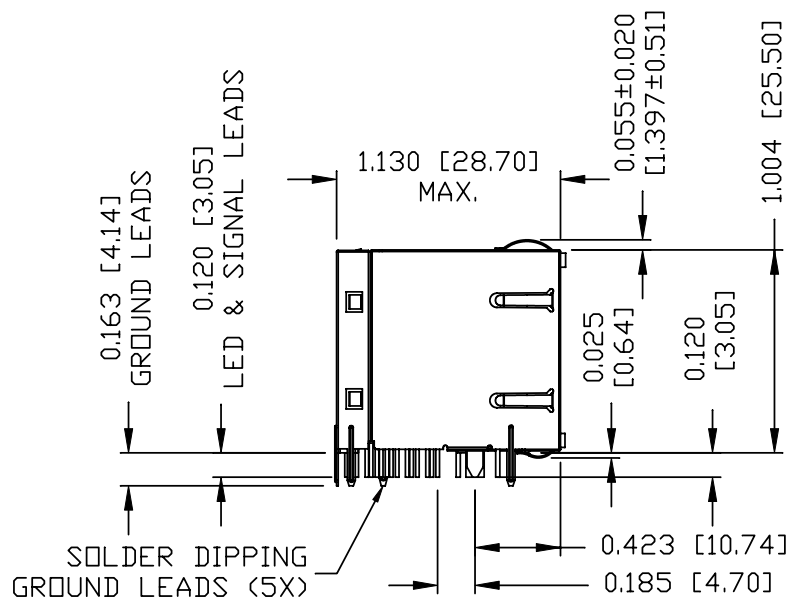
| |
|-------------------------------|
| PART NO. / DRAWING NO. |
| 0879-2C2R-Y4 |
| FILE NAME |
| 0879-2C2R-Y4_C.DWG |

| |
|-----------------------------------|
| STANDARD DIM. TOL. IN INCH |
| .X |
| .XX |
| .XXX |

| | |
|-------------------------------------|------------------|
| [] METRIC DIM. AS REFERENCE | |
| UNIT : INCH [mm] | REV. : C |
| SCALE : N/A | SIZE : A4 |
| | PAGE : 2 |



THE INFORMATION CONTAINED HEREIN IS CONSIDERED "PROPRIETARY" TO BEL FUSE INC. AND SHALL NOT BE COPIED, REPRODUCED OR DISCLOSED WITHOUT THE WRITTEN APPROVAL OF BEL FUSE INC.



NOTES:

PLASTIC HOUSING: THERMOPLASTIC PBT
 FLAMMABILITY RATING UL 94V-0
 CONTACT PLATING: 50 MICRO-INCH HARD GOLD PLATING
 OUTPUT PINS: TIN-COATED COPPER WIRE, DIA 0.018 INCH.
 METAL SHIELD: NICKEL PLATED ON COPPER ALLOY.
 (ALL GROUND LEADS ARE SOLDER DIPPED)

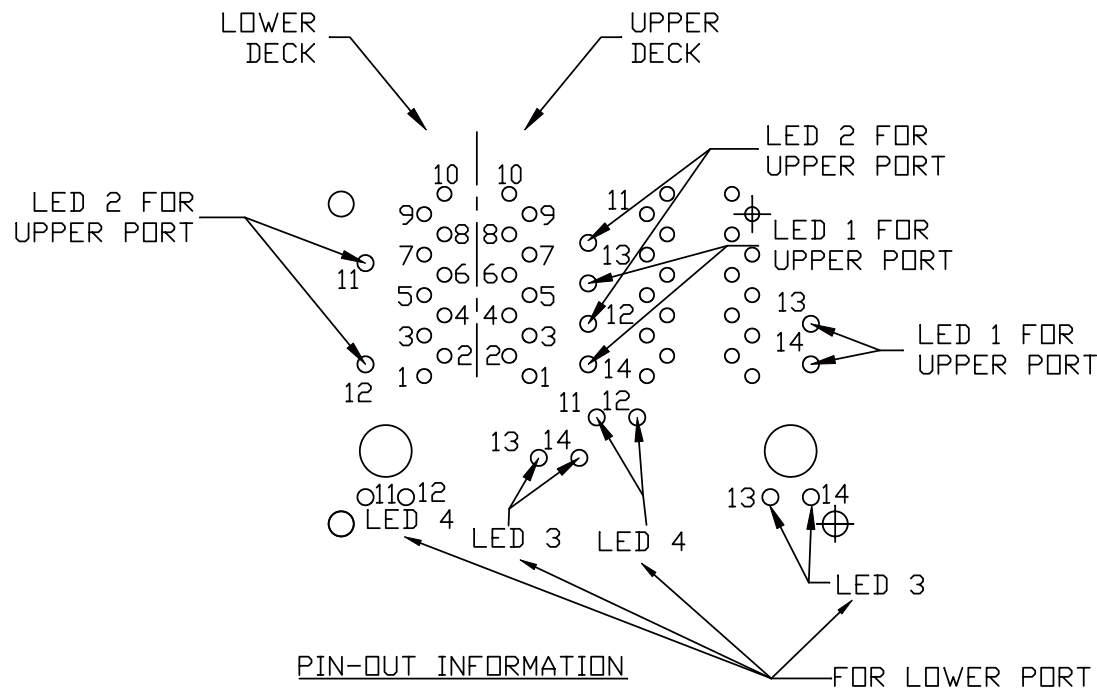
- 1. JACK CAVITY CONFORMS TO FCC RULES AND REGULATIONS, PART 68 SUBPART F.
- 2. MARK PART WITH MFG LOGO, MFG NAME, PART NUMBER, DATE CODE AND PATENTED.
- 3. RoHS COMPLIANCE, PER EU DIRECTIVE 2002/95/EC.
- 4. THE PRODUCT IS PATENTED, THE PATENT NUMBER IS U.S. PAT. 5,736,910.

RoHS COMPLIANT - FILE #E196366 AND E169987.

| | | | | | | | | |
|--------------------------|------------------|--|--|---|------------------------------|-------------|----------|----------|
| ORIGINATED BY LIU QIN | DATE 06-29-09 | TITLE 2X2 gigabit MagJack® WITH UPPER AND LOWER LED (8 Cores) PATENTED | PART NO. / DRAWING NO. 0879-2C2R-Y4 | STANDARD DIM. TOL. IN INCH .X .XX .XXX ±0.010 | [] METRIC DIM. AS REFERENCE | | REV. : C | PAGE : 3 |
| | | | | | UNIT : INCH [mm] | SCALE : N/A | | |
| DRAWN BY XIAN JIAXIN | DATE 06-29-09 | | FILE NAME 0879-2C2R-Y4_C.DWG | | | | | |



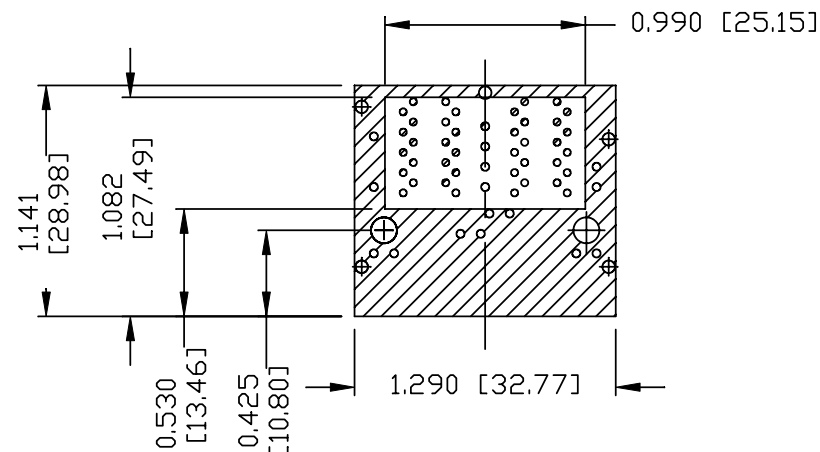
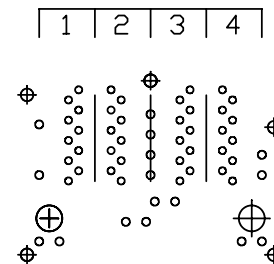
THE INFORMATION CONTAINED HEREIN IS CONSIDERED "PROPRIETARY" TO BEL FUSE INC. AND SHALL NOT BE COPIED, REPRODUCED OR DISCLOSED WITHOUT THE WRITTEN APPROVAL OF BEL FUSE INC.



PIN-OUT INFORMATION
(COMPONENT SIDE VIEW)

| | |
|----|-------------|
| 10 | GND |
| 9 | TRCT1/2/3/4 |
| 8 | TRD 4+ |
| 7 | TRD 4- |
| 6 | TRD 3+ |
| 5 | TRD 3- |
| 4 | TRD 2+ |
| 3 | TRD 2- |
| 2 | TRD 1+ |
| 1 | TRD 1- |

PORT ASSIGNMENT
(COMPONENT SIDE VIEW)



THE SHADED AREA ON THE CUSTOMER BOARD ARE RECOMMENDED TO BE CLEAR OFF ANY VIA HOLE OR COMPONENT PAD.

| | |
|---------------------------------|-------------------------|
| ORIGINATED BY LIU QIN | DATE 06-29-09 |
| DRAWN BY XIAN JIAXIN | DATE 06-29-09 |

TITLE
2X2 gigabit MagJack®
WITH UPPER AND LOWER LED
(8 Cores)
PATENTED

| |
|---|
| PART NO. / DRAWING NO. 0879-2C2R-Y4 |
| FILE NAME 0879-2C2R-Y4_C.DWG |

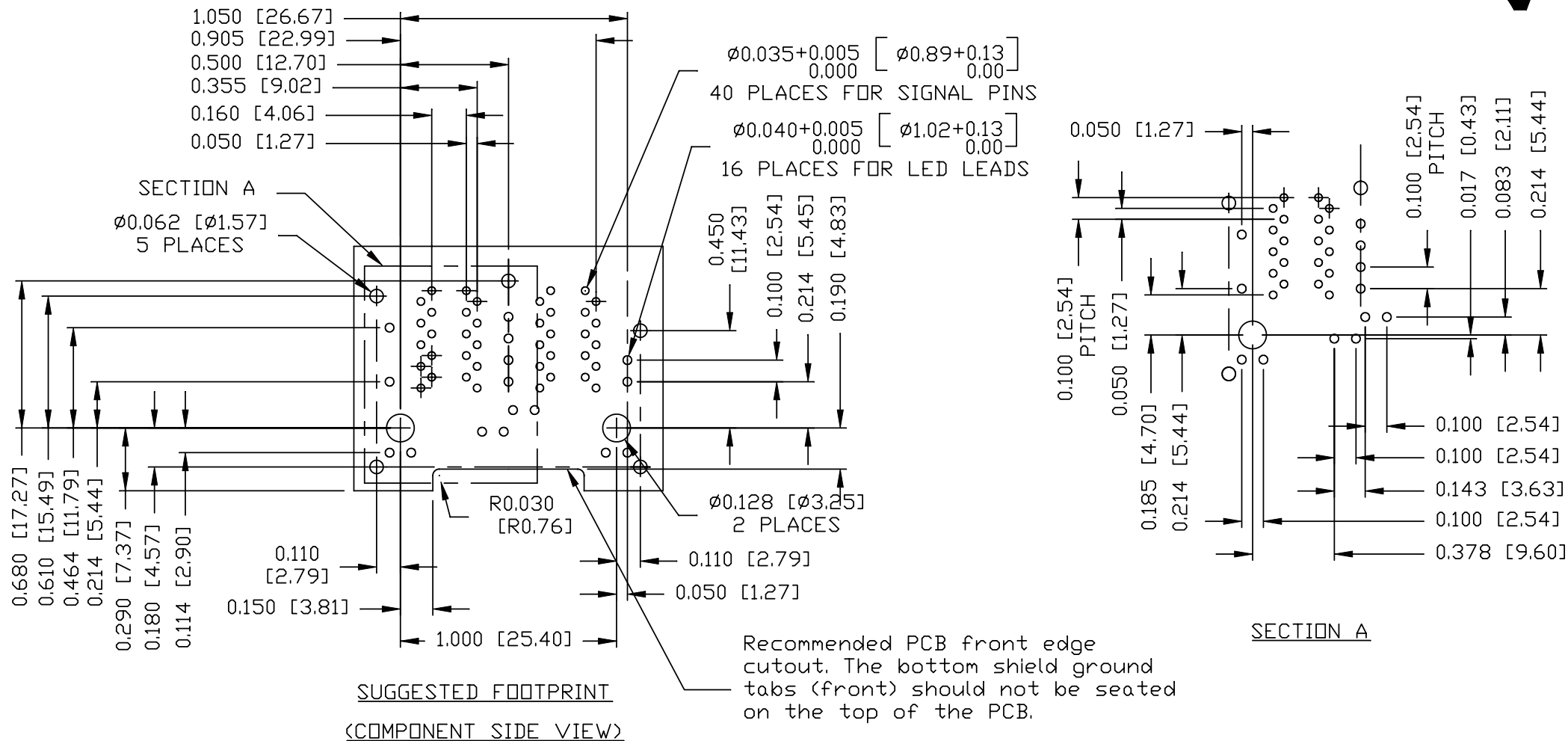
| |
|-----------------------------------|
| STANDARD DIM. TOL. IN INCH |
| .X |
| .XX |
| .XXX ±0.004 |

| | |
|-------------------------------------|-----------|
| [] METRIC DIM. AS REFERENCE | |
| UNIT : INCH [mm] | REV. : C |
| SCALE : N/A | SIZE : A4 |
| PAGE : 4 | |



THE INFORMATION CONTAINED HEREIN IS CONSIDERED "PROPRIETARY" TO BEL FUSE INC. AND SHALL NOT BE COPIED, REPRODUCED OR DISCLOSED WITHOUT THE WRITTEN APPROVAL OF BEL FUSE INC.

RoHS
2002/95/EC



| | |
|---------------|----------|
| ORIGINATED BY | DATE |
| LIU QIN | 06-29-09 |
| DRAWN BY | DATE |
| XIAN JIAXIN | 06-29-09 |

| | |
|-------|---|
| TITLE | 2X2 gigabit MagJack® WITH UPPER AND LOWER LED (8 Cores) PATENTED |
|-------|---|

| | |
|------------------------|--------------------|
| PART NO. / DRAWING NO. | 0879-2C2R-Y4 |
| FILE NAME | 0879-2C2R-Y4_C.DWG |

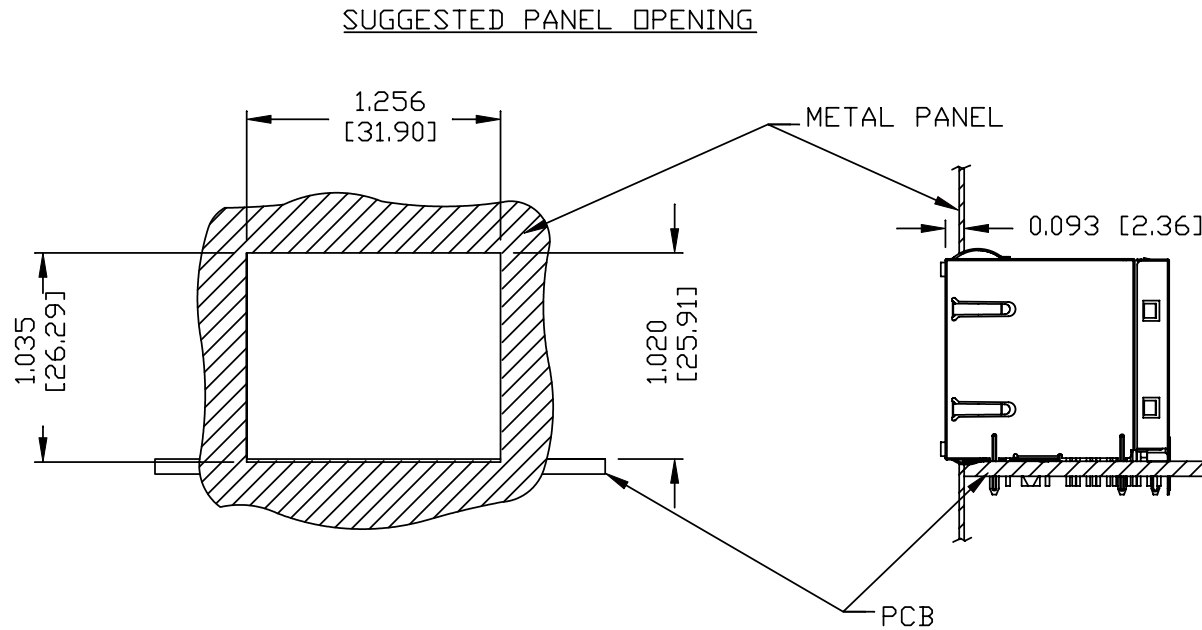
| | |
|----------------------------|------------------------------|
| STANDARD DIM. TOL. IN INCH | [] METRIC DIM. AS REFERENCE |
| .X | UNIT : INCH [mm] |
| .XX | SCALE : N/A |
| .XXX ±0.004 | REV. : C |
| | SIZE : A4 |
| | PAGE : 5 |

| | |
|------------------|-----------|
| UNIT : INCH [mm] | REV. : C |
| SCALE : N/A | SIZE : A4 |
| | PAGE : 5 |



THE INFORMATION CONTAINED HEREIN IS CONSIDERED "PROPRIETARY" TO BEL FUSE INC. AND SHALL NOT BE COPIED, REPRODUCED OR DISCLOSED WITHOUT THE WRITTEN APPROVAL OF BEL FUSE INC.

RoHS
2002/95/EC



NOTE:

THE DISTANCE OF PANEL INSIDE SURFACE RELATIVE TO FRONT SURFACE OF PART IS ONLY A SUGGESTION. IN CASE THIS DISTANCE IS DIFFERENT, THE REQUIRED PANEL OPENING DIMENSIONS CHANGE ACCORDINGLY.

PACKING INFORMATION

PACKING TRAY : 0200-9999-P5 (TOP)
0200-9999-P6 (BOTTOM)

PACKING QUANTITY : 28 PCS FINISHED GOODS PER TRAY
7 TRAYS (196 PCS FINISHED GOODS) PER CARTON BOX

NOTE : CARDBOARDS ARE PLACED BETWEEN LAYERS OF PACKING TRAY INSIDE CARTON BOX
(INCLUDE THE UPPERMOST AND LOWERMOST TRAY)

| | | | | | | | | | |
|--------------------------|---------------------------------|--|--|-------------------------------|--------|------------------------------|-------------|----------|---|
| ORIGINATED BY LIU QIN | DATE 06-29-09 | TITLE 2X2 gigabit MagJack® WITH UPPER AND LOWER LED (8 Cores) PATENTED | PART NO. / DRAWING NO. 0879-2C2R-Y4 | STANDARD DIM. TOL. IN INCH | | [] METRIC DIM. AS REFERENCE | | REV. : C | bel COMPONENTS FOR A CONNECTED PLANET™ |
| | FILE NAME 0879-2C2R-Y4_C.DWG | | | .X .XX .XXX | ±0.004 | UNIT : INCH [mm] | SCALE : N/A | | |
| DRAWN BY XIAN JIAXIN | DATE 06-29-09 | | | | | | | PAGE : 6 | |