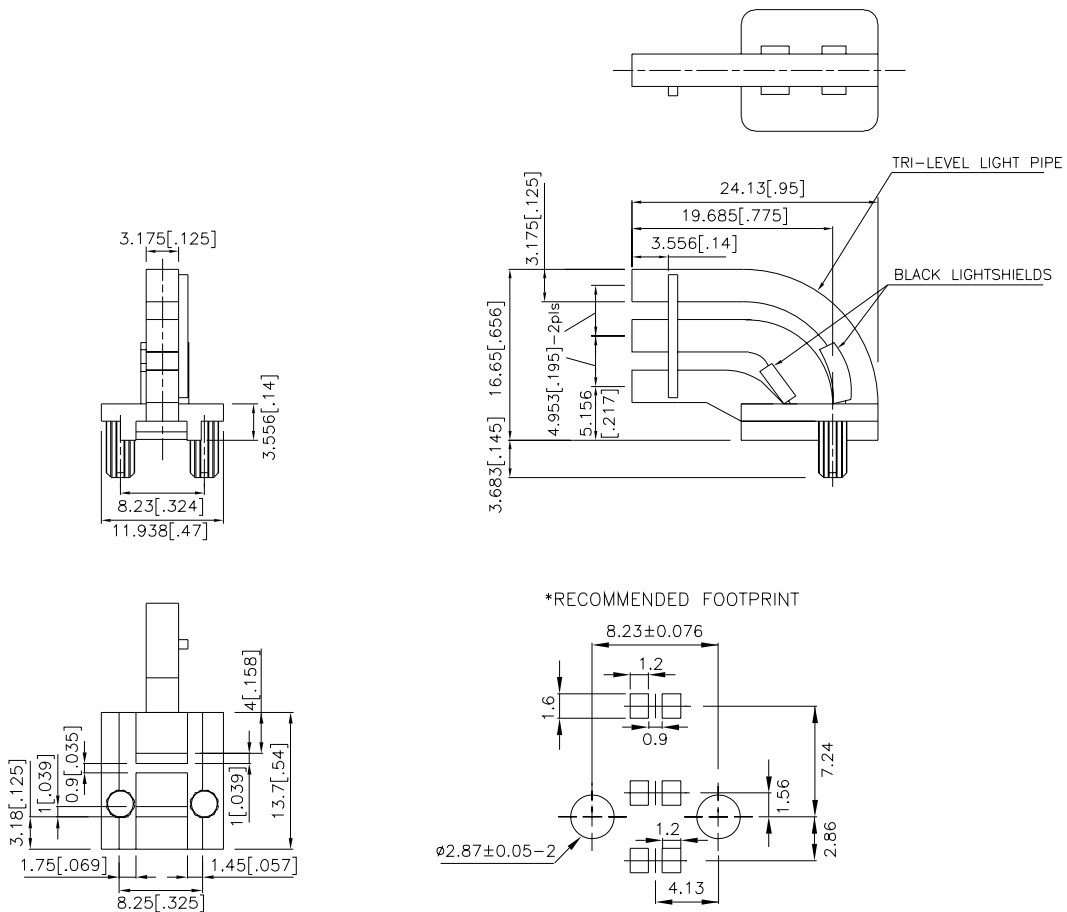


Part Number: KL-07LS

Features

- WIDE VIEWING ANGLE.
- DESIGNED TO REPLACE RECTANGULAR RIGHT ANGLE THROUGH HOLE DEVICE.
- HIGH TRANSMISSIVITY PLYCARBONATE MATERIAL.
- UL94V-0 COMPLIANCE.
- RoHS COMPLIANT.

Package Dimensions



Notes:

1. All dimensions are in millimeters (inches).
2. Tolerance is $\pm 0.25(0.01)$ unless otherwise noted.
3. Specifications are subject to change without notice.

