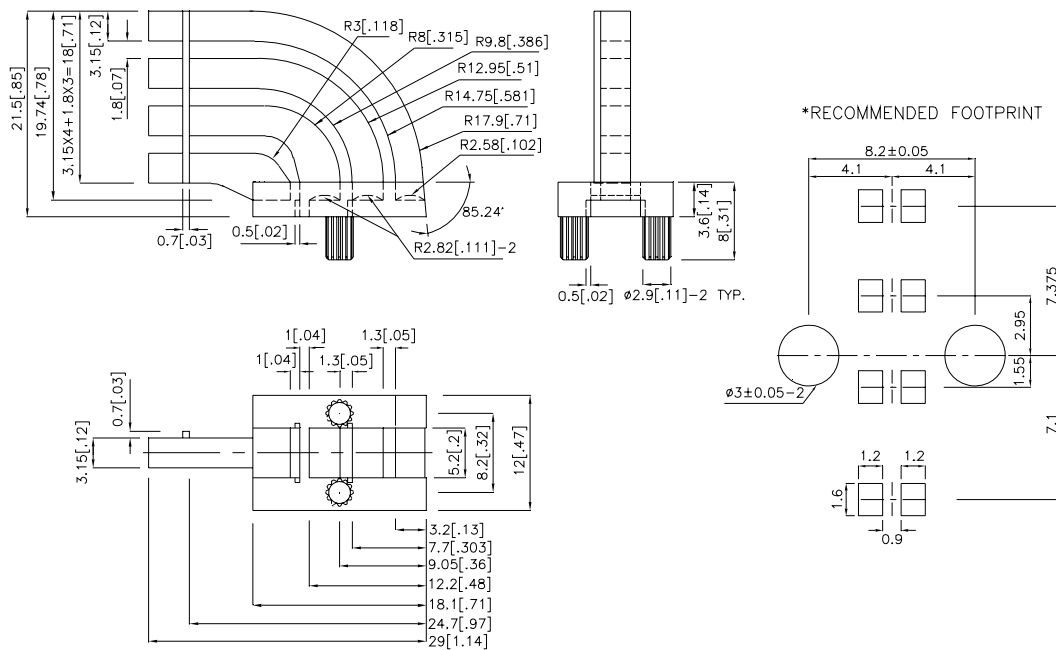


Part Number: KL-05

Features

- WIDE VIEWING ANGLE.
- DESIGNED TO REPLACE RECTANGULAR RIGHT ANGLE THROUGH HOLE DEVICE.
- HIGH TRANSMISSIVITY PLYCARBONATE MATERIAL.
- UL94V-0 COMPLIANCE.
- RoHS COMPLIANT.

Package Dimensions



Remarks:

1. Operating temperature (-45°C To +85°C)
2. Storage temperature (-55°C To +85°C)

Notes:

1. All dimensions are in millimeters (inches).
2. Tolerance is ± 0.25 (0.01") unless otherwise noted.
3. Specifications are subject to change without notice.

