

Part Number: BL0307-50-374

Super Bright Yellow

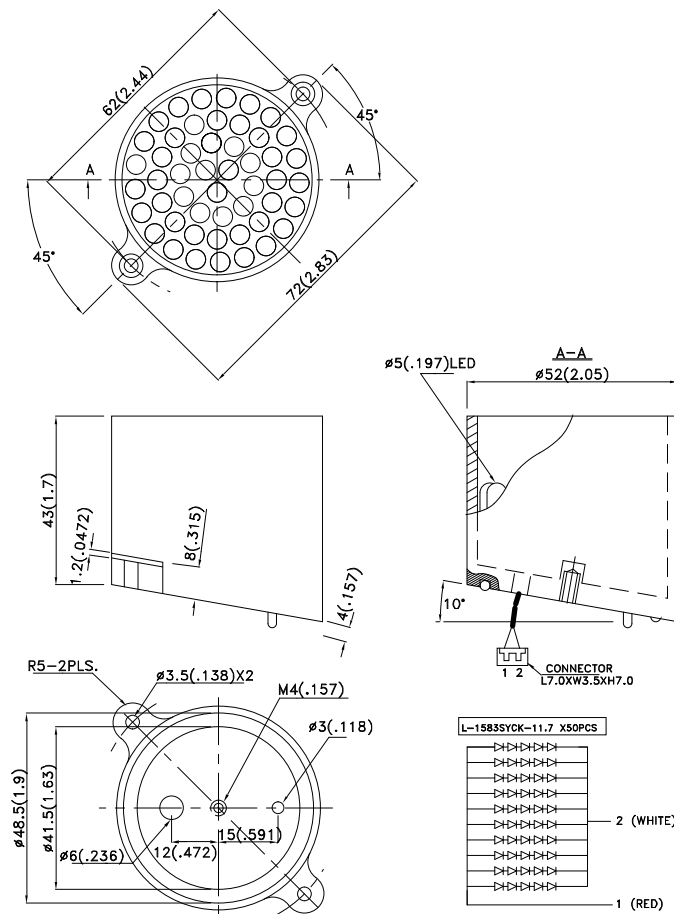
### Features

- Waterproof construction.
- Suitable for outdoor applications, signboard or message board, etc.
- RoHs compliant.

### Description

The Super Bright Yellow device is made with AlGaInP (on GaAs substrate) light emitting diode chip.

### Package Dimensions



#### Notes:

1. All dimensions are in millimeters (inches).
2. Tolerance is  $\pm 0.25(0.01)$  unless otherwise noted.
3. The specifications, characteristics and technical data described in the datasheet are subject to change without prior notice.



## Electrical / Optical Characteristics at T<sub>A</sub>=25°C

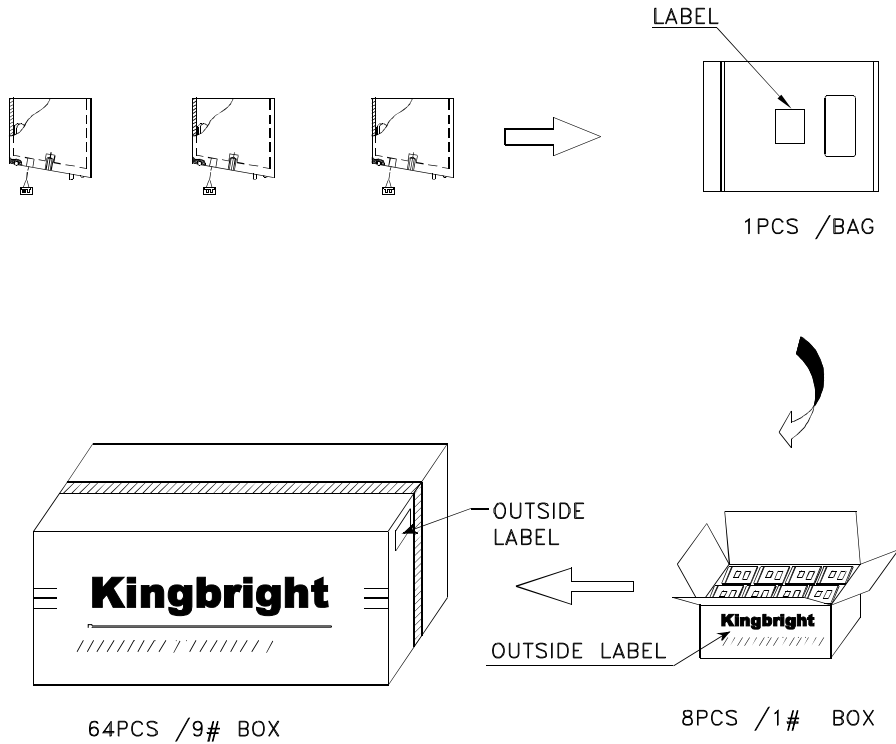
Symbol	Parameter	Device	Min.	Typ.	Max.	Units	Test Conditions
I <sub>v</sub>	Luminous Intensity	BL0307-50-374	45000	75000	-	mcd	I <sub>F</sub> =200mA
2θ <sub>1/2</sub>	Viewing Angle		-	40	-	deg	-
V <sub>F</sub>	Forward Voltage		-	10	12.5	V	I <sub>F</sub> =200mA
λ <sub>peak</sub>	Peak Wavelength		-	590	-	nm	I <sub>F</sub> =200mA
λ <sub>D</sub>	Dominant Wavelength		-	590	-	nm	I <sub>F</sub> =200mA
Δλ <sub>1/2</sub>	Spectral Line Half-width		-	20	-	nm	I <sub>F</sub> =200mA
I <sub>R</sub>	Reverse Current		-	-	100	uA	V <sub>R</sub> = 5V

## Absolute Maximum Ratings at T<sub>A</sub>=25°C

Parameter	Type	Units
Power dissipation	3750	mW
DC Forward Current	300	mA
Reverse Voltage	5	V
Operating Temperature	-40°C To +70°C	
Storage Temperature	-40°C To +85°C	

**PACKING & LABEL SPECIFICATIONS**

**BL0307-50-374**



<h2 style="margin: 0;">Kingbright</h2>	
P/NO: BL0307-50xxx	
QTY: 1 pcs	Q.C. <span style="border: 1px solid black; border-radius: 50%; padding: 2px;">Q C XX XX XX PASSED</span>
S/N: XXXX	
CODE: XXX	
LOT NO:	
<small>xxxxxxxxxxxxxxxxxxxxxxxxxxxxxxxx</small>	
RoHS Compliant	