



ATTENTION
OBSERVE PRECAUTIONS
FOR HANDLING
ELECTROSTATIC
DISCHARGE
SENSITIVE
DEVICES

Part Number: BL0709-18-462

Super Bright Red
Blue
Super Bright Green

Features

- High visibility.
- Water proof package with hood suitable for outdoor and indoor information boards.
- Can produce any color in visible spectrum, including white light.
- RoHS compliant.

Description

The Super Bright Red source color devices are made with Gallium Aluminum Arsenide Red Light Emitting Diode.

The Blue source color devices are made with InGaN Light Emitting Diode.

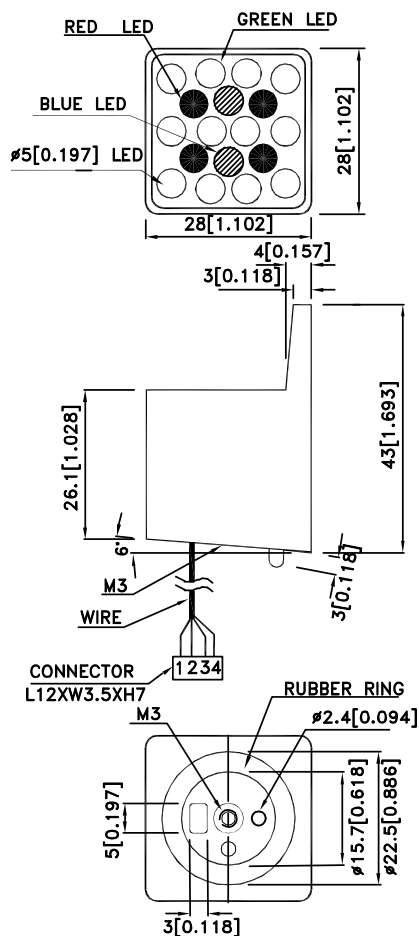
The Super Bright Green source color devices are made with Gallium Phosphide Green Light Emitting Diode.

Static electricity and surge damage the LEDs.

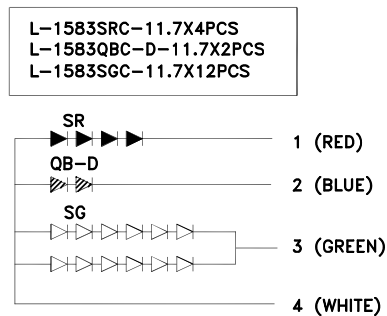
It is recommended to use a wrist band or anti-electrostatic glove when handling the LEDs.

All devices, equipment and machinery must be electrically grounded.

Package Dimensions



LED : L-1583SRC-11.7X4PCS
 L-1583QBC-D-11.7X2PCS
 L-1583SGC-11.7X12PCS



Notes:

1. All dimensions are in millimeters (inches).
2. Tolerance is $\pm 0.25 (0.01")$ unless otherwise noted.
3. The specifications, characteristics and technical data described in the datasheet are subject to change without prior notice.



Electrical / Optical Characteristics at TA=25°C

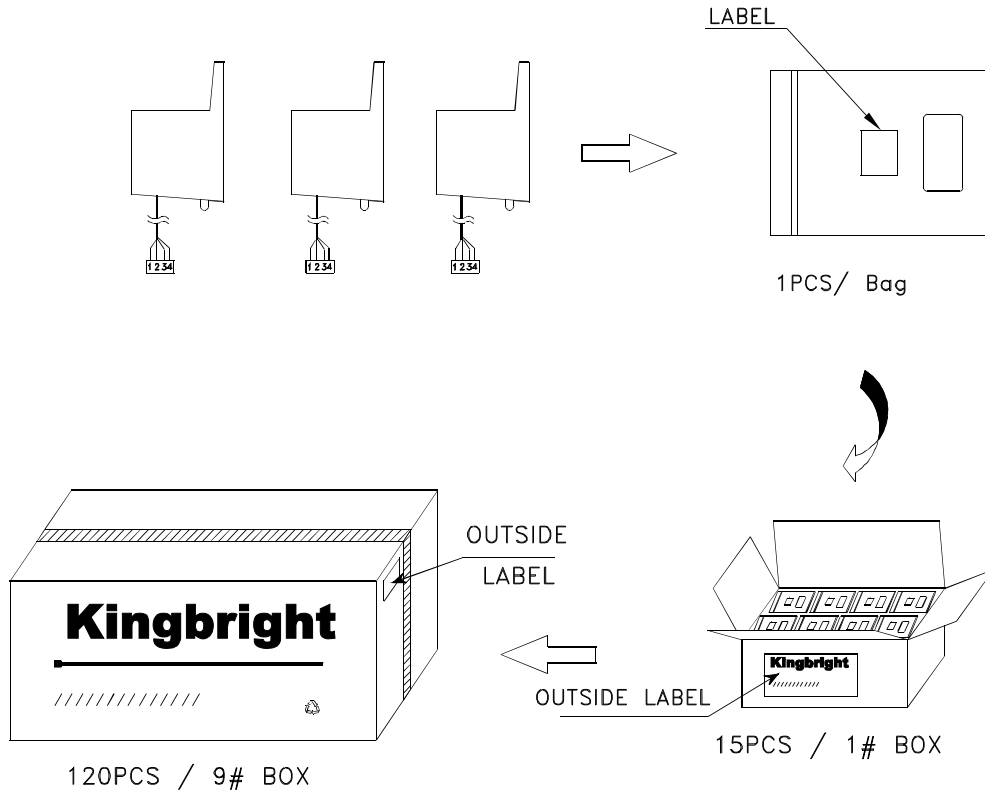
Symbol	Parameter	Device	Type.	Min	Typ.	Max.	Units	Test Conditions
Iv	Luminous Intensity	BL0709-18-462	SR	1200	2400	-	mcd	IF=20mA
			QB-D	1300	2400	-		IF=20mA
			SG	1200	2400	-		IF=40mA
2θ1/2	Viewing Angle		-	-	40	-	deg	-
VF	Forward Voltage		SR	-	7.4	10	V	IF=20mA
			QB-D	-	6.6	8.0		IF=20mA
			SG	-	13.2	15		IF=40mA
λ peak	Peak Wavelength		SR	-	660	-	nm	IF= 20mA
			QB-D	-	468	-		IF=20mA
		SG	-	565	-	IF=40mA		
λ D	Dominant Wavelength	SR	-	640	-	nm	IF= 20 mA	
		QB-D	-	470	-		IF=20mA	
		SG	-	568	-		IF=40mA	
Δλ 1/2	Spectral Line Half-width	SR	-	20	-	nm	IF=20mA	
		QB-D	-	25	-		IF=20mA	
		SG	-	30	-		IF=40mA	
IR	Reverse Current	-	-	-	80	μA	VR= 5 V	

Absolute Maximum Ratings at TA=25°C

parameter	Value			unit
	SR	QB-D	SG	
Total Power dissipation	1290			mW
DC Forward Current	30	30	50	mA
Reverse Voltage	5			V
Operating temperature	-40°C To +70°C			
Storage Temperature	-40°C To +85°C			

PACKING & LABEL SPECIFICATIONS

BL0709-18-462



<h2 style="margin: 0;">Kingbright</h2>		
P/NO: BL0709-18-xxx		
QTY: 1 pcs	Q.C.	<div style="border: 1px solid black; border-radius: 50%; width: 30px; height: 30px; margin: 0 auto; display: flex; align-items: center; justify-content: center;"> <div style="font-size: 8px; margin-bottom: 2px;">Q C</div> <div style="font-size: 8px; margin-bottom: 2px;">xx xx xxxx</div> <div style="font-size: 8px; margin-bottom: 2px;">PASSED</div> </div>
S/N: XXXX		
CODE: XXX		
LOT NO:		
xxxxxxxxxxxxxxxxxxxxxxxx		
RoHS Compliant		