

Part Number: BLS101SURC-E-6V-P

Hyper Red

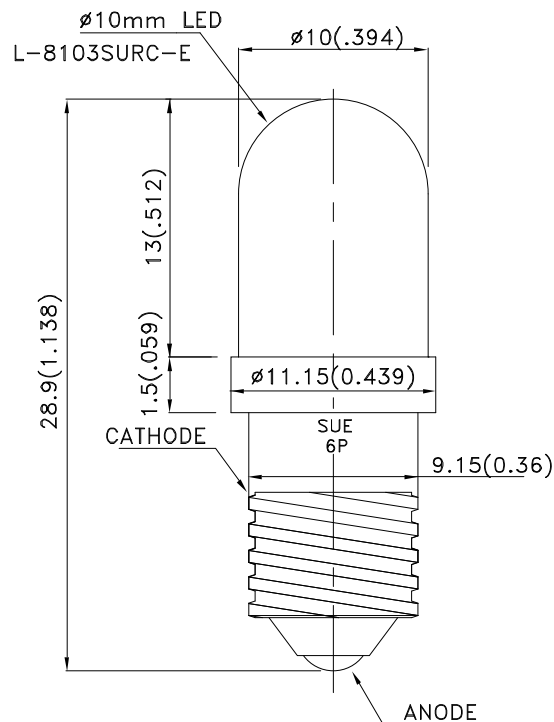
Features

- Built-in current limiting resistor for direct application of different across current.
- Long life.
- Low current, power savings.
- Low maintenance.
- Different color available.
- Solid state, high vibration resistant.
- 6V internal resistor.
- RoHS compliant.

Description

The Hyper Red source color devices are made with Al-GaN on GaAs substrate Light Emitting Diode.

Package Dimensions



Notes:

1. All dimensions are in millimeters (inches).
2. Tolerance is $\pm 0.25(0.01)$ unless otherwise noted.
3. The specifications, characteristics and technical data described in the datasheet are subject to change without prior notice.



Selection Guide

Part No.	Dice	Lens Type	Iv (mcd) V= 6V		Viewing Angle
			Min.	Typ.	2θ1/2
BLS101SURC-E-6V-P	Hyper Red (AlGaInP)	Water Clear	3100	4500	20°

Notes:

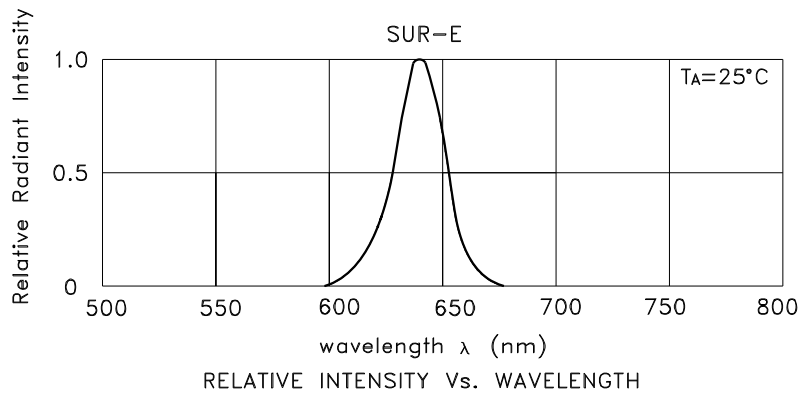
1. θ1/2 is the angle from optical centerline where the luminous intensity is 1/2 of the optical peak value.

Electrical / Optical Characteristics at TA=25°C

Symbol	Parameter	Device	Typ.	Max.	Units	Test Conditions
λpeak	Peak Wavelength	Hyper Red	640		nm	VF=6V
λD	Dominant Wavelength	Hyper Red	630		nm	VF=6V
Δλ1/2	Spectral Line Half-width	Hyper Red	25		nm	VF=6V
IF	Forward Current	Hyper Red	20	25	mA	VF=6V
IR	Reverse Current	Hyper Red		10	uA	VR = 5V

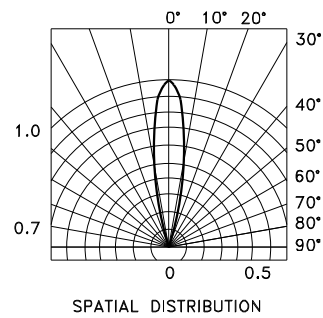
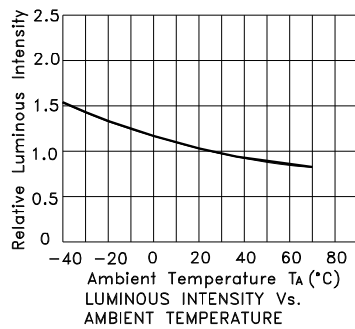
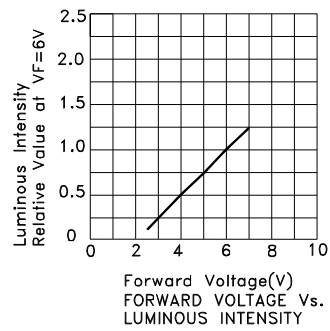
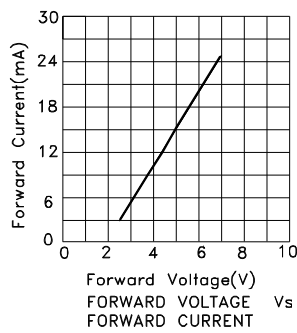
Absolute Maximum Ratings at TA=25°C

Parameter	Hyper Red	Units
Power dissipation	175	mW
Forward Voltage	7	V
Reverse Voltage	5	V
Operating Temperature	-40°C To +70°C	
Storage Temperature	-40°C To +85°C	



Super Bright Yellow

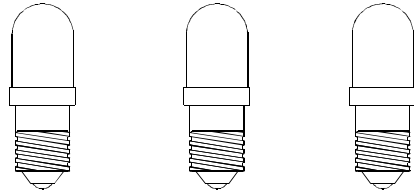
BLS101SURC-E-6V-P



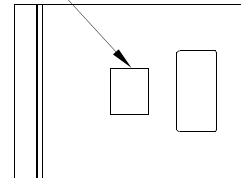
Kingbright

PACKING & LABEL SPECIFICATIONS

BLS101SURC-E-6V-P



LABEL



100 PCS / BAG

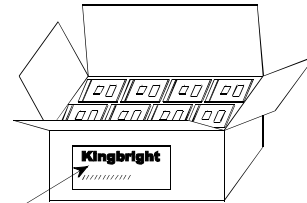


4K/9# BOX


OUTSIDE LABEL



OUTSIDE LABEL



2K/5# BOX

<h1>Kingbright</h1>	
P/NO: BLS101xxx	
QTY: 100 pcs	Q.C. Q C XX XX XXXX PASSED
S/N: XXXX	
CODE: XXX	
LOT NO:	
 xxxxxxxxxxxxxxxxxxxxxxxx	
RoHS Compliant	