

PRELIMINARY SPEC

Part Number: BLW102SYC-H-16V-T10
SUPER BRIGHT YELLOW

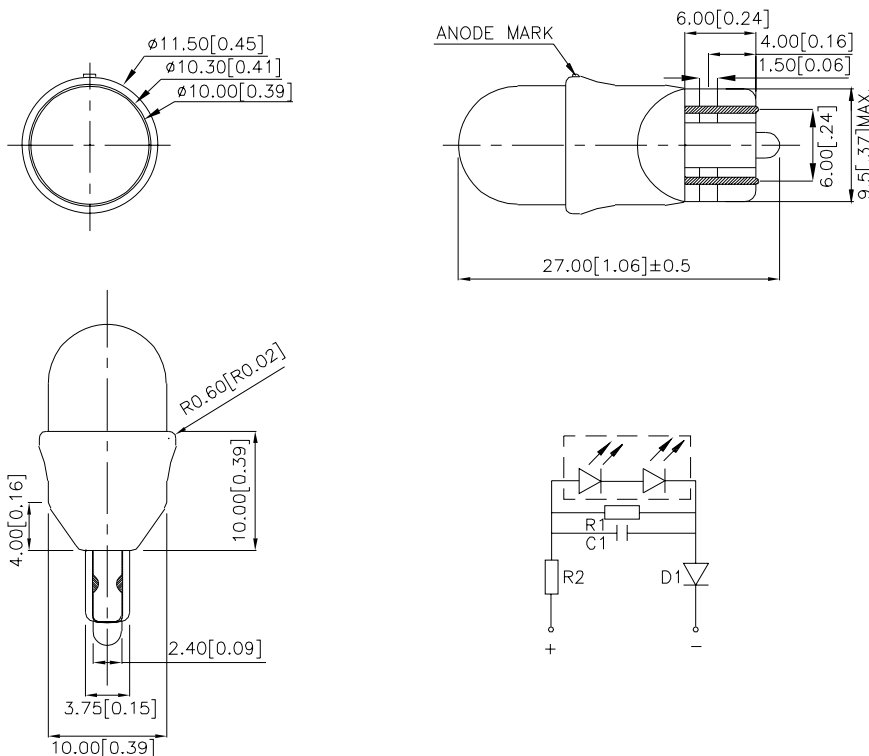
Features

- BUILT-IN CURRENT LIMITING RESISTOR FOR DIRECT APPLICATION OF DIFFERENT ACROSS CURRENT.
- LONG LIFE.
- LOW CURRENT, POWER SAVINGS.
- LOW MAINTENANCE.
- RESISTANT TO SHOCK AND VIBRATION.
- RoHS COMPLIANT.

Description

This devices are made with TS InGaAlP.

Package Dimensions



Notes:
 1. All dimensions are in millimeters (inches).
 2. Tolerance is ± 0.25 (0.01") unless otherwise noted.
 3. Specifications are subject to change without notice.



Selection Guide

Part No.	Dice	Lens Type	Luminous Intensity (typ.) mcd				Viewing Angle
			10V	12V	14V	16V	2 θ 1/2
BLW102SYC-H-16V-T10	SUPER BRIGHT YELLOW (InGaAlP)	WATER CLEAR	370	514	805	1124	50°

Note:

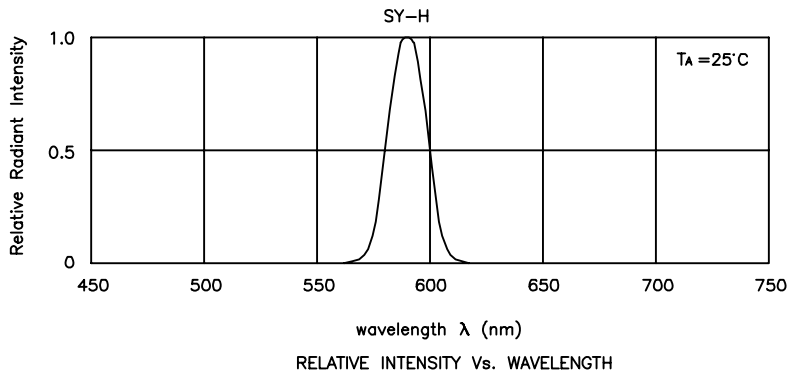
1. θ 1/2 is the angle from optical centerline where the luminous intensity is 1/2 the optical centerline value.

Electrical / Optical Characteristics at T_A=25°C

Symbol	Parameter	Device	Typ.	Max.	Units	Test Conditions
λ_{peak}	Peak Wavelength	Super Bright Yellow	590	-	nm	V _F =16V DC
λ_D	Dominant Wavelength	Super Bright Yellow	589	-	nm	V _F =16V DC
$\Delta\lambda_{1/2}$	Spectral Line Half-width	Super Bright Yellow	20	-	nm	V _F =16V DC
I _F	Forward Current	Super Bright Yellow	21	-	mA	V _F =16V DC

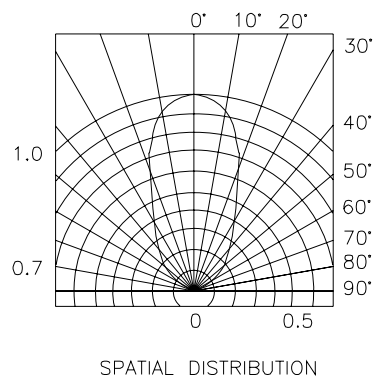
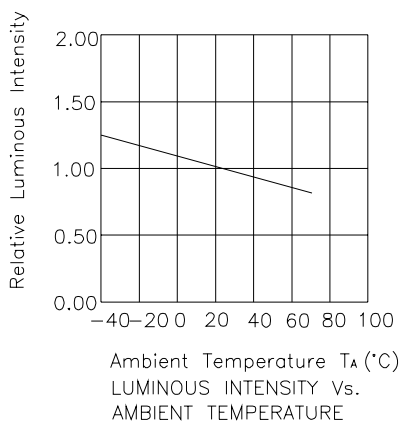
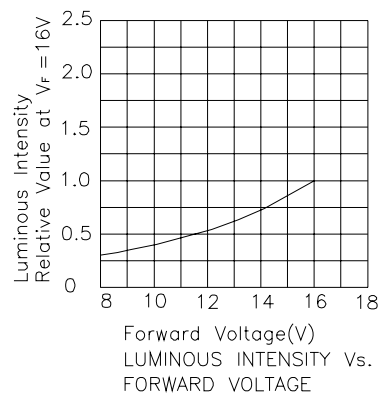
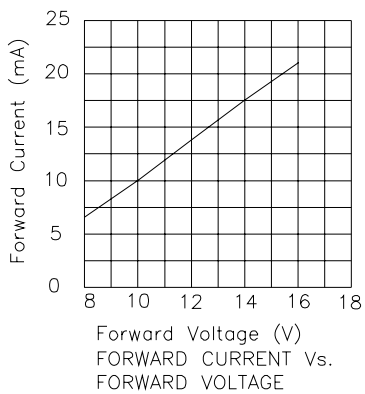
Absolute Maximum Ratings at T_A=25°C

Parameter	Super Bright Yellow	Units
Power dissipation	340	mW
Forward Voltage	16	V
Operating Temperature	-40°C To +70°C	
Storage Temperature	-40°C To +85°C	



Super Bright Yellow

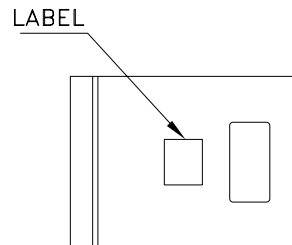
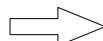
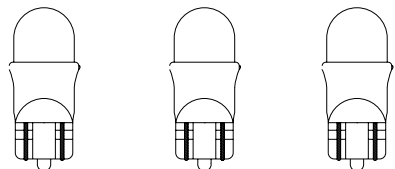
BLW102SYC-H-16V-T10



Kingbright

PACKING & LABEL SPECIFICATIONS

BLW102SYC-H-16V-T10

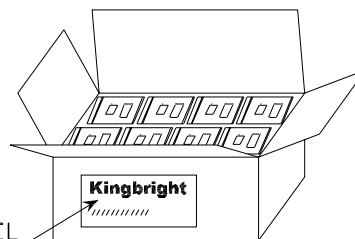
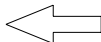


100PCS / BAG




4K / 9# BOX

OUTSIDE LABEL



2K / 5# BOX

OUTSIDE LABEL

<h1>Kingbright</h1>	
P/NO: BLW102xxx-T10	
QTY: 100 pcs	Q.C. Q C XX XX XXXX PASSED
S/N: XXXX	
CODE: XXX	
LOT NO:	
 xxxxxxxxxxxxxxxxxxxxxxxxxxxx	
RoHS Compliant	