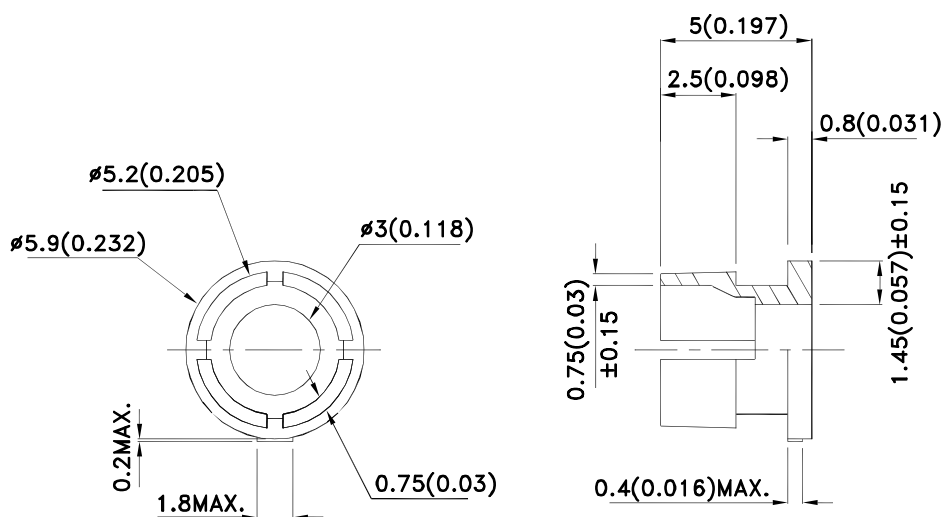


Part Number: CB-30

Features

- Suitable for back panel illumination, circuit board indicator, LED indicator.
- Housing UL rating: 94V-0.
- Housing material: type 66 nylon.
- Recommended hole size: $\Phi 4.8\text{mm}$.
- RoHS compliant.

Package Dimensions



Notes:

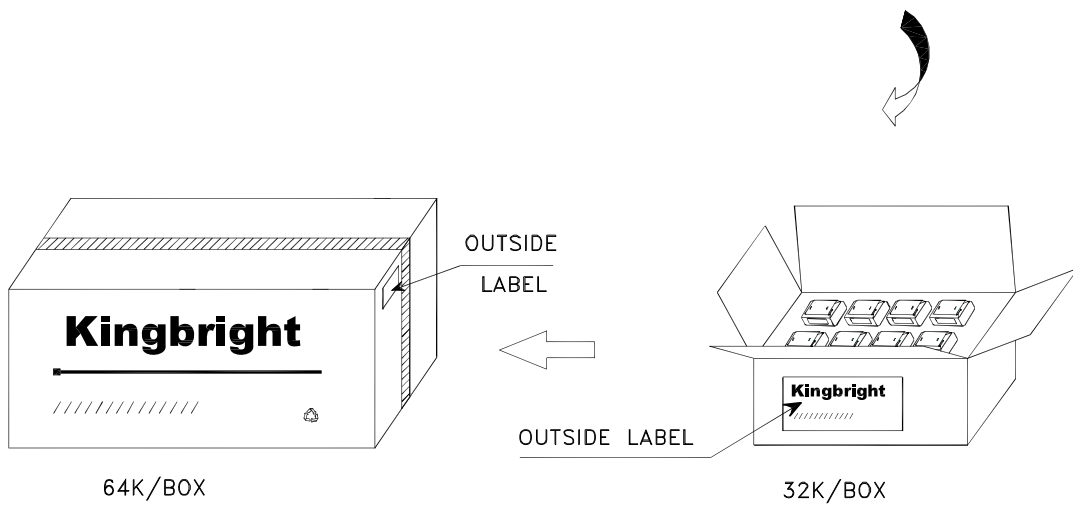
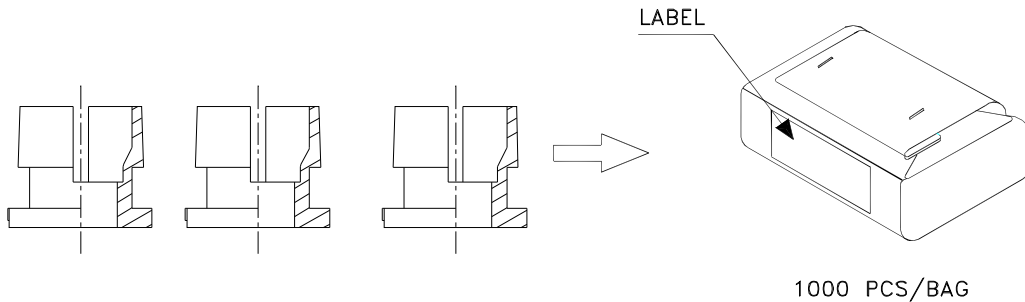
1. All dimensions are in millimeters (inches).
2. Tolerance is $\pm 0.25(0.1)$ unless otherwise noted.
3. The specifications, characteristics and technical data described in the datasheet are subject to change without prior notice.




Kingbright

PACKING & LABEL SPECIFICATIONS

CB-30



Kingbright		
P/NO: CB-30		
QTY: 1000 pcs	Q.C.	Q C XX XX XXXX PASSED
S/N: XXXX		
CODE: XXX		
LOT NO:		
 xxxxxxxxxxxxxxxxxxxxxxxxxxxx		
RoHS Compliant		