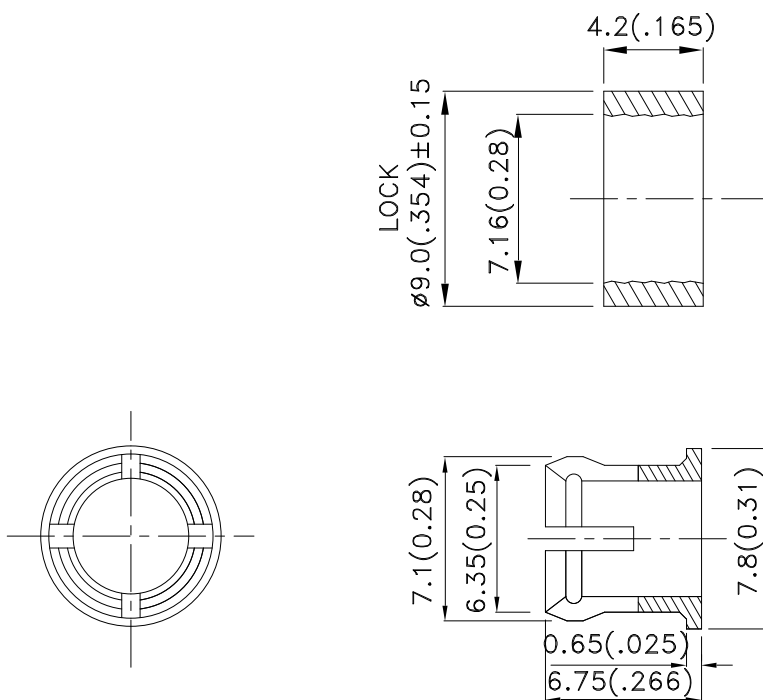


Part Number: CB-50

Features

- Suitable for back panel illumination, circuit board indicator, LED indicator.
- UL rating : 94V-0.
- Housing material: type 66 nylon.
- Recommended hole size: $\phi 6.2\text{mm}$.
- RoHS compliant.

Package Dimensions



Notes:

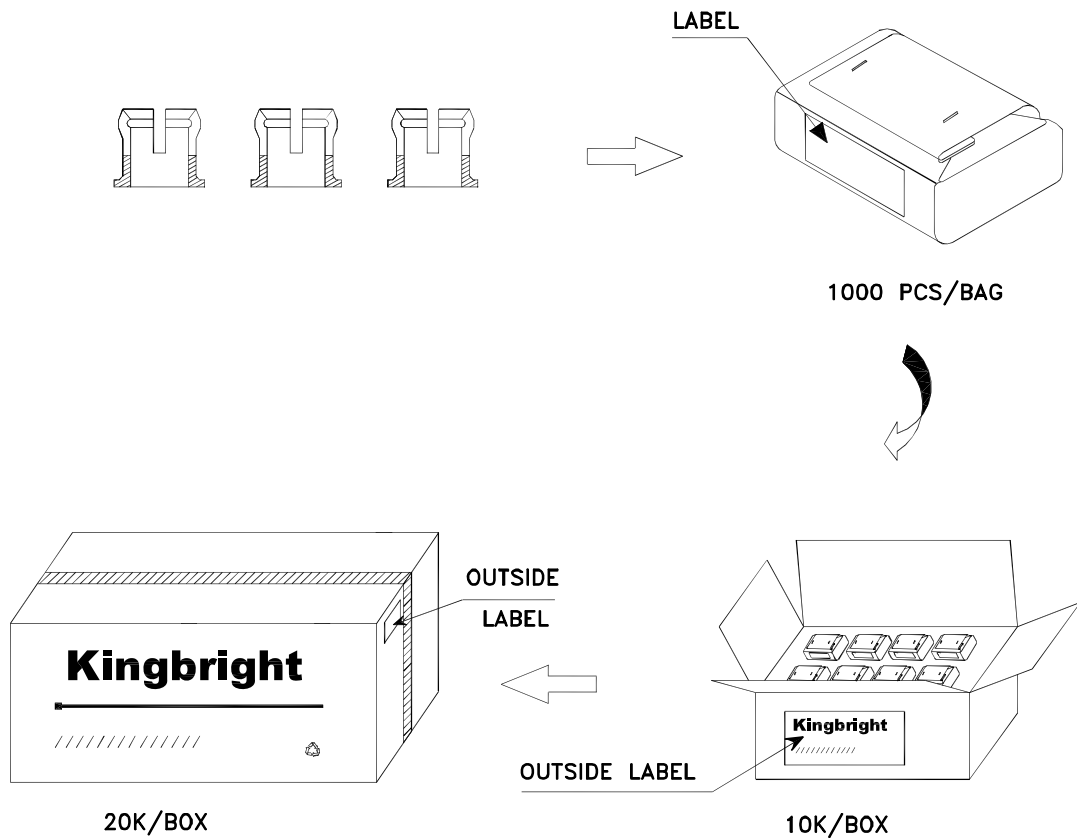
1. All dimensions are in millimeters (inches).
2. Tolerance is ± 0.25 (0.1 ") unless otherwise noted.
3. Specifications are subject to change without notice.




Kingbright

PACKING & LABEL SPECIFICATIONS

CB-50



<h1>Kingbright</h1>					
P/NO: CB-50					
QTY: 1000 pcs	Q.C.	<table border="1"> <tr> <td>Q C</td> </tr> <tr> <td>XX XX XXXX</td> </tr> <tr> <td>PASSED</td> </tr> </table>	Q C	XX XX XXXX	PASSED
Q C					
XX XX XXXX					
PASSED					
S/N: XXXX					
CODE: XXX					
LOT NO:					
					
xxxxxxxxxxxxxxxxxxxxxxxxxxxxxxxx					
RoHS Compliant					