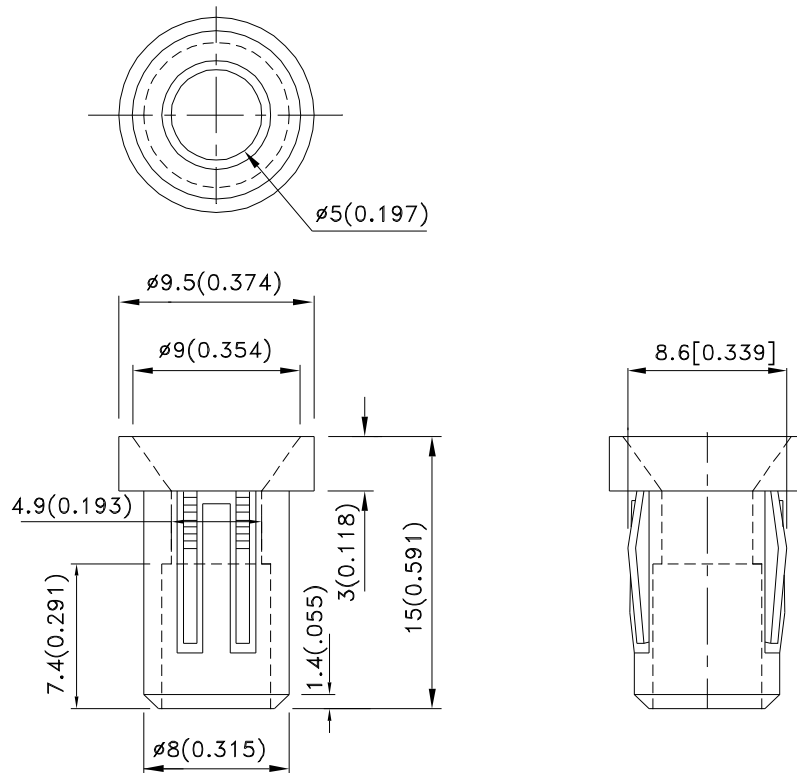


Part Number:RTF-5020

### Features

- Suitable for back panel illumination, circuit board indicator, LED indicator.
- Housing UL rating:94V-0.
- Housing material: type 66 nylon.
- Recommended hole size:Φ8.2mm.
- RoHS compliant.

### Package Dimensions



**Notes:**

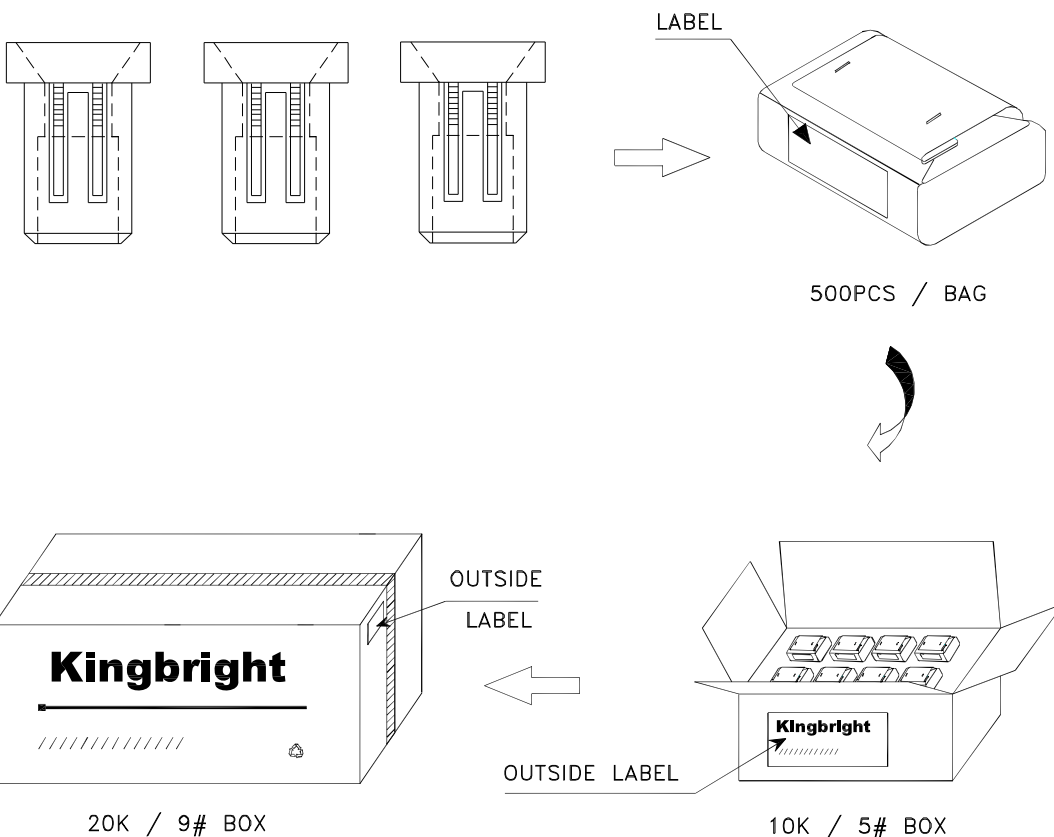
1. All dimensions are in millimeters (inches).
2. Tolerance is  $\pm 0.25(0.01)$  unless otherwise noted.
4. The specifications, characteristics and technical data described in the datasheet are subject to change without prior notice.




# Kingbright

## PACKING & LABEL SPECIFICATIONS

RTF-5020



<b>Kingbright</b>		
P/NO: RTF-5020		
QTY: 500 pcs	Q.C.	Q C XX XX XXXX PASSED
S/N: XXXX		
CODE: XXX		
LOT NO:		
 XXXXXXXXXXXXXXXXXXXXXXXX		
RoHS Compliant		