

THE INFORMATION CONTAINED HEREIN IS CONSIDERED "PROPRIETARY" TO BEL FUSE INC. AND SHALL NOT BE COPIED, REPRODUCED OR DISCLOSED WITHOUT THE WRITTEN APPROVAL OF BEL FUSE INC.

RoHS  
2002/95/EC

RJ45

LED1 POLARITY			LED2 POLARITY		
PIN 13	PIN 14	COLOR	PIN 11	PIN 12	COLOR
+	-	GREEN	+	-	GREEN

ELECTRICAL CHARACTERISTICS @ 25°C

URNS RATIO

TP1	1CT : 1CT ±2%
TP2	1CT : 1CT ±2%
TP3	1CT : 1CT ±2%
TP4	1CT : 1CT ±2%

CL @ 100kHz/100mVRMS

8mA DC BIAS(0°C - 70°C) 350µH MIN.

INS. LOSS

100KHz-100MHz -1.2 dB MAX

RET. LOSS (MIN) @ 100ΩHMS ±15%

0.1MHz-40MHz -18 dB  
40MHz-100MHz -12+20LOG(f/80MHz) dB

CROSS TALK

1MHz-30MHz -35 dB MIN  
30MHz-80MHz -24 dB MIN  
80MHz-100MHz -25 dB MIN

CM TO CM REJ

100KHz-100MHz -30 dB MIN

CM TO DM REJ

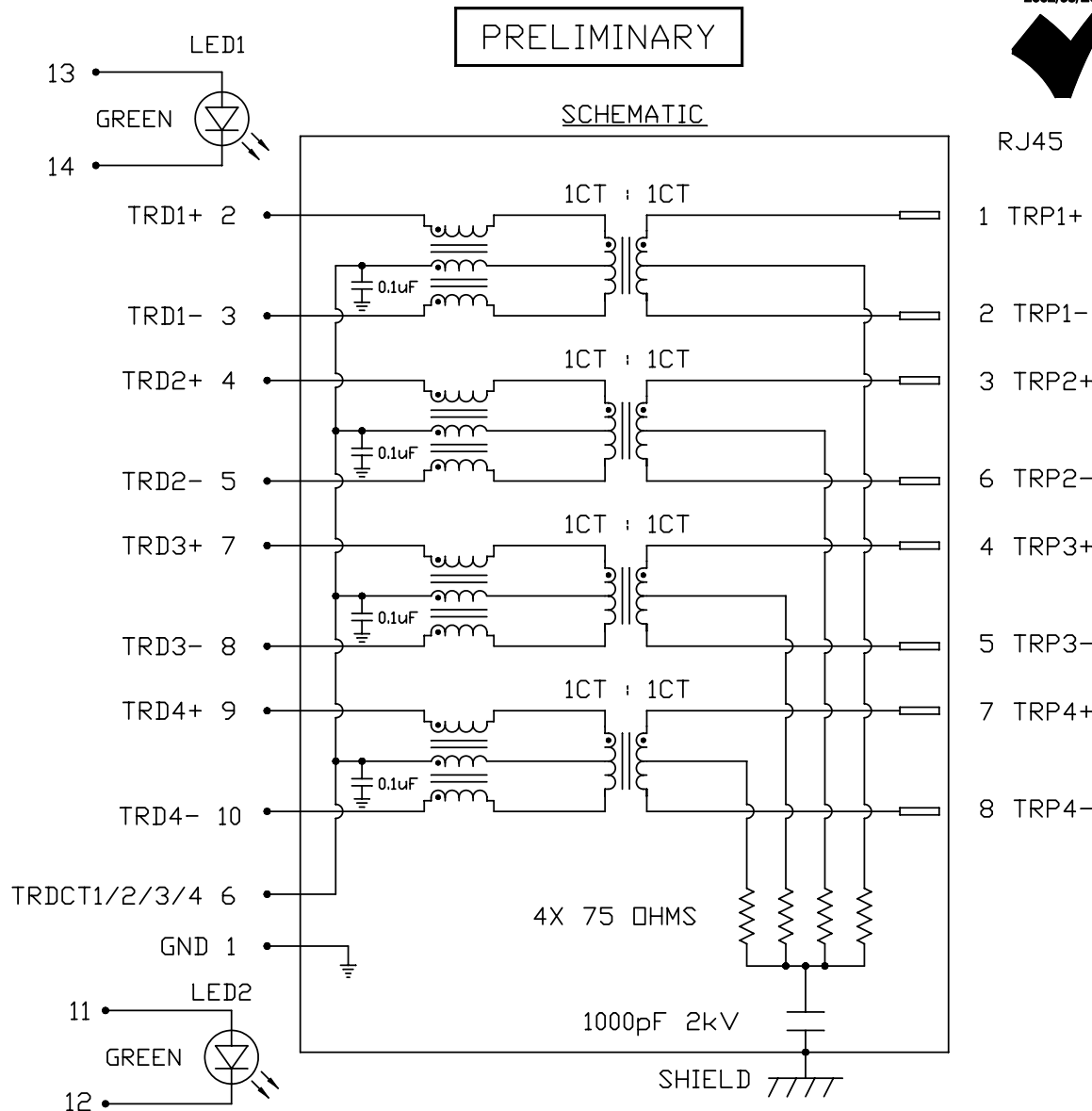
100KHz-100MHz -35 dB MIN

HIPOT (Isolation Voltage): 1500 Vrms

100% OF PRODUCTION TESTED TO COMPLY WITH IEEE 802.3 ISOLATION REQUIREMENTS.

LED1 AND LED2

VF (FORWARD VOLTAGE) IF=20mA GREEN 2.2V TYP.  
λD (DOMINANT WAVELENGTH) IF=20mA GREEN 565nm TYP.



ORIGINATED BY	DATE	TITLE
CHOW WANGCHUNG	07-15-09	
DRAWN BY	DATE	PART NO. / DRAWING NO.
LEE WEI DE	07-15-09	

1X4 gigabit MagJack® (WITH LED) 0.100 inch pin length PATENTED
---

0875-1G4T-EB	STANDARD DIM. TOL. IN INCH
FILE NAME	[ ] METRIC DIM. AS REFERENCE
0875-1G4T-EB_PA.DWG	UNIT : INCH [mm] REV. : PA
	SCALE : N/A SIZE : A4
	PAGE : 2

.X	
.XX	
.XXX	

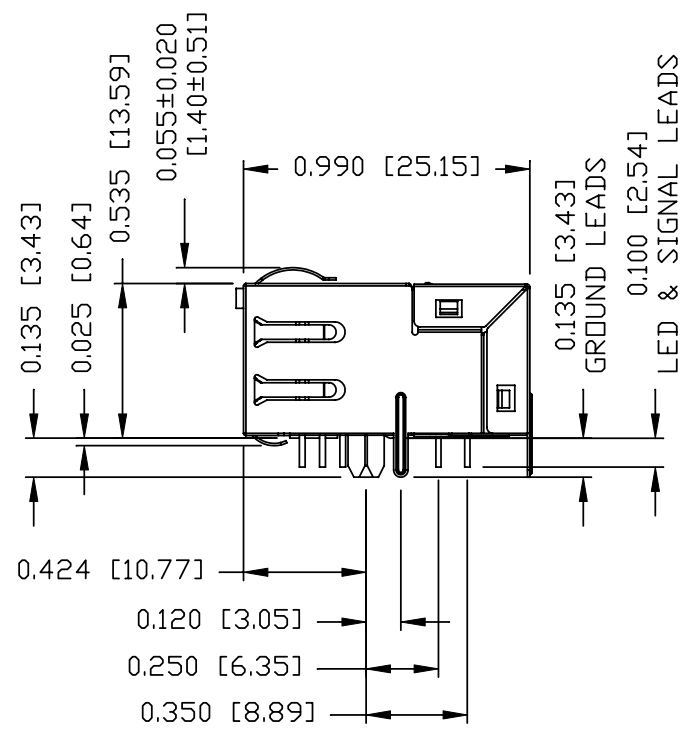
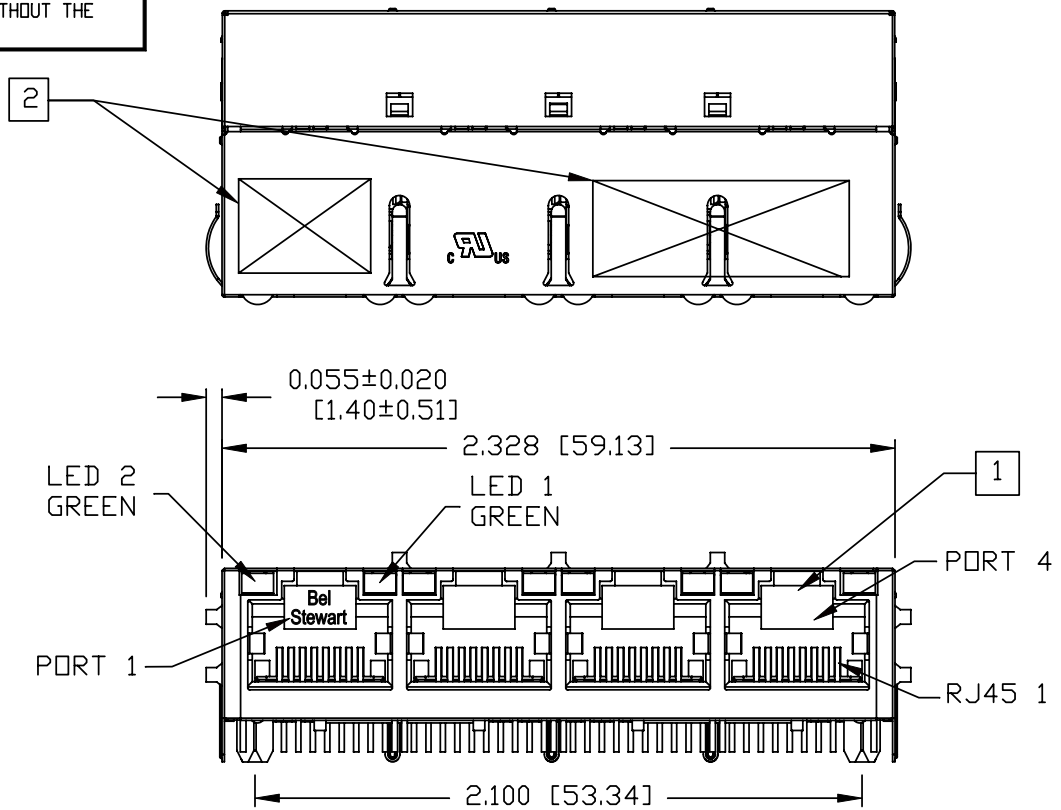


THE INFORMATION CONTAINED HEREIN IS CONSIDERED "PROPRIETARY" TO BEL FUSE INC. AND SHALL NOT BE COPIED, REPRODUCED OR DISCLOSED WITHOUT THE WRITTEN APPROVAL OF BEL FUSE INC.

RoHS  
2002/95/EC



PRELIMINARY



NOTES:

- PLASTIC HOUSING: THERMOPLASTIC PBT  
FLAMMABILITY RATING UL 94V-0
- CONTACTS PLATING: 50 MICRO-INCH HARD GOLD PLATING
- PINS: TIN-COATED COPPER WIRE, DIA 0.018 INCH.
- METAL SHIELD: NICKEL PLATED ON COPPER ALLOY.  
(ALL GROUND LEADS ARE SOLDER DIPPED)

- [1] JACK CAVITY CONFORMS TO FCC RULES AND REGULATIONS.
- [2] MARK PART WITH MFG LOGO, MFG NAME, PART NUMBER, DATE CODE AND PATENTED.  
RoHS COMPLIANT, PER EU DIRECTIVE 2002/95/EC.

**c** **RU** **us** UL RECOGNIZED - FILE #E196366 AND E169987.  
THE PRODUCT IS PATENTED, THE PATENT NUMBER IS U.S. PAT. 5,736,910.

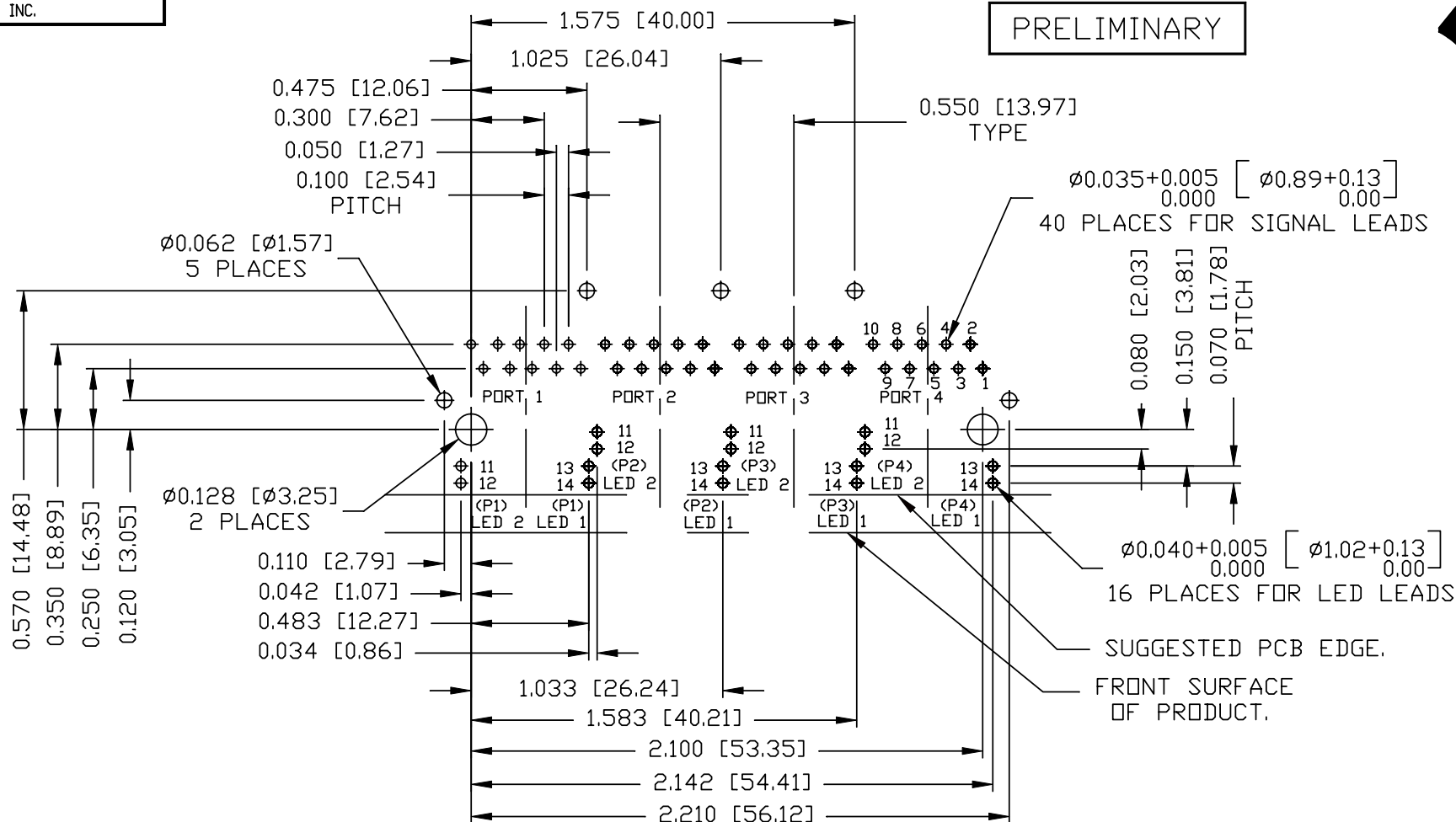
ORIGINATED BY CHEN BILL	DATE 07-15-09	TITLE 1X4 gigabit MagJack® (WITH LED) 0.100 inch pin length PATENTED	PART NO. / DRAWING NO. 0875-1G4T-EB	STANDARD DIM. TOL. IN INCH		[ ] METRIC DIM. AS REFERENCE		bel COMPONENTS FOR A CONNECTED PLANET
				.X		UNIT : INCH [mm]	REV. : PA	
DRAWN BY LIU QIN	DATE 07-15-09		FILE NAME 0875-1G4T-EB_PA.DWG	.XX		SCALE : N/A	SIZE : A4	PAGE : 3
				.XXX	±0.010			

THE INFORMATION CONTAINED HEREIN IS CONSIDERED "PROPRIETARY" TO BEL FUSE INC. AND SHALL NOT BE COPIED, REPRODUCED OR DISCLOSED WITHOUT THE WRITTEN APPROVAL OF BEL FUSE INC.

RoHS  
2002/95/EC



PRELIMINARY



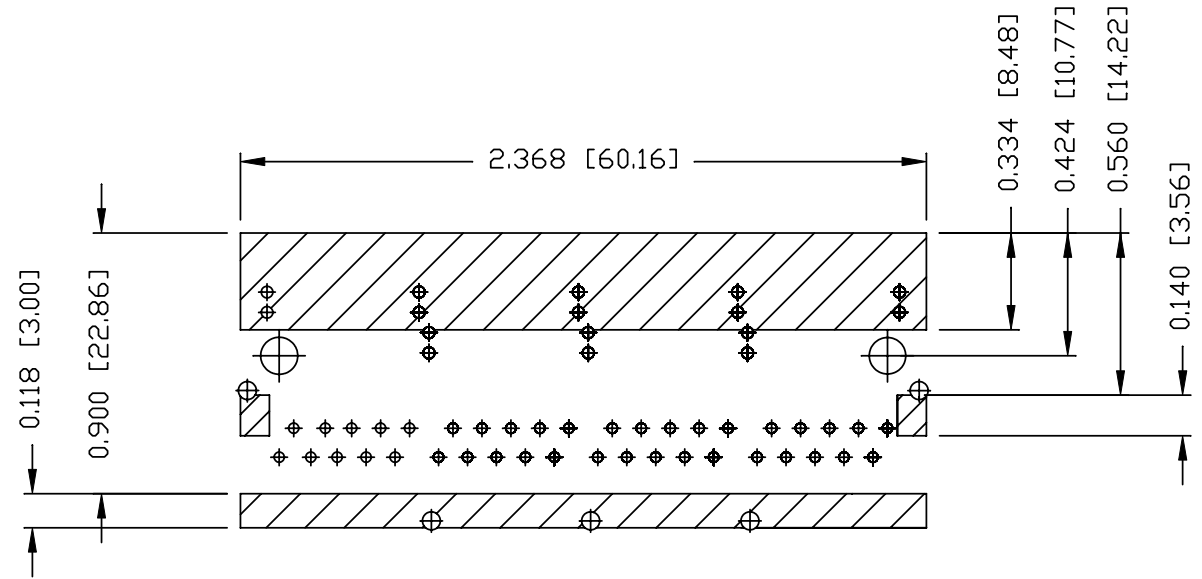
RECOMMENDED PCB FOOTPRINT  
COMPONENT SIDE VIEW

ORIGINATED BY CHEN BILL	DATE 07-15-09	TITLE 1X4 gigabit MagJack® (WITH LED) 0.100 inch pin length PATENTED	PART NO. / DRAWING NO. 0875-1G4T-EB		STANDARD DIM. TOL. IN INCH		[ ] METRIC DIM. AS REFERENCE		bel COMPONENTS FOR A CONNECTED PLANET
			FILE NAME 0875-1G4T-EB_PA.DWG		.X .XX .XXX	±0.004	UNIT : INCH [mm] SCALE : N/A	REV. : PA SIZE : A4 PAGE : 4	

THE INFORMATION CONTAINED HEREIN IS CONSIDERED "PROPRIETARY" TO BEL FUSE INC. AND SHALL NOT BE COPIED, REPRODUCED OR DISCLOSED WITHOUT THE WRITTEN APPROVAL OF BEL FUSE INC.



PRELIMINARY



NOTES

THE SHADED AREA ON THE CUSTOMER BOARD ARE RECOMMENDED TO BE CLEAR OFF ANY VIA HOLE OR COMPONENT PAD.

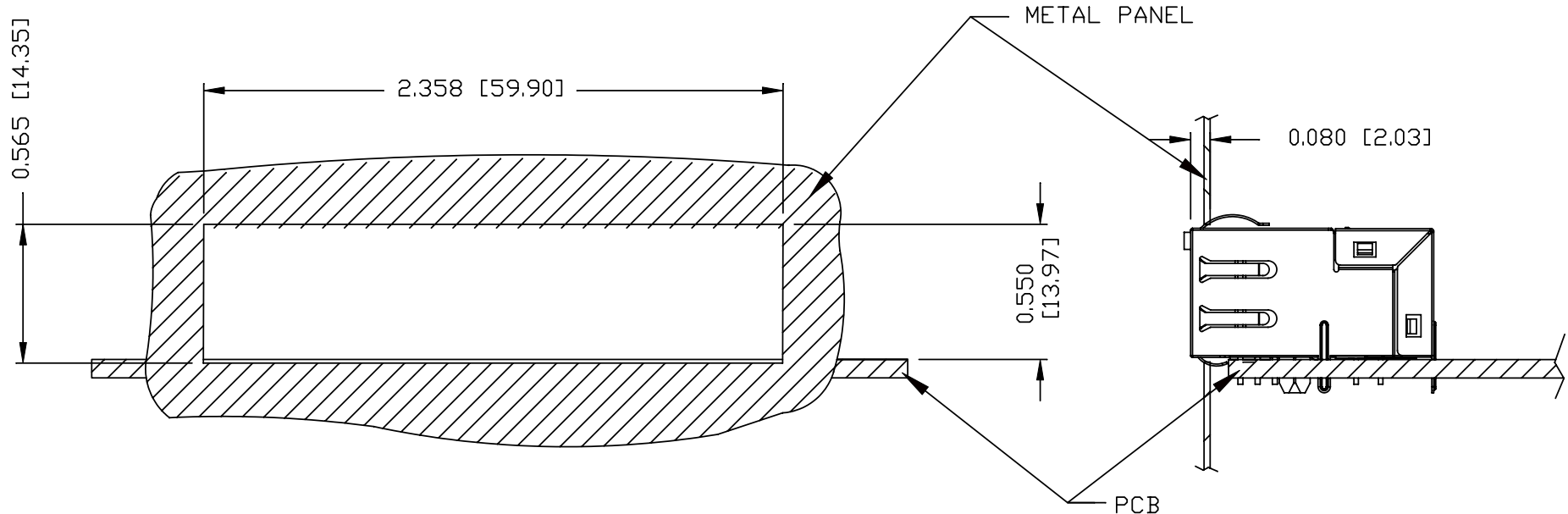
ORIGINATED BY CHEN BILL	DATE 07-15-09	TITLE 1X4 gigabit MagJack® (WITH LED) 0.100 inch pin length PATENTED	PART NO. / DRAWING NO. 0875-1G4T-EB		STANDARD DIM. TOL. IN INCH		[ ] METRIC DIM. AS REFERENCE	
			FILE NAME 0875-1G4T-EB_PA.DWG		.X		UNIT : INCH [mm]	REV. : PA
DRAWN BY LIU QIN	DATE 07-15-09				.XX		SCALE : N/A	SIZE : A4
					.XXX	±0.004		PAGE : 5



THE INFORMATION CONTAINED HEREIN IS CONSIDERED "PROPRIETARY" TO BEL FUSE INC. AND SHALL NOT BE COPIED, REPRODUCED OR DISCLOSED WITHOUT THE WRITTEN APPROVAL OF BEL FUSE INC.

SUGGESTED PANEL OPENING

PRELIMINARY



**NOTE:**  
THE DISTANCE OF PANEL INSIDE SURFACE RELATIVE TO FRONT SURFACE OF PART IS ONLY A SUGGESTION. IN CASE THIS DISTANCE IS DIFFERENT, THE REQUIRED PANEL OPENING DIMENSIONS CHANGE ACCORDINGLY.

PACKING INFORMATION

PACKING TRAY : 0200M9999-D6 (TOP)

0200M9999-D7 (BOTTOM)

PACKING QUANTITY : 27 PCS FINISHED GOODS PER TRAY.

11 TRAYS (297 PCS FINISHED GOODS) PER CARTON BOX.

NOTE : CARDBOARDS ARE PLACED BETWEEN LAYERS OF PACKING TRAY INSIDE CARTON BOX.

(INCLUDE THE UPPERMOST AND LOWERMOST TRAY)

ORIGINATED BY CHEN BILL	DATE 07-15-09	TITLE 1X4 gigabit MagJack® (WITH LED) 0.100 inch pin length PATENTED	PART NO. / DRAWING NO. 0875-1G4T-EB	STANDARD DIM. TOL. IN INCH		[ ] METRIC DIM. AS REFERENCE		REV. : PA	bel COMPONENTS FOR A CONNECTED PLANET
				.X		UNIT : INCH [mm]	SCALE : N/A		
DRAWN BY LIU QIN	DATE 07-15-09		FILE NAME 0875-1G4T-EB_PA.DWG	.XX				SIZE : A4	
				.XXX	±0.004			PAGE : 6	