

THE INFORMATION CONTAINED HEREIN IS CONSIDERED "PROPRIETARY" TO BEL FUSE INC. AND SHALL NOT BE COPIED, REPRODUCED OR DISCLOSED WITHOUT THE WRITTEN APPROVAL OF BEL FUSE INC.

LED1 POLARITY			LED2 POLARITY		
PIN 9	PIN 10	COLOR	PIN 11	PIN 12	COLOR
+	-	GREEN	+	-	YELLOW

PRELIMINARY



ELECTRICAL CHARACTERISTICS @ 25°C

URNS RATIO

TX	1CT : 1
RX	1CT : 1
□CL @ 100kHz/100mVRMS	350µH MIN.
8mA DC BIAS (0°C - 70°C)	

INS. LOSS

1MHz TO 100MHz	-1.1 dB MAX
RET. LOSS (MIN) @ 100DHMS ±15%	
1MHz-30MHz	-18 dB
30MHz-60MHz	-18+20LOG(F/30MHz) dB
60MHz-80MHz	-12 dB

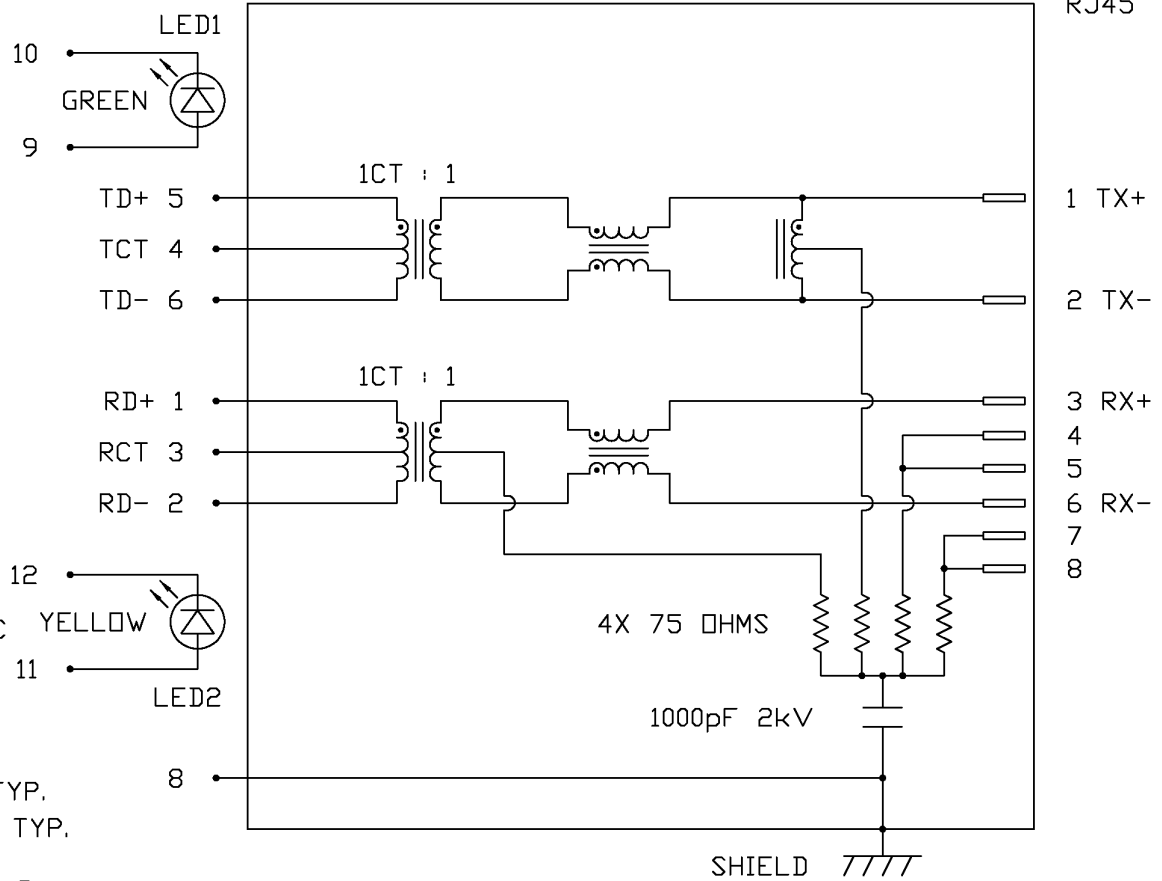
CROSS TALK (TX - RX) -35 dB MIN

100kHz-100MHz	
CM TO CM REJ	-30 dB MIN
100kHz-100MHz	
CM TO DM REJ	-35 dB MIN
100kHz-100MHz	

HIPOT (Isolation Voltage): 1500 Vrms or 2250 VDC  
 100% OF PRODUCT TESTED IN PRODUCTION  
 TO COMPLY WITH IEEE 802.3 REQUIREMENTS

LED 1	
VF (FORWARD VOLTAGE)	IF=20mA GREEN 2.2V TYP.
λD (DOMINANT WAVELENGTH)	IF=20mA GREEN 565nm TYP.
LED 2	
VF (FORWARD VOLTAGE)	IF=20mA YELLOW 2.1V TYP.
λD (DOMINANT WAVELENGTH)	IF=20mA YELLOW 590nm TYP.

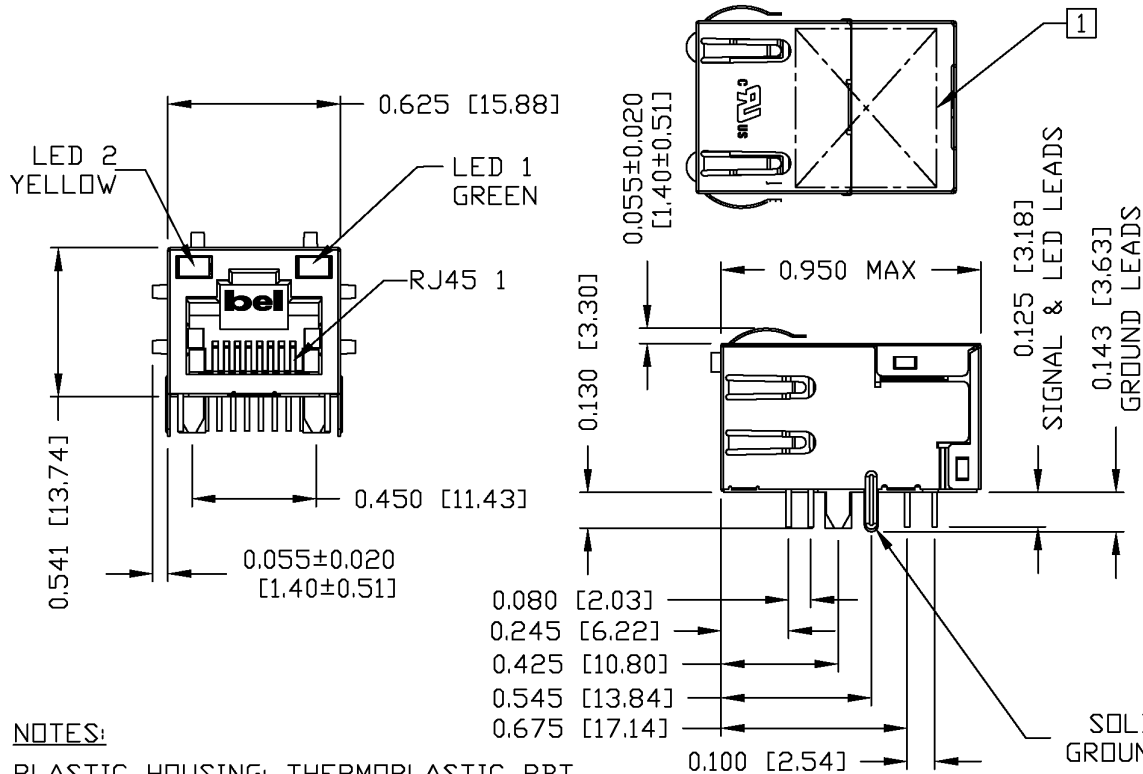
SCHEMATIC



ORIGINATED BY CHUNG	DATE 06-15-06	TITLE 1X1 MagJack® W/LEDs	PART NO. / DRAWING NO. 0875-1D1T-P1	STANDARD DIM. TOL. IN INCH	[ ] METRIC DIM. AS REFERENCE	bel COMPONENTS FOR A CONNECTED PLANET
DRAWN BY DE	DATE 06-15-06		FILE NAME 08751D1TP1PC.DWG	.X .XX .XXX	UNIT : INCH [mm] SCALE : N/A	

THE INFORMATION CONTAINED HEREIN IS CONSIDERED "PROPRIETARY" TO BEL FUSE INC. AND SHALL NOT BE COPIED, REPRODUCED OR DISCLOSED WITHOUT THE WRITTEN APPROVAL OF BEL FUSE INC.

MECHANICAL SPECIFICATION



NOTES:

- PLASTIC HOUSING: THERMOPLASTIC PBT.
- CONTACTS: 30 MICRO-INCH HARD GOLD PLATING
- OUTPUT PINS: LEAD FREE COPPER WIRES, DIA 0.018 INCH.
- METAL SHIELD: NICKEL PLATED ON COPPER ALLOY.
- FLAMMABILITY RATING UL 94V-0
- LEAD FREE COPPER WIRES, DIA 0.018 INCH.
- NICKEL PLATED ON COPPER ALLOY.
- (ALL GROUND LEADS ARE SOLDER DIPPED)

- MARK PART WITH MFG LOGO, NAME, PART NUMBER AND DATE CODE.
- RoHS COMPLIANCE, PER EU DIRECTIVE 2002/95/EC.

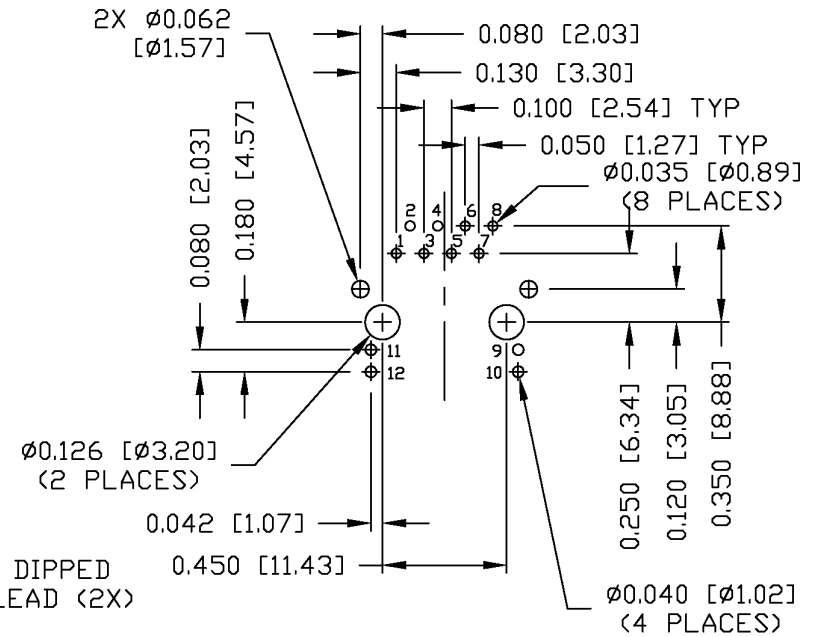
**UL** us UL RECOGNIZED - FILE #E196366 AND E169987.  
JACK CAVITY CONFORMS TO FCC RULES AND REGULATIONS.

PRELIMINARY



RECOMMENDED PCB FOOTPRINT

COMPONENT SIDE VIEW

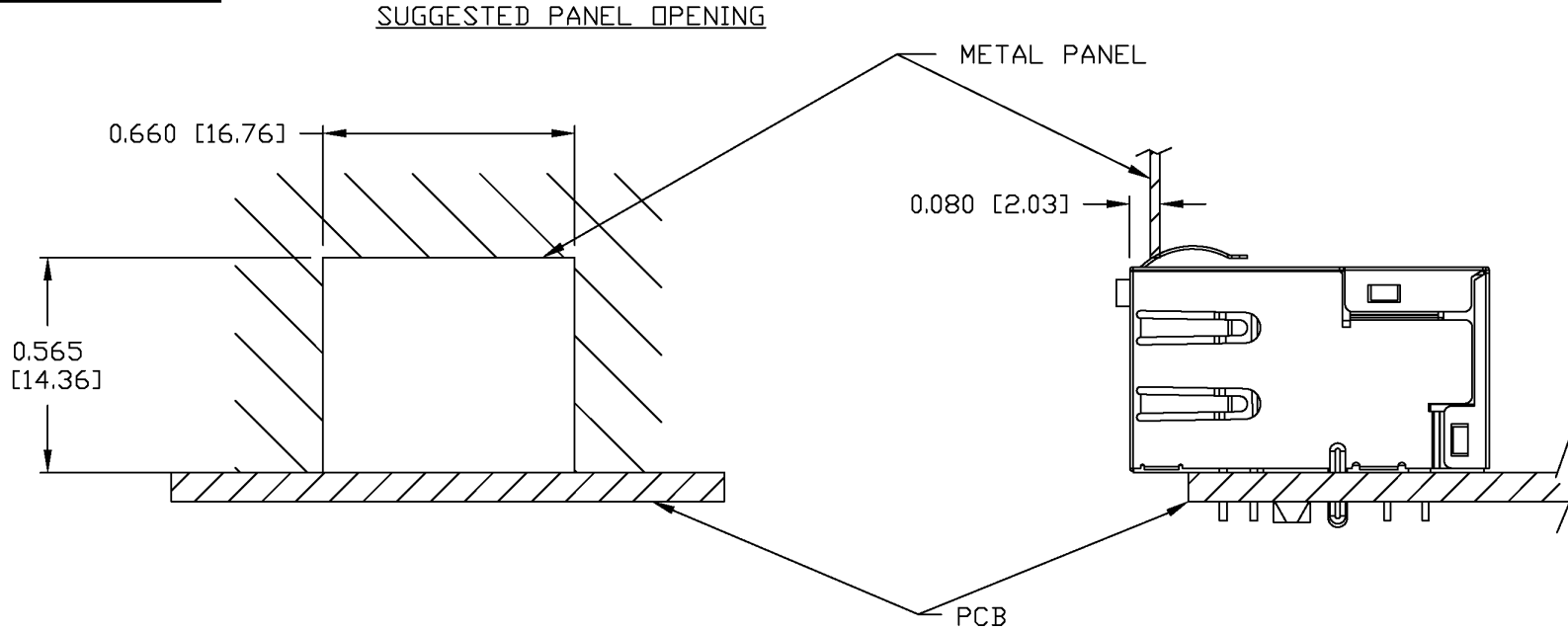


ORIGINATED BY	DATE	TITLE	PART NO. / DRAWING NO.	STANDARD DIM. TOL. IN INCH	[ ] METRIC DIM. AS REFERENCE
WEIGH	06-15-06	1X1 MagJack® W/LEDs	0875-1D1T-P1	.X	UNIT : INCH [mm] REV. : PC
DRAWN BY	DATE		FILE NAME	.XX	SCALE : N/A SIZE : A4
QIAN	06-15-06		08751D1TP1PC.DWG	.XXX ±0.010	PAGE : 3



THE INFORMATION CONTAINED HEREIN IS CONSIDERED "PROPRIETARY" TO BEL FUSE INC. AND SHALL NOT BE COPIED, REPRODUCED OR DISCLOSED WITHOUT THE WRITTEN APPROVAL OF BEL FUSE INC.

PRELIMINARY



**NOTE:**  
THE DISTANCE OF PANEL INSIDE SURFACE RELATIVE TO FRONT SURFACE OF PART IS ONLY A SUGGESTION. IN CASE THIS DISTANCE IS DIFFERENT, THE REQUIRED PANEL OPENING DIMENSIONS CHANGE ACCORDINGLY.

PACKING INFORMATION

PACKING TRAY : 0200-9999-H7 (TOP)  
0200-9999-H8 (BOTTOM)

PACKING QUANTITY : 60 PCS FINISHED GOODS PER TRAY  
10 TRAYS (600 PCS FINISHED GOODS) PER CARTON BOX

NOTE : CARDBOARDS ARE PLACED BETWEEN LAYERS OF PACKING TRAY INSIDE CARTON BOX  
(INCLUDE THE UPPERMOST AND LOWERMOST TRAY)

ORIGINATED BY WEIGH	DATE 06-15-06	TITLE 1X1 MagJack® w/LEDs	PART NO. / DRAWING NO. 0875-1D1T-P1		STANDARD DIM. TOL. IN INCH		[ ] METRIC DIM. AS REFERENCE	
			FILE NAME 08751D1TP1PC.DWG		.X .XX .XXX	±0.004	UNIT : INCH [mm] SCALE : N/A	REV. : PC SIZE : A4 PAGE : 4

