

THE INFORMATION CONTAINED HEREIN IS CONSIDERED "PROPRIETARY" TO BEL FUSE INC. AND SHALL NOT BE COPIED, REPRODUCED OR DISCLOSED WITHOUT THE WRITTEN APPROVAL OF BEL FUSE INC.



LED1 POLARITY			LED2 POLARITY		
PIN 11	PIN 12	COLOR	PIN 13	PIN 14	COLOR
-	+	GREEN	-	+	GREEN
+	-	YELLOW	+	-	YELLOW

**ELECTRICAL CHARACTERISTICS @ 25°C**

**URNS RATIO**

TP1	1CT : 1CT ±2%
TP2	1CT : 1CT ±2%
TP3	1CT : 1CT ±2%
TP4	1CT : 1CT ±2%

**□CL @ 100kHz/100mVRMS**

8mA DC BIAS (0°C - 70°C) 350µH MIN.

**INS. LOSS**

100kHz TO 125MHz -1.2 dB MAX

**RET. LOSS (MIN) @ 100DHMS ±15%**

0.5MHz-40MHz	-18 dB
40MHz-100MHz	-12+20LOG(f/80MHz) dB

**CM TO CM REJ**

100kHz - 100MHz -30 dB MIN

**CM TO DM REJ**

100kHz - 100MHz -35 dB MIN

**CROSS TALK**

1MHz - 60MHz	-35 dB MIN
60MHz -100MHz	-25 dB MIN

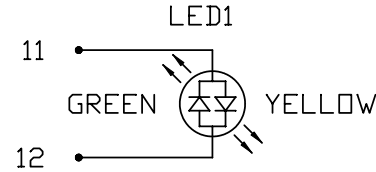
**HIPOT (Isolation Voltage):**

1500 Vrms

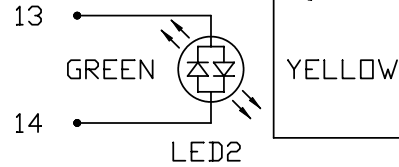
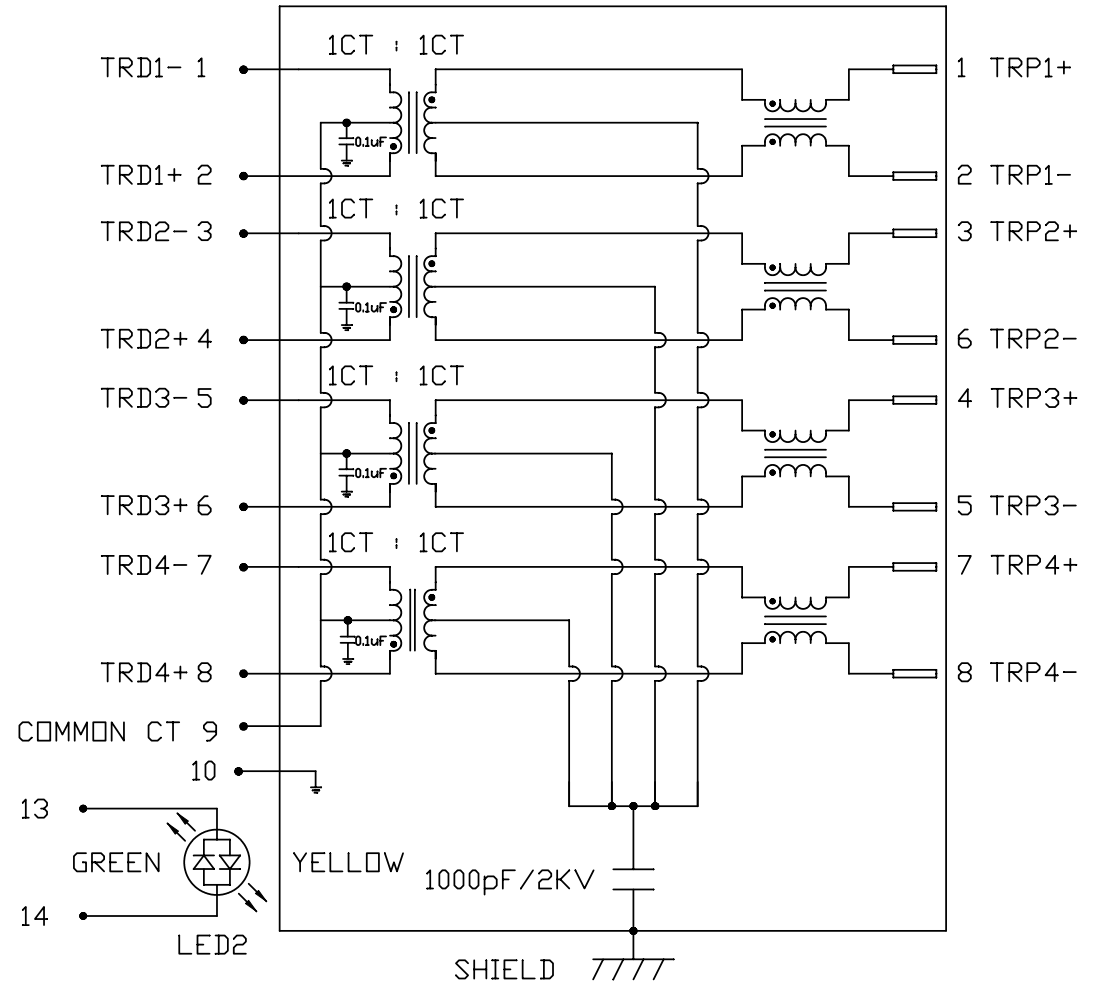
100% OF PRODUCTION TESTED TO COMPLY WITH IEEE 802.3 ISOLATION REQUIREMENTS.

**LED 1 & 2 (LED POLARITY DIFFERENT THAN BEL STANDARD)**

VF (FORWARD VOLTAGE)	IF=20mA	GREEN	2.2V TYP.
		YELLOW	2.1V TYP.
λD (DOMINANT WAVELENGTH)	IF=20mA	GREEN	565nm TYP.
		YELLOW	590nm TYP.



**SCHEMATIC**



<b>ORIGINATED BY</b>	<b>DATE</b>	<b>TITLE</b> 1x2 gigabit MagJack® (WITH LED) PATENTED
CHOW WANGCHUNG	07-08-09	
<b>DRAWN BY</b>	<b>DATE</b>	
LEE WEIDE	07-08-09	

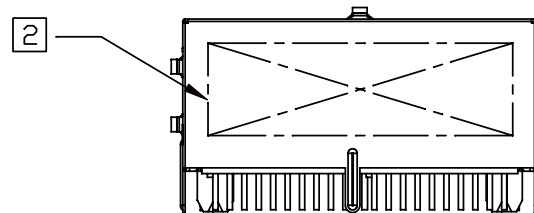
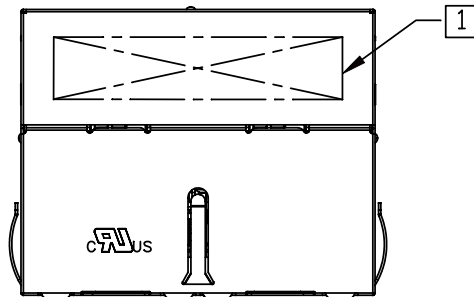
<b>PART NO. / DRAWING NO.</b>	0875-1C2T-E3
<b>FILE NAME</b>	0875-1C2T-E3_C.DWG

<b>STANDARD DIM. TOL. IN INCH</b>	[ ] METRIC DIM. AS REFERENCE
.X	UNIT : INCH [mm]
.XX	SCALE : N/A
.XXX	REV. : C
	SIZE : A4
	PAGE : 2

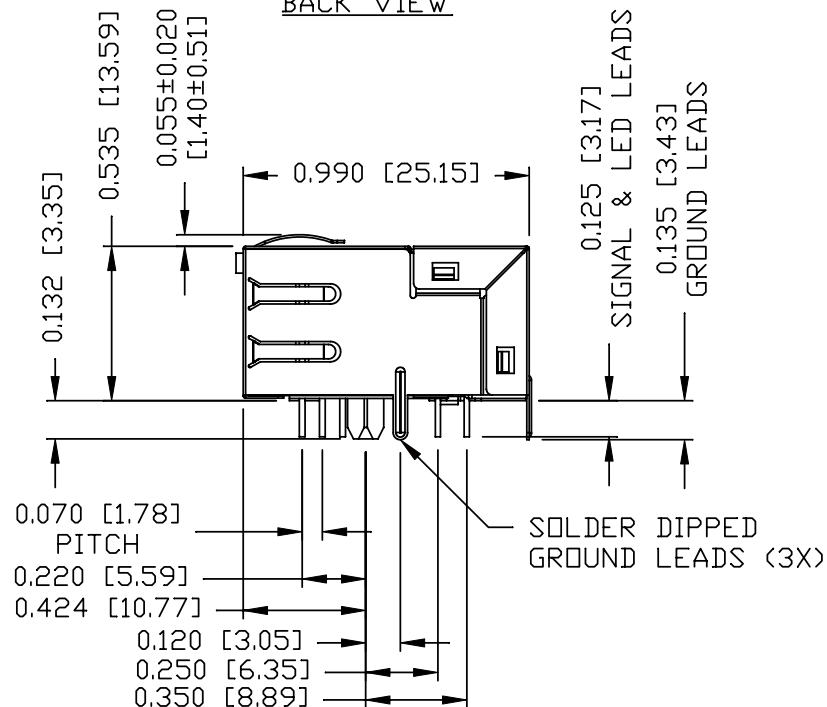
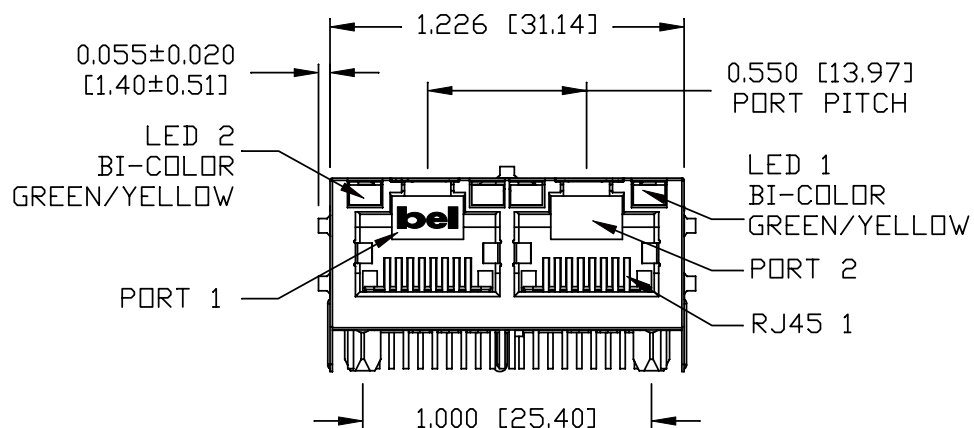
<b>UNIT : INCH [mm]</b>	REV. : C
<b>SCALE : N/A</b>	SIZE : A4
<b>PAGE : 2</b>	



THE INFORMATION CONTAINED HEREIN IS CONSIDERED "PROPRIETARY" TO BEL FUSE INC. AND SHALL NOT BE COPIED, REPRODUCED OR DISCLOSED WITHOUT THE WRITTEN APPROVAL OF BEL FUSE INC.



BACK VIEW



NOTES:

- PLASTIC HOUSING: THERMOPLASTIC PBT
- FLAMMABILITY RATING UL 94V-0
- CONTACTS PLATING: 15 MICRO-INCH HARD GOLD PLATING
- PINS: TIN-COATED COPPER WIRE, DIA 0.018 INCH.
- METAL SHIELD: NICKEL PLATED ON COPPER ALLOY.
- (ALL GROUND LEADS ARE SOLDER DIPPED)

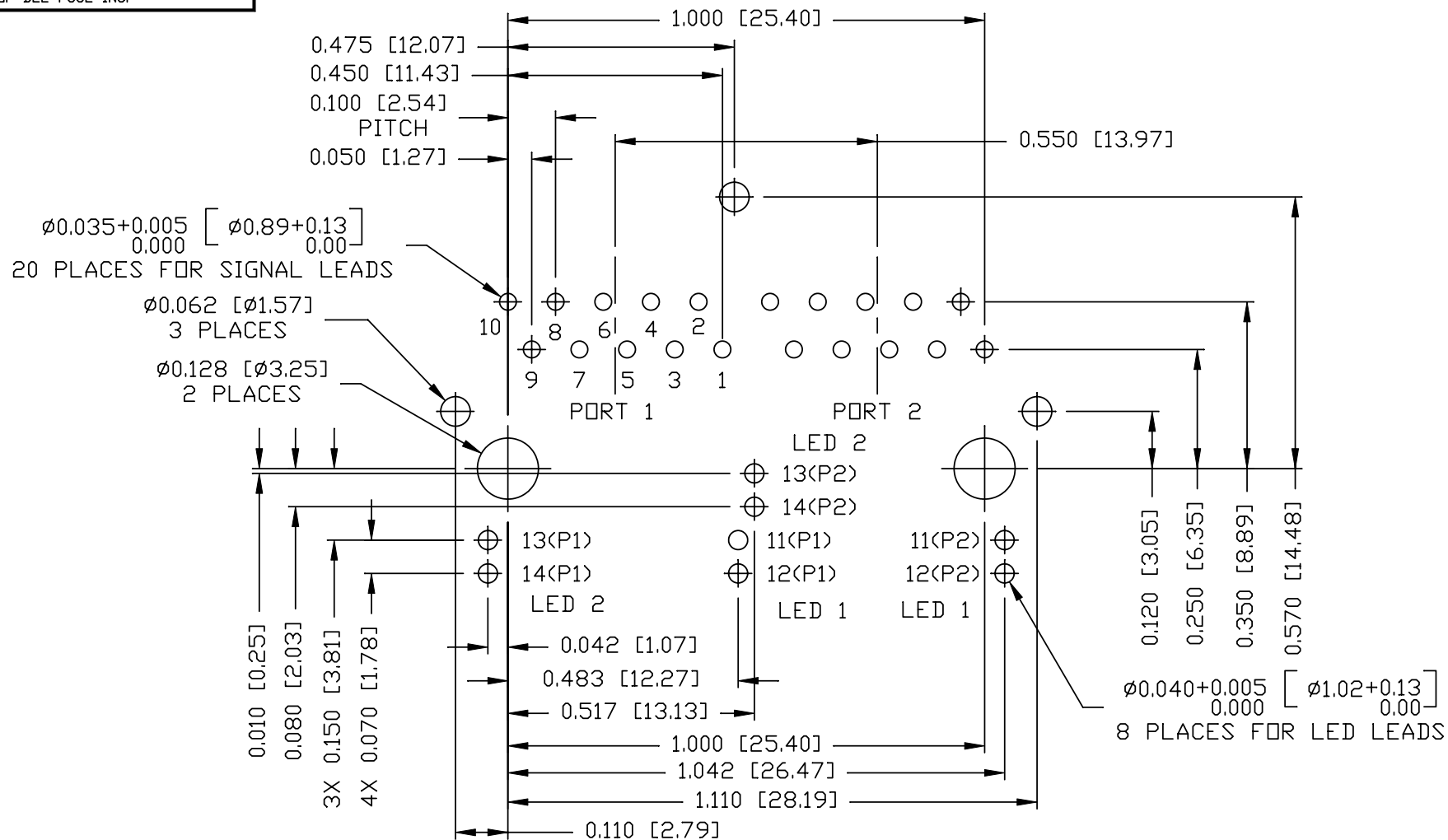
- 1 MARK PART WITH MFG LOGO AND MFG NAME.
  - 2 MARK PART WITH PART NUMBER DATE CODE AND PATENTED.
- UL RECOGNIZED - FILE #E196366 AND E169987.

- 2. JACK CAVITY CONFORMS TO FCC RULES AND REGULATIONS.
- 3. RoHS COMPLIANCE, PER EU DIRECTIVE 2002/95/EC
- 4. THE PRODUCT IS PATENTED, THE PATENT NUMBRE IS U.S. PAT. 5,736,910.

ORIGINATED BY	DATE	TITLE	PART NO. / DRAWING NO.	STANDARD DIM. TOL. IN INCH	[ ] METRIC DIM. AS REFERENCE
LIU QIN	07-08-09	1X2 gigabit MagJack®	0875-1C2T-E3	.X	UNIT : INCH [mm]
DRAWN BY	DATE	(WITH LED)	FILE NAME	.XX	SCALE : N/A
XIAN JIAXIN	07-08-09	PATENTED	0875-1C2T-E3_C.DWG	.XXX ±0.010	REV. : C
					SIZE : A4
					PAGE : 3



THE INFORMATION CONTAINED HEREIN IS CONSIDERED "PROPRIETARY" TO BEL FUSE INC. AND SHALL NOT BE COPIED, REPRODUCED OR DISCLOSED WITHOUT THE WRITTEN APPROVAL OF BEL FUSE INC.



RECOMMENDED PCB FOOTPRINT  
COMPONENT SIDE VIEW

ORIGINATED BY LIU QIN	DATE 07-08-09	TITLE 1X2 gigabit MagJack® (WITH LED) PATENTED	PART NO. / DRAWING NO. 0875-1C2T-E3	STANDARD DIM. TOL. IN INCH		[ ] METRIC DIM. AS REFERENCE	
				.X		UNIT : INCH [mm]	REV. : C
DRAWN BY XIAN JIAXIN	DATE 07-08-09		FILE NAME 0875-1C2T-E3_C.DWG	.XX		SCALE : N/A	SIZE : A4
				.XXX	±0.004		PAGE : 4

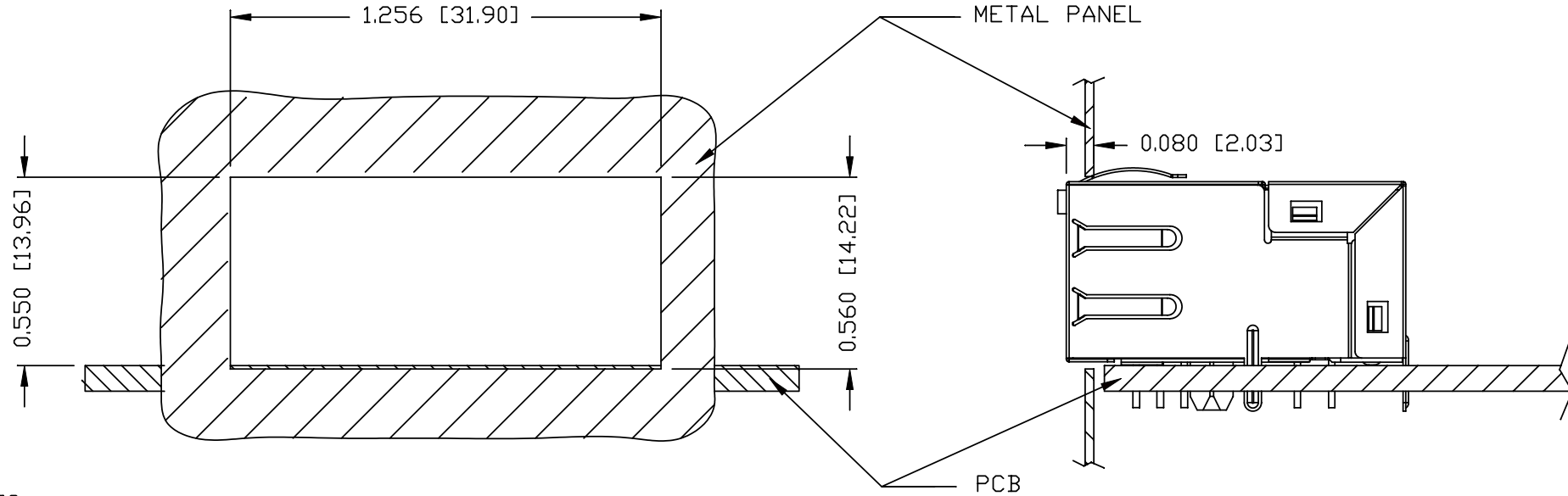


THE INFORMATION CONTAINED HEREIN IS CONSIDERED "PROPRIETARY" TO BEL FUSE INC. AND SHALL NOT BE COPIED, REPRODUCED OR DISCLOSED WITHOUT THE WRITTEN APPROVAL OF BEL FUSE INC.

RoHS  
2002/95/EC



SUGGESTED PANEL OPENING



NOTES:

THE DISTANCE OF PANEL INSIDE SURFACE RELATIVE TO FRONT SURFACE OF PART IS ONLY A SUGGESTION. IN CASE THIS DISTANCE IS DIFFERENT, THE REQUIRED PANEL OPENING DIMENSIONS CHANGE ACCORDINGLY.

PACKING INFORMATION

PACKING TRAY : 0200-9999-G4 (TOP)  
0200-9999-G5 (BOTTOM)

PACKING QUANTITY : 49 PCS FINISHED GOODS PER TRAY  
8 TRAYS (392 PCS FINISHED GOODS) PER CARTON BOX

NOTE : CARDBOARDS ARE PLACED BETWEEN LAYERS OF PACKING TRAY INSIDE CARTON BOX  
(INCLUDE THE UPPERMOST AND LOWERMOST TRAY)

<b>ORIGINATED BY</b> LIU QIN	<b>DATE</b> 07-08-09	<b>TITLE</b> 1X2 gigabit MagJack® (WITH LED) PATENTED	<b>PART NO. / DRAWING NO.</b> 0875-1C2T-E3	<b>STANDARD DIM. TOL. IN INCH</b> .X .XX .XXX ±0.004	<b>[ ] METRIC DIM. AS REFERENCE</b>		<b>REV. : C</b>	<b>bel</b> COMPONENTS FOR A CONNECTED PLANET
<b>DRAWN BY</b> XIAN JIAXIN	<b>DATE</b> 07-08-09		<b>FILE NAME</b> 0875-1C2T-E3_C.DWG		<b>UNIT : INCH [mm]</b>	<b>SCALE : N/A</b>		
							<b>PAGE : 5</b>	