

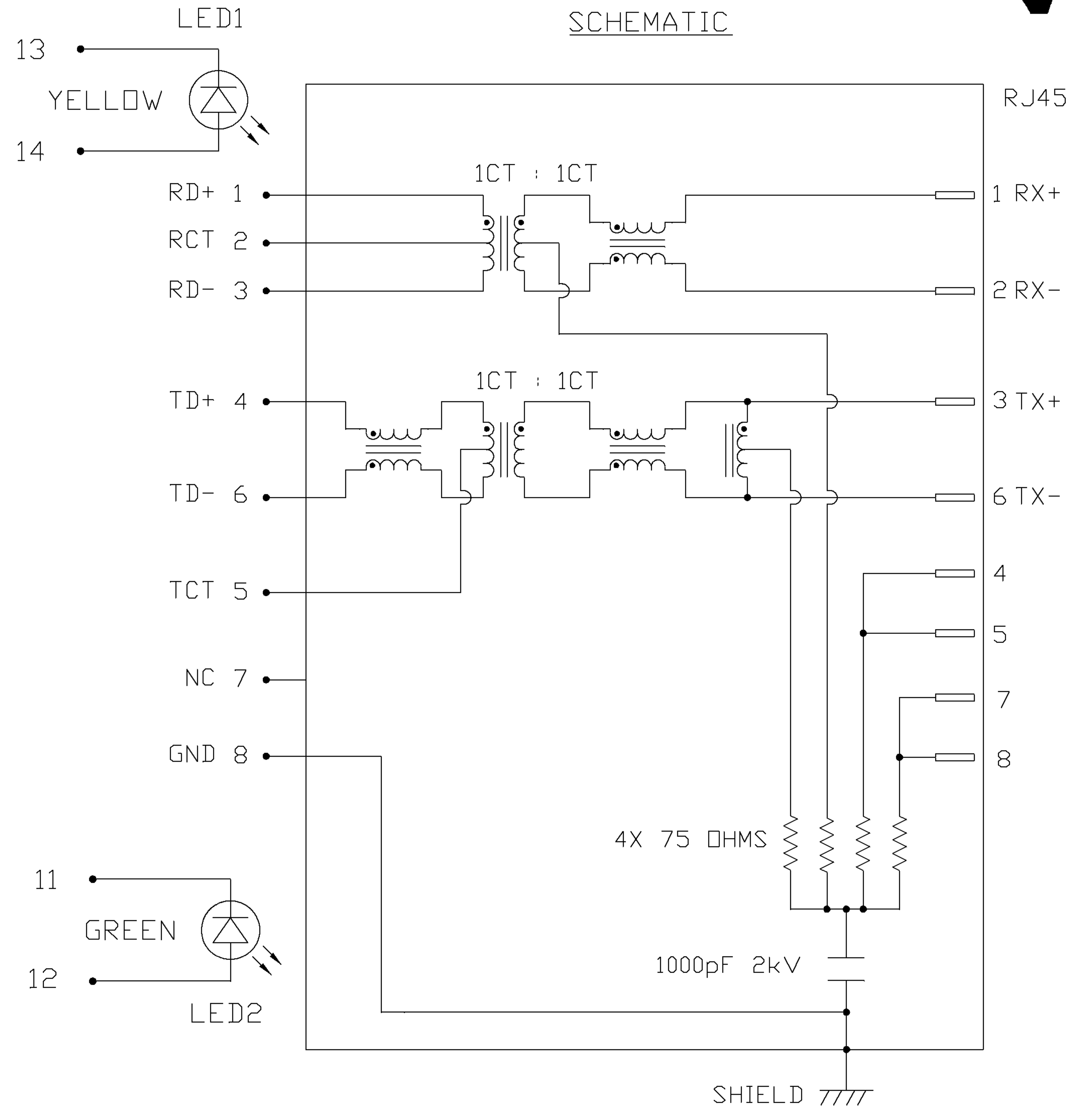
THE INFORMATION CONTAINED HEREIN IS CONSIDERED "PROPRIETARY" TO BEL FUSE INC. AND SHALL NOT BE COPIED, REPRODUCED OR DISCLOSED WITHOUT THE WRITTEN APPROVAL OF BEL FUSE INC.



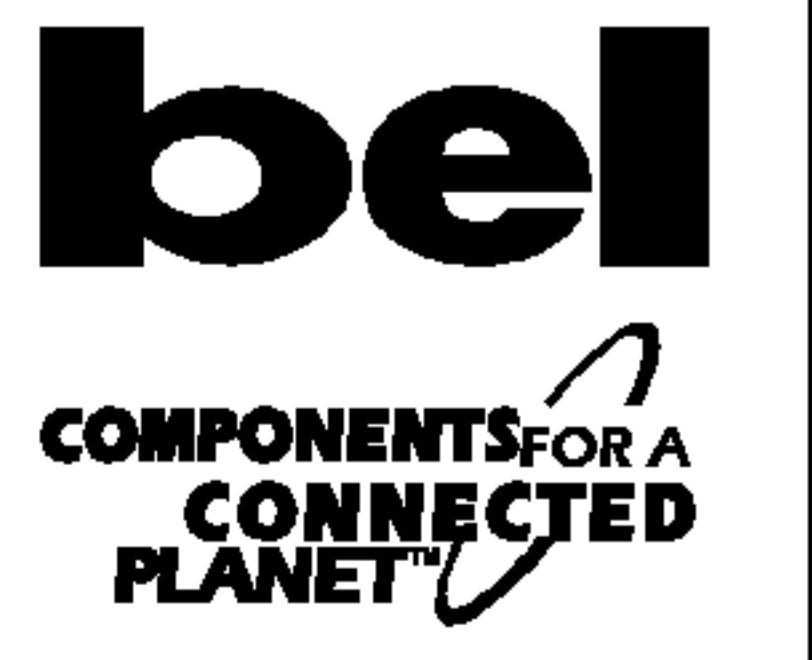
LED1 POLARITY			LED2 POLARITY		
PIN 13	PIN 14	COLOR	PIN 11	PIN 12	COLOR
-	+	YELLOW	-	+	GREEN

ELECTRICAL CHARACTERISTICS @ 25°C

<p> TURNS RATIO □CL @ 100kHz,100mVRMS 8mA DC BIAS (0°C - 70°C) INS. LOSS 100KHz TO 100MHZ RET. LOSS (MIN) 2MHz-30MHz 60MHz-80MHz LEAKAGE INDUCTANCE PRIMARY W/ SECONDARY SHORTED DC RESISTANCE (1-3)=(4-6) (RJ1-RJ2)=(RJ3-RJ6) INTERWINDING CAPACITANCE PER CHANNEL (PRI. TO SEC.) CROSS TALK 100KHz - 100MHZ HIPDT (Isolation Voltage): 100% OF PRODUCTION TESTED TO COMPLY WITH IEEE 802.3 ISOLATION REQUIREMENTS. LED 1 (LED POLARITY DIFFERENT THAN BEL STANDARD) VF (FORWARD VOLTAGE) λD (DOMINANT WAVELENGTH) LED 2 (LED POLARITY DIFFERENT THAN BEL STANDARD) VF (FORWARD VOLTAGE) λD (DOMINANT WAVELENGTH) </p>	<p> 1CT : 1CT ±2% 350μH MIN. -1.5 dB MAX -16 dB -10 dB 0.25uH Max. @ 1MHz 1.4 ohms Max 1.0 ohms Max 40pF Max -30 dB MIN 1500 Vrms IF=20mA YELLOW 2.1V TYP. IF=20mA YELLOW 590nm TYP. IF=20mA GREEN 2.2V TYP. IF=20mA GREEN 565nm TYP. </p>
--	--

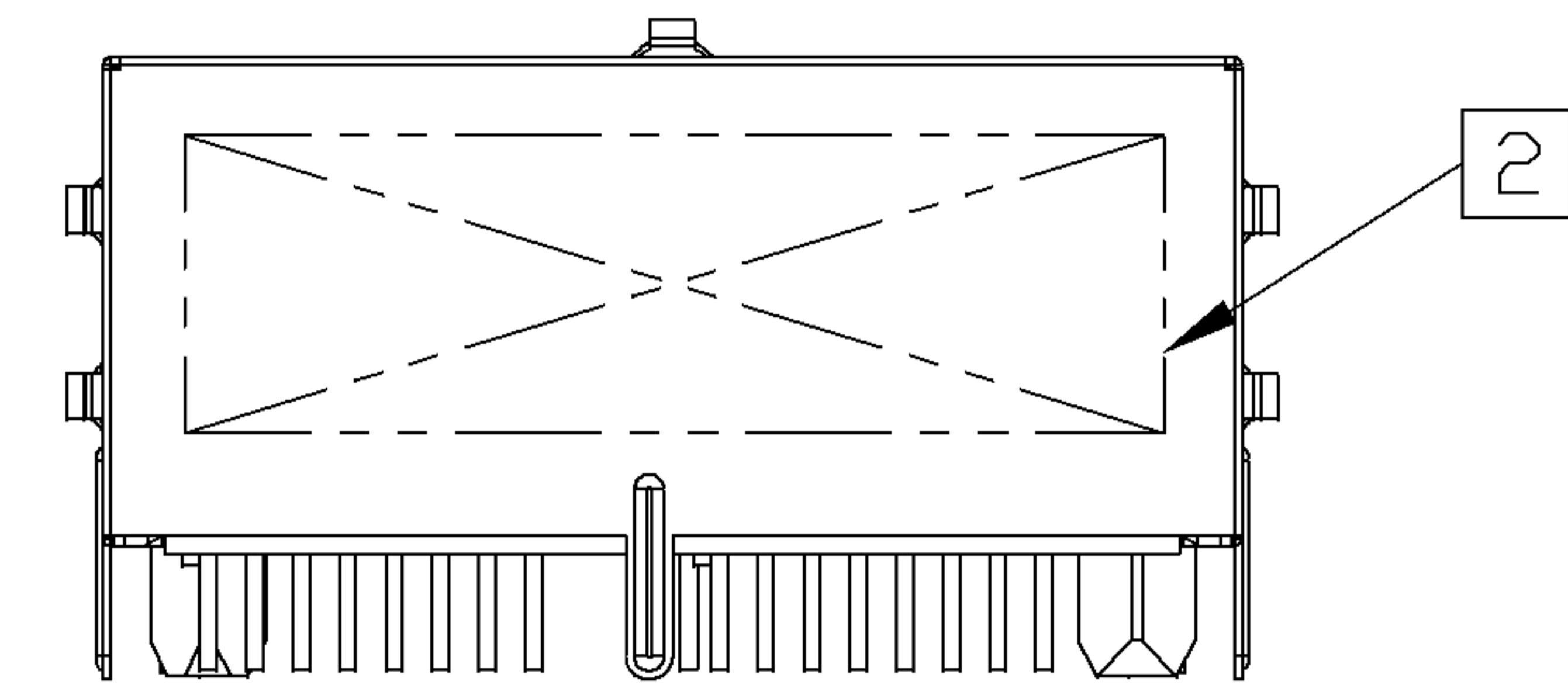
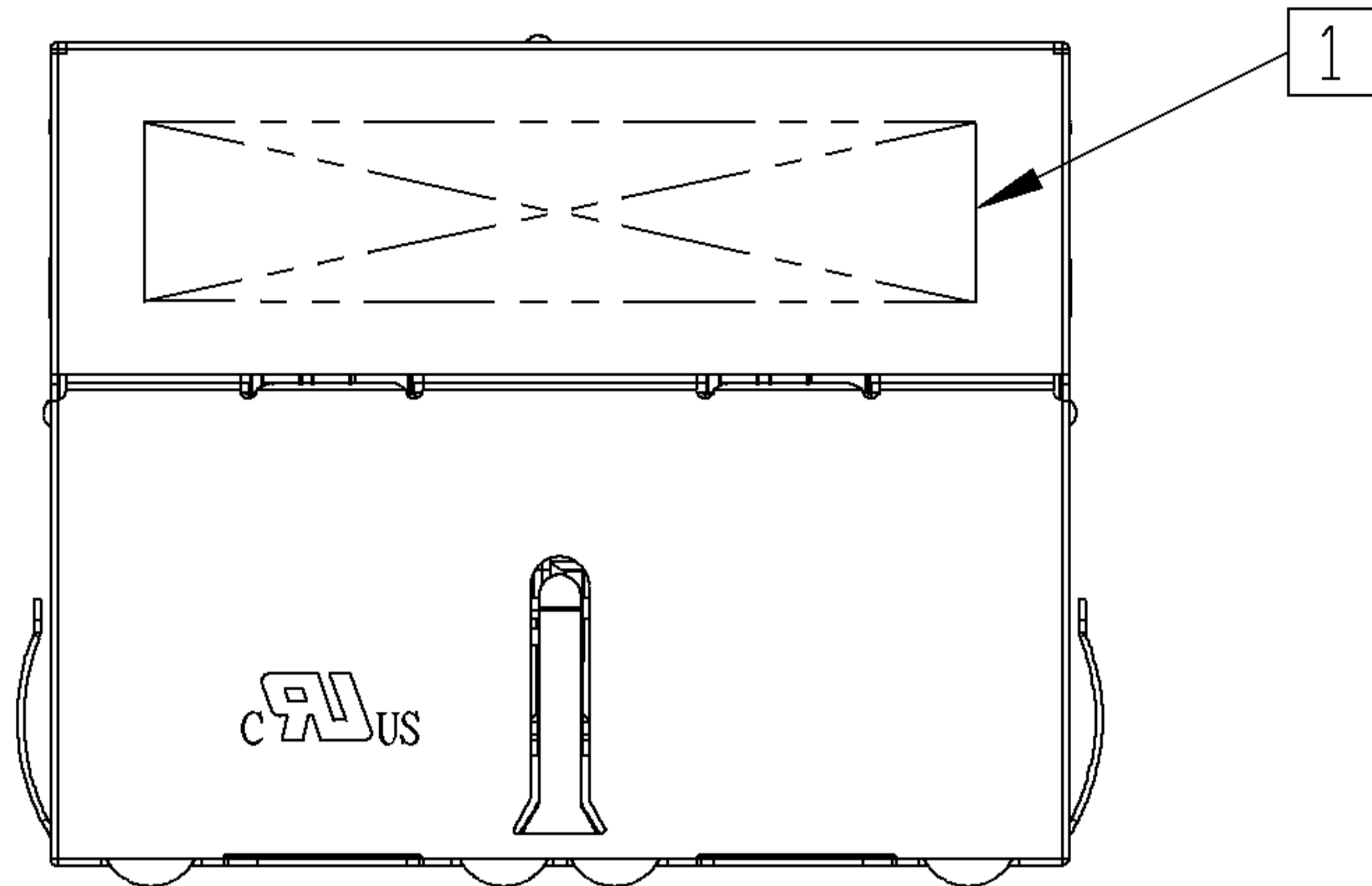
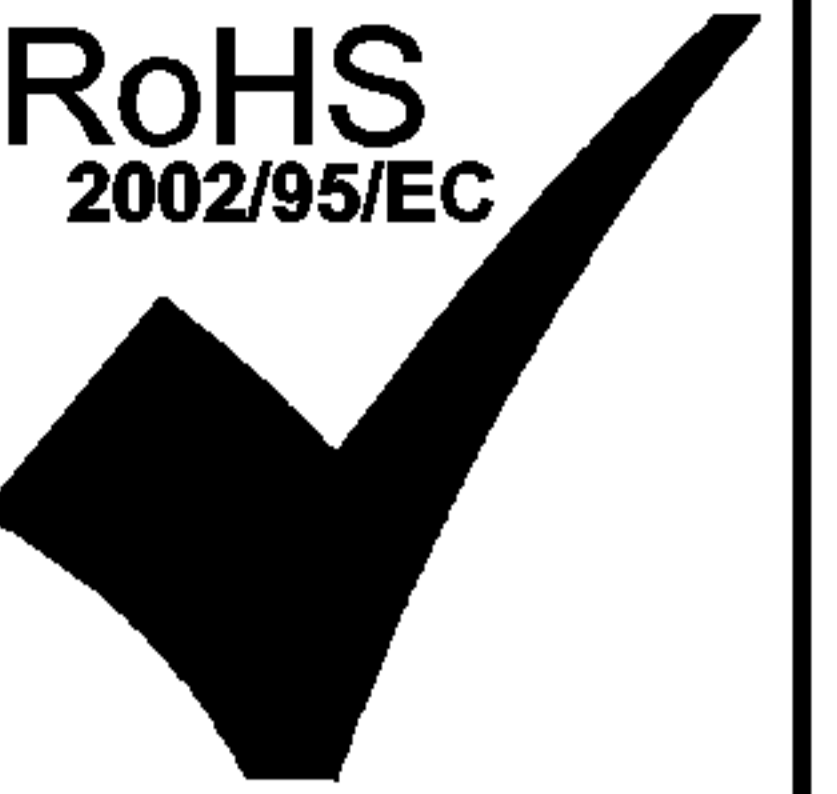


ORIGINATED BY	DATE	TITLE	PART NO. / DRAWING NO.	STANDARD DIM. TOL. IN INCH	[] METRIC DIM. AS REFERENCE
CHOW WANCHUNG	02-04-08	1X2 MagJack® (WITH LED)	0875-1A2T-V1	.X	UNIT : INCH [mm]
DRAWN BY	DATE		FILE NAME	.XX	SCALE : N/A
LEE WEIDE	02-04-08		0875-1A2T-V1_B.DWG	.XXX	PAGE : 2

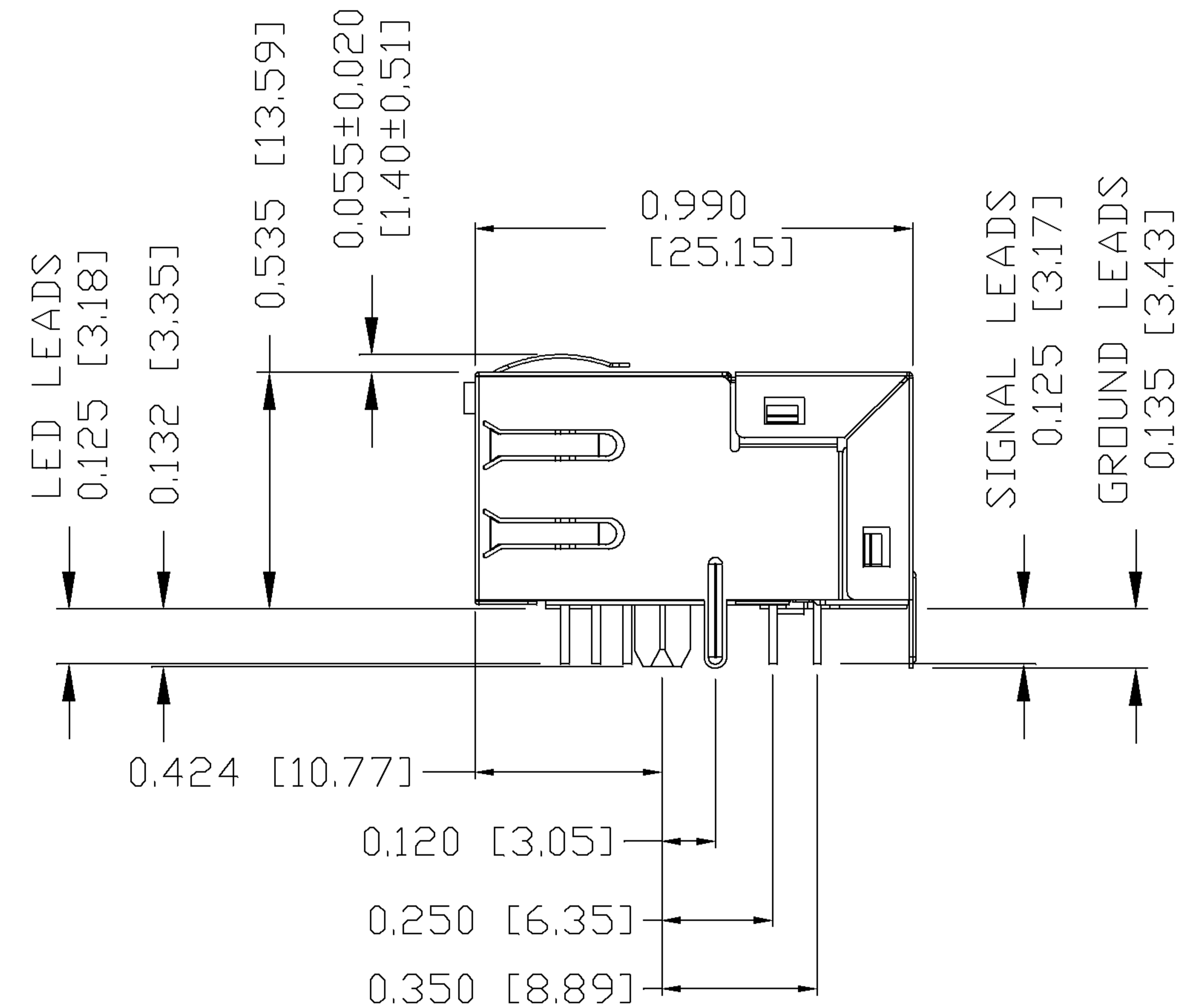
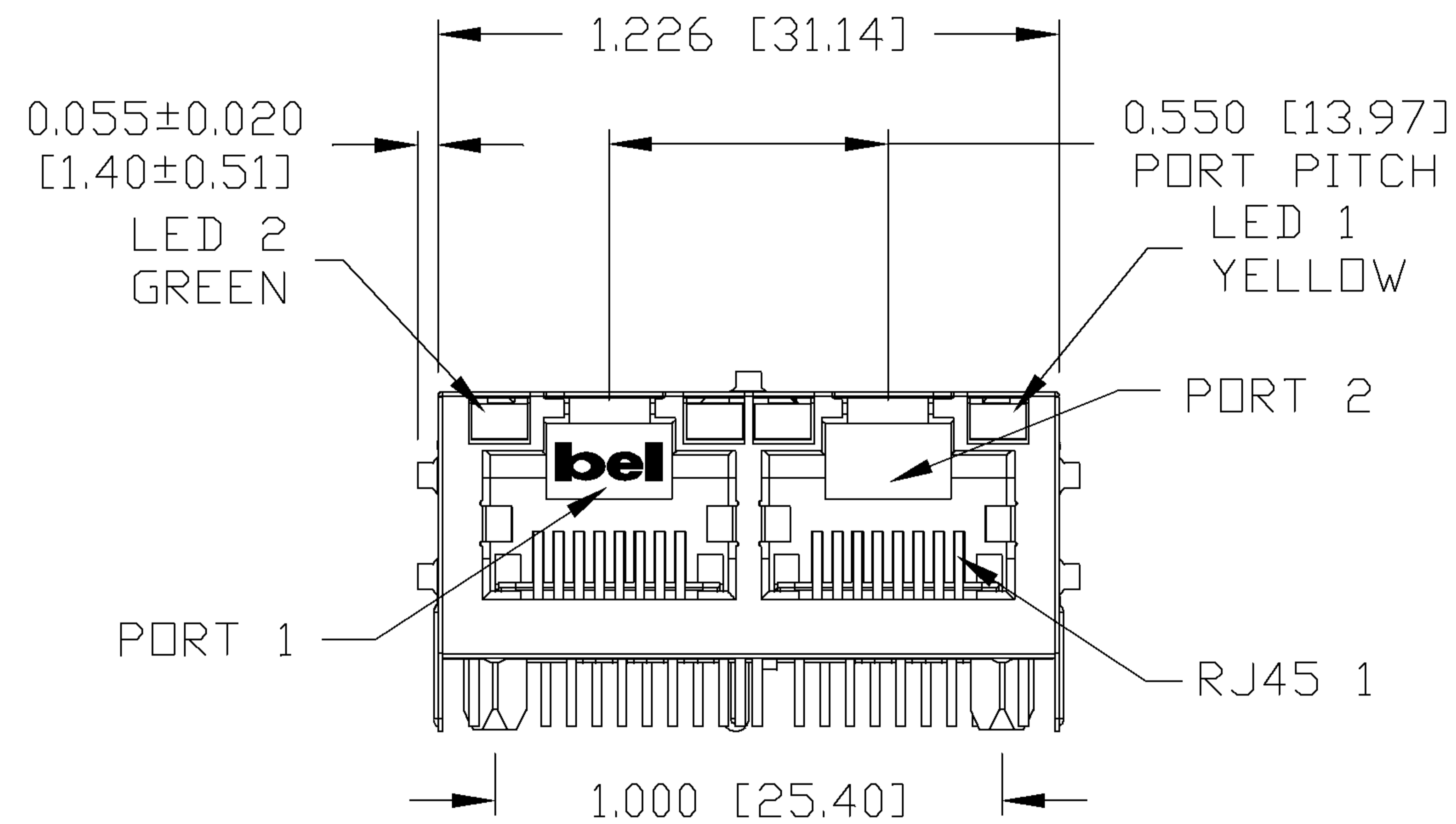


THE INFORMATION CONTAINED HEREIN IS CONSIDERED "PROPRIETARY" TO BEL FUSE INC. AND SHALL NOT BE COPIED, REPRODUCED OR DISCLOSED WITHOUT THE WRITTEN APPROVAL OF BEL FUSE INC.

RoHS
2002/95/EC



BACK VIEW



NOTES:

PLASTIC HOUSING: THERMOPLASTIC PBT
FLAMMABILITY RATING UL 94V-0
CONTACTS PLATING: 30 MICRO-INCH HARD GOLD PLATING
PINS: TIN-COATED COPPER WIRE, DIA 0.018 INCH.
METAL SHIELD: NICKEL PLATED ON COPPER ALLOY.
(ALL GROUND LEADS ARE SOLDER DIPPED)

1 MARK PART WITH MFG LOGO AND MFG NAME.

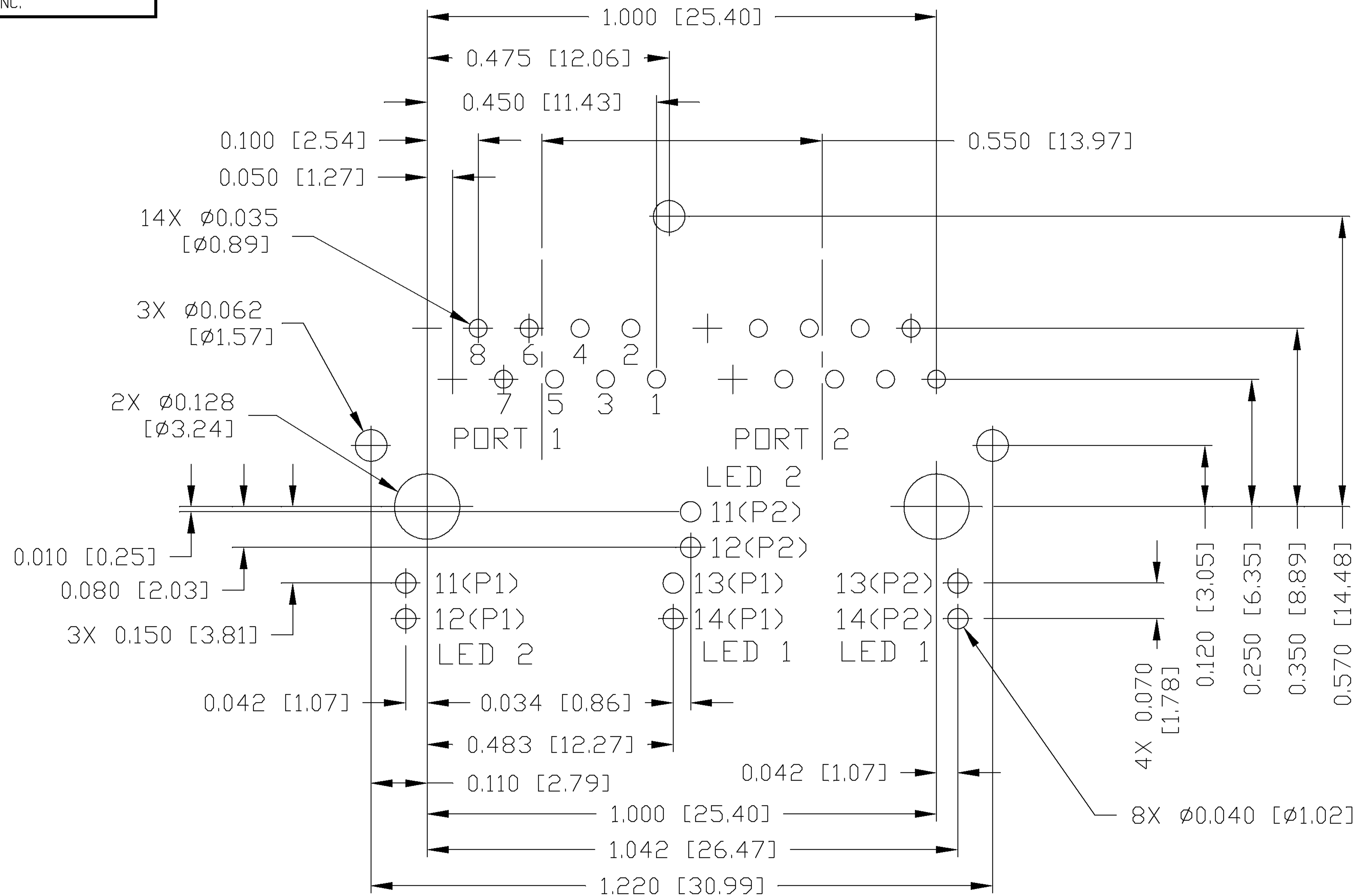
2 MARK PART WITH PART NUMBER AND DATE CODE.

UL UL RECOGNIZED - FILE #E196366 AND E169987.
JACK CAVITY CONFORMS TO FCC RULES AND REGULATIONS.
RoHS COMPLIANCE, PER EU DIRECTIVE 2002/95/EC.

ORIGINATED BY LIU QIN	DATE 02-04-08	TITLE 1X2 MagJack® (WITH LED)	PART NO. / DRAWING NO. 0875-1A2T-V1	STANDARD DIM. TOL. IN INCH	[] METRIC DIM. AS REFERENCE		 COMPONENTS FOR A CONNECTED PLANET
DRAWN BY CHEN TING	DATE 02-04-08		FILE NAME 0875-1A2T-V1_B.DWG	.X	UNIT : INCH [mm]	REV. : B	
			.XX	SCALE : N/A	SIZE : A4		
			.XXX ±0.010		PAGE : 3		

THE INFORMATION CONTAINED HEREIN IS CONSIDERED "PROPRIETARY" TO BEL FUSE INC. AND SHALL NOT BE COPIED, REPRODUCED OR DISCLOSED WITHOUT THE WRITTEN APPROVAL OF BEL FUSE INC.

RoHS
2002/95/EC



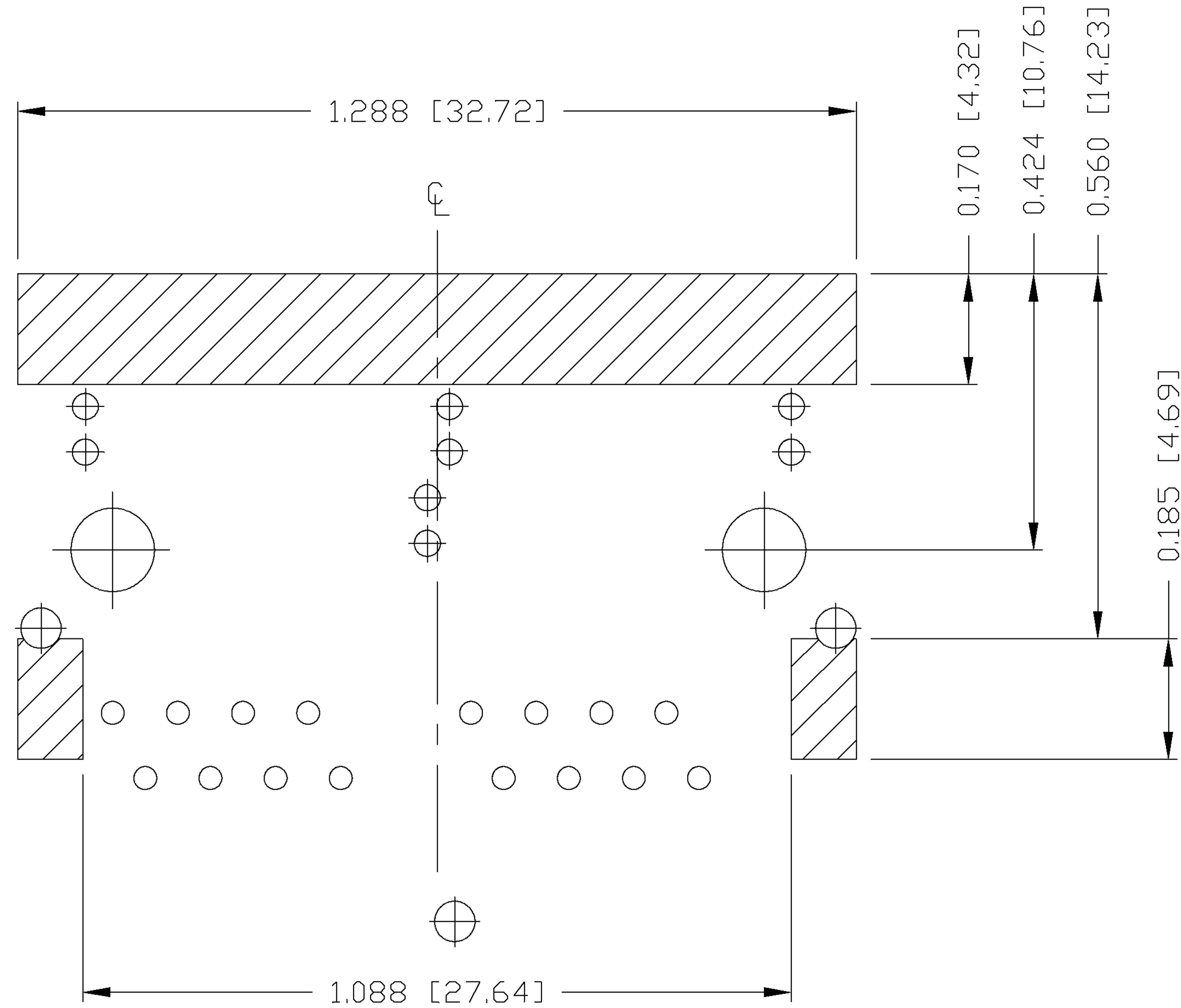
RECOMMENDED PCB FOOTPRINT
COMPONENT SIDE VIEW

ORIGINATED BY LIU QIN	DATE 02-04-08	TITLE 1X2 MagJack® (WITH LED)	PART NO. / DRAWING NO. 0875-1A2T-V1	STANDARD DIM. TOL. IN INCH	[] METRIC DIM. AS REFERENCE
DRAWN BY CHEN TING	DATE 02-04-08		FILE NAME 0875-1A2T-V1_B.DWG	.X .XX .XXX ±0.004	UNIT : INCH [mm] SCALE : N/A REV. : B SIZE : A4 PAGE : 4



THE INFORMATION CONTAINED HEREIN IS CONSIDERED "PROPRIETARY" TO BEL FUSE INC. AND SHALL NOT BE COPIED, REPRODUCED OR DISCLOSED WITHOUT THE WRITTEN APPROVAL OF BEL FUSE INC.

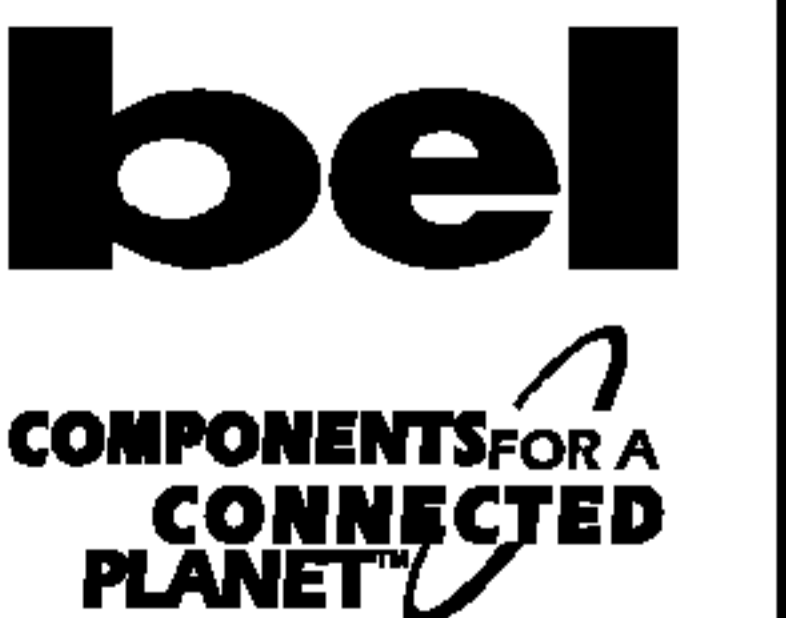
RoHS
2002/95/EC



NOTES

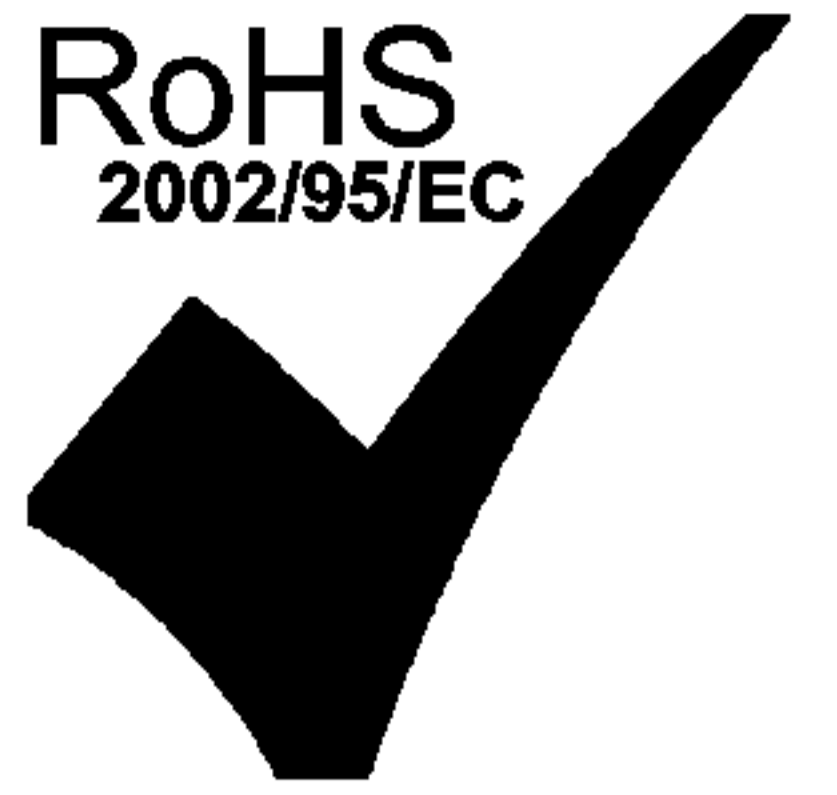
THE SHADED AREA ON THE CUSTOMER BOARD ARE RECOMMENDED TO BE CLEAR OFF ANY VIA HOLE OR COMPONENT PAD.

ORIGINATED BY LIU QIN	DATE 02-04-08	TITLE 1X2 MagJack® (WITH LED)	PART NO. / DRAWING NO. 0875-1A2T-V1	STANDARD DIM. TOL. IN INCH	[] METRIC DIM. AS REFERENCE
DRAWN BY CHEN TING	DATE 02-04-08		FILE NAME 0875-1A2T-V1_B.DWG	.X .XX .XXX	UNIT : INCH [mm] SCALE : N/A

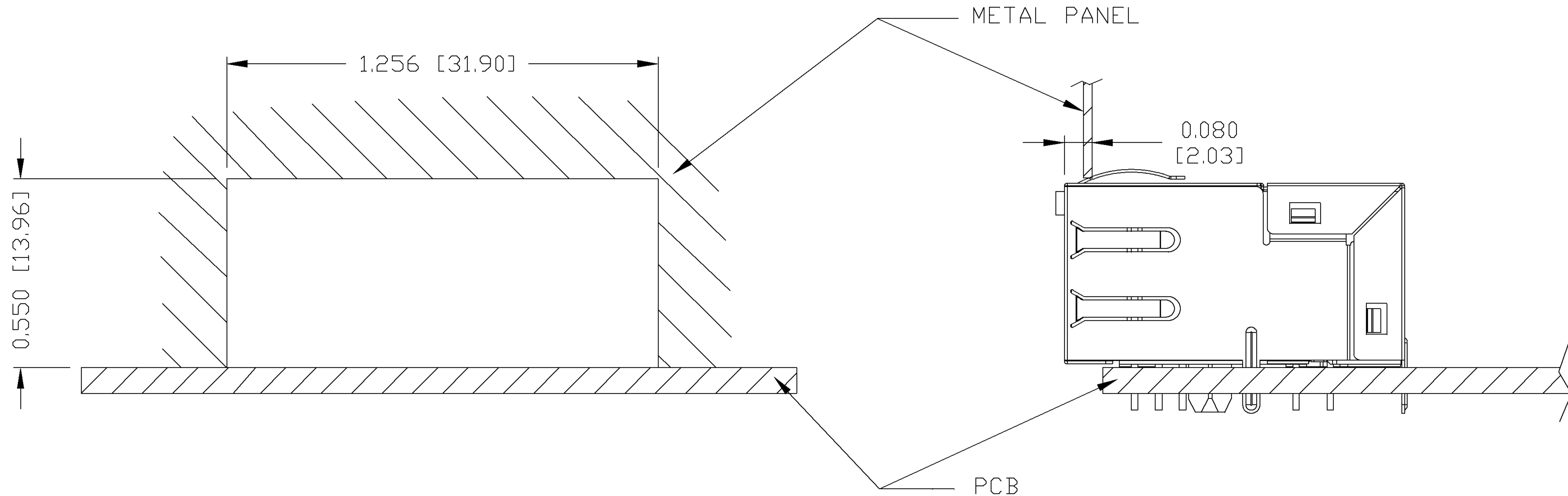


THE INFORMATION CONTAINED HEREIN IS CONSIDERED "PROPRIETARY" TO BEL FUSE INC. AND SHALL NOT BE COPIED, REPRODUCED OR DISCLOSED WITHOUT THE WRITTEN APPROVAL OF BEL FUSE INC.

RoHS
2002/95/EC



SUGGESTED PANEL OPENING



NOTES:

THE DISTANCE OF PANEL INSIDE SURFACE RELATIVE TO FRONT SURFACE OF PART IS ONLY A SUGGESTION. IN CASE THIS DISTANCE IS DIFFERENT, THE REQUIRED PANEL OPENING DIMENSIONS CHANGE ACCORDINGLY.

PACKING INFORMATION

PACKING TRAY : 0200-9999-G4 (TOP)

0200-9999-G5 (BOTTOM)

PACKING QUANTITY : 49 PCS FINISHED GOODS PER TRAY

8 TRAYS (392 PCS FINISHED GOODS) PER CARTON BOX

NOTE : CARDBOARDS ARE PLACED BETWEEN LAYERS OF PACKING TRAY INSIDE CARTON BOX (INCLUDE THE UPPERMOST AND LOWERMOST TRAY)

ORIGINATED BY	DATE	TITLE	PART NO. / DRAWING NO.	STANDARD DIM. TOL. IN INCH	[] METRIC DIM. AS REFERENCE
LIU QIN	02-04-08	1X2 MagJack® (WITH LED)	0875-1A2T-V1	.X	UNIT : INCH [mm] REV. : B
DRAWN BY	DATE		FILE NAME	.XX	SCALE : N/A SIZE : A4
CHEN TING	02-04-08		0875-1A2T-V1_B.DWG	.XXX ±0.004	SCALE : N/A SIZE : A4 PAGE : 6

