

THE INFORMATION CONTAINED HEREIN IS CONSIDERED 'PROPRIETARY' TO BEL FUSE INC. AND SHALL NOT BE COPIED, REPRODUCED OR DISCLOSED WITHOUT THE WRITTEN APPROVAL OF BEL FUSE INC.

RoHS
2002/95/EC



ELECTRICAL CHARACTERISTICS @ 25°C

URNS RATIO

TP1	1CT : 1CT ±2%
TP2	1CT : 1CT ±2%
TP3	1CT : 1CT ±2%
TP4	1CT : 1CT ±2%

CL @ 100kHz/100mVRMS

8mA DC BIAS 350µH MIN.

INS. LOSS

0.1MHz TO 1MHz	-1.1 dB MAX
1MHz TO 65MHz	-0.5 dB MAX
65MHz TO 100MHz	-0.8 dB MAX
100MHz TO 125MHz	-1.2 dB MAX

RET. LOSS (MIN)

0.5MHz-40MHz	-18 dB
40MHz-100MHz	-12+20LOG(f/80MHz) dB

CM TO CM REJ

100kHz - 100MHz -30 dB MIN

CM TO DM REJ

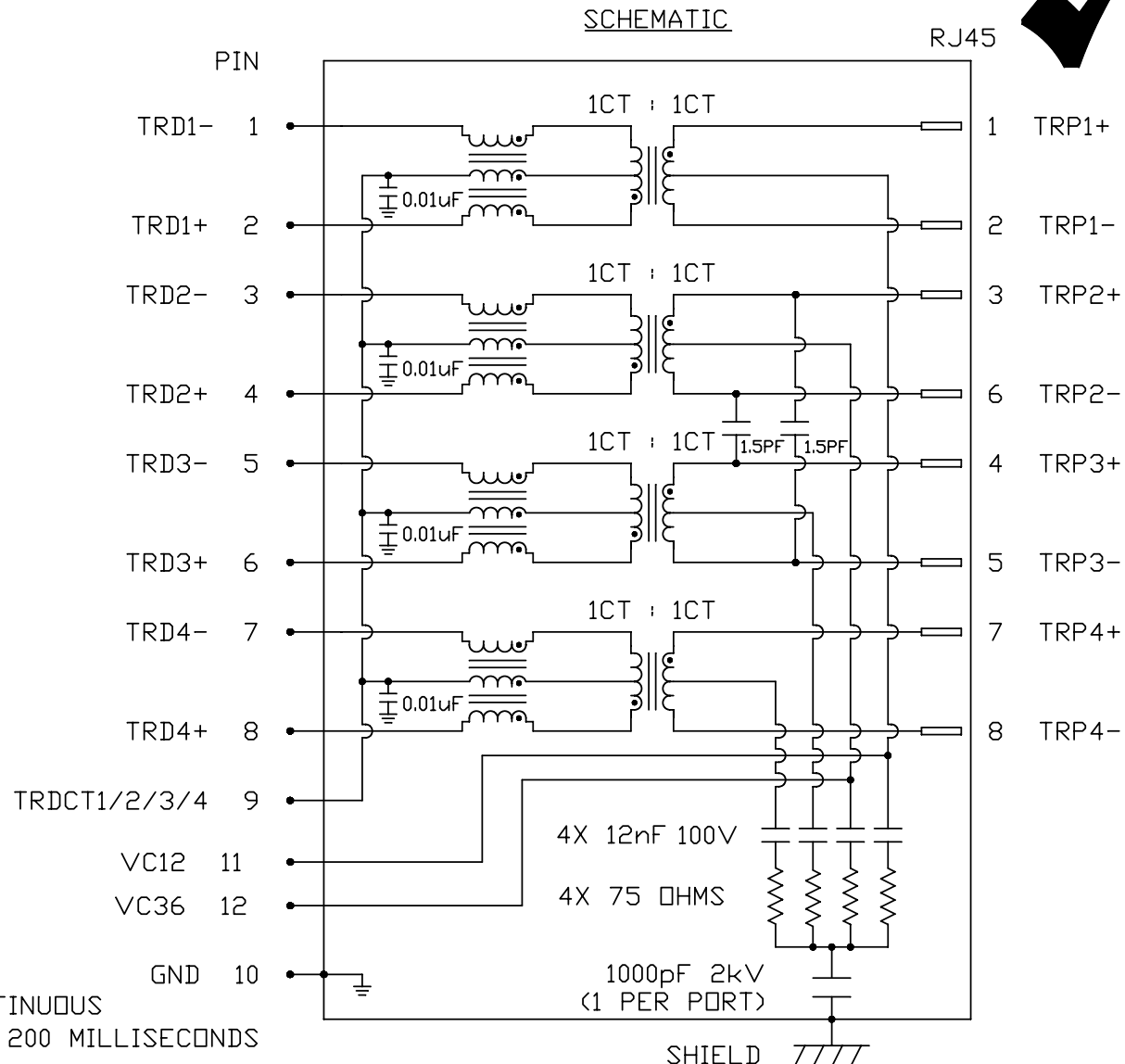
100kHz - 100MHz -35 dB MIN

HIPOT (Isolation Voltage): 2250 VDC

100% OF PRODUCTION TESTED TO COMPLY WITH IEEE 802.3 ISOLATION REQUIREMENTS.

BALANCED DC LINE CURRENT 350 mA MAX. @ 57 VDC CONTINUOUS

500 mA MAX. @ 57 VDC FOR 200 MILLISECONDS



ORIGINATED BY DATE
CHOW WANGCHUNG 07-14-09

TITLE
1X8 gigabit MagJack®
PoE
0874-1X8T-66A-F
0.110 inch pin length of -66
PATENTED

PART NO. / DRAWING NO.
08741X8T66AF

FILE NAME
08741X8T66AF_A.DWG

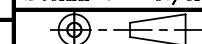
STANDARD DIM.
TOL. IN INCH

.X	
.XX	
.XXX	

[] METRIC DIM. AS REFERENCE

UNIT : INCH [mm]

SCALE : N/A



REV. : A

SIZE : A4

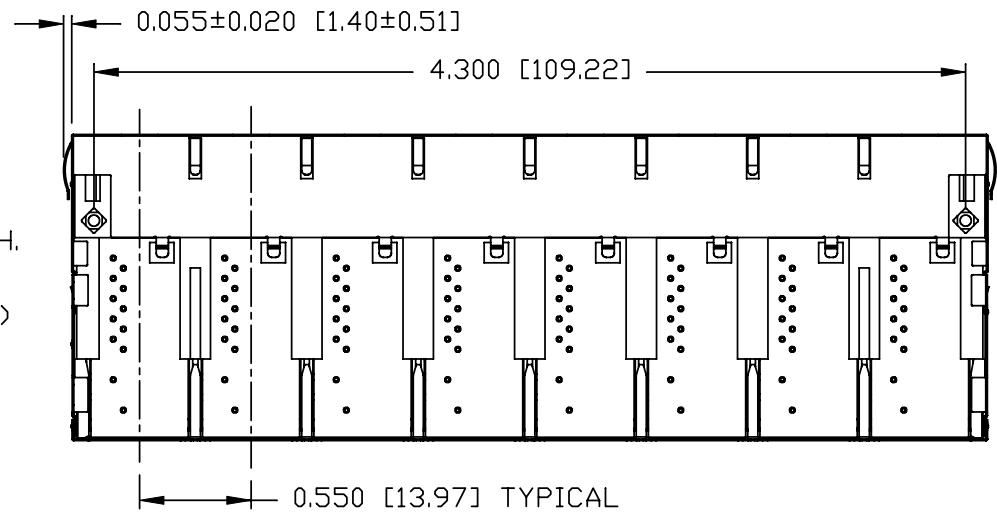
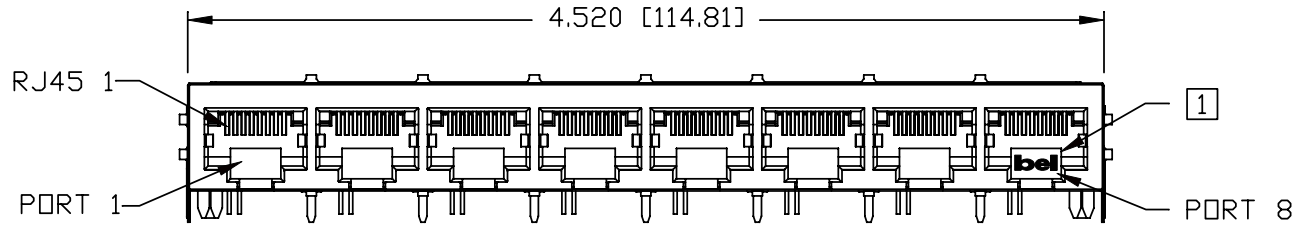
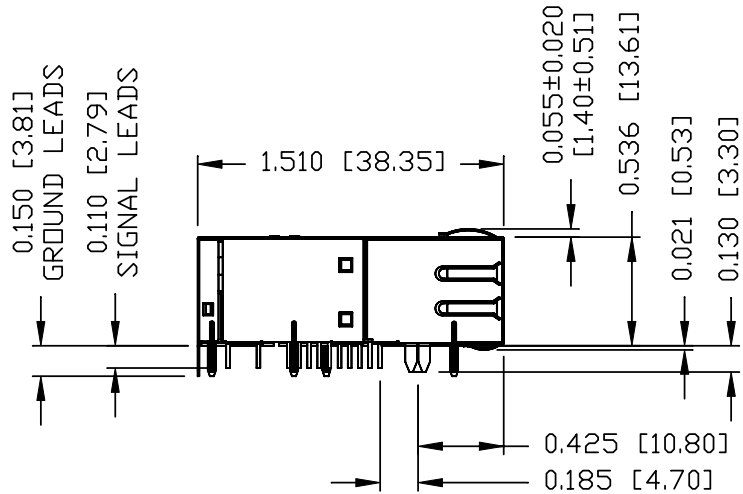
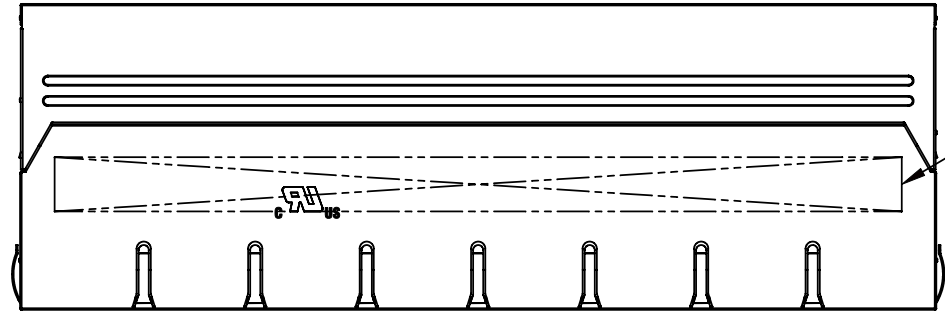
PAGE : 2

bel
COMPONENTS FOR A
CONNECTED
PLANET

THE INFORMATION CONTAINED HEREIN IS CONSIDERED "PROPRIETARY" TO BEL FUSE INC. AND SHALL NOT BE COPIED, REPRODUCED OR DISCLOSED WITHOUT THE WRITTEN APPROVAL OF BEL FUSE INC.

RoHS
2002/95/EC

2



NOTES:

- PLASTIC HOUSING: THERMOPLASTIC PBT
FLAMMABILITY RATING UL 94V-0
- CONTACT PLATING: 50 MICRO-INCH HARD GOLD PLATING
- OUTPUT PINS: TIN-COATED COPPER WIRE, DIA 0.018 INCH.
- METAL SHIELD: NICKEL PLATED ON COPPER ALLOY.
(ALL GROUND LEADS ARE SOLDER DIPPED)

- 1 JACK CAVITY CONFORMS TO FCC RULES AND REGULATIONS, PART 68 SUBPART F.
- 2 MARK PART WITH MFG LOGO, PART NUMBER, DATE CODE, MFG NAME AND PATENTED.

UL UL RECOGNIZED - FILE #E196366 AND E169987.
RoHS COMPLIANCE, PER EU DIRECTIVE 2002/95/EC.
THE PRODUCT IS PATENTED, THE PATENT NUMBER IS U.S. PAT. 5,736,910.

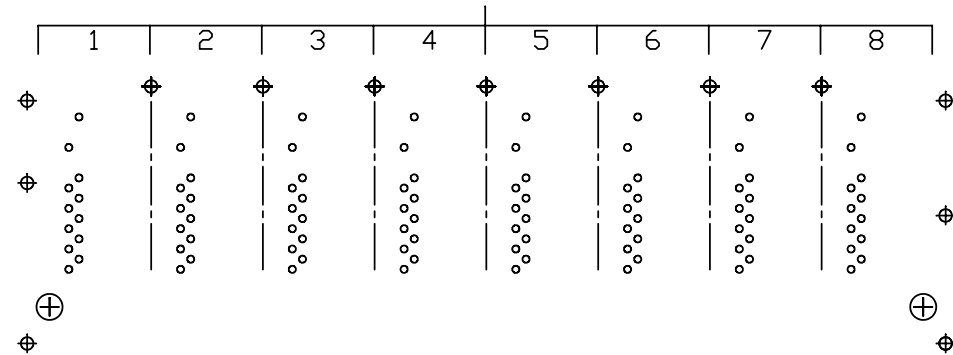
ORIGINATED BY LIU QIN	DATE 07-14-09	TITLE 1X8 gigabit MagJack® PoE 0874-1X8T-66A-F 0.110 inch pin length of -66 PATENTED	PART NO. / DRAWING NO. 08741X8T66AF	STANDARD DIM. TOL. IN INCH	[] METRIC DIM. AS REFERENCE		REV. : A	PAGE : 3
					UNIT : INCH [mm]	SCALE : N/A		
DRAWN BY XIAN JIAXIN	DATE 07-14-09		FILE NAME 08741X8T66AF_A.DWG	.X	±0.010		SIZE : A4	 COMPONENTS FOR A CONNECTED PLANET
	.XX							
	.XXX							

THE INFORMATION CONTAINED HEREIN IS CONSIDERED "PROPRIETARY" TO BEL FUSE INC. AND SHALL NOT BE COPIED, REPRODUCED OR DISCLOSED WITHOUT THE WRITTEN APPROVAL OF BEL FUSE INC.

RoHS
2002/95/EC

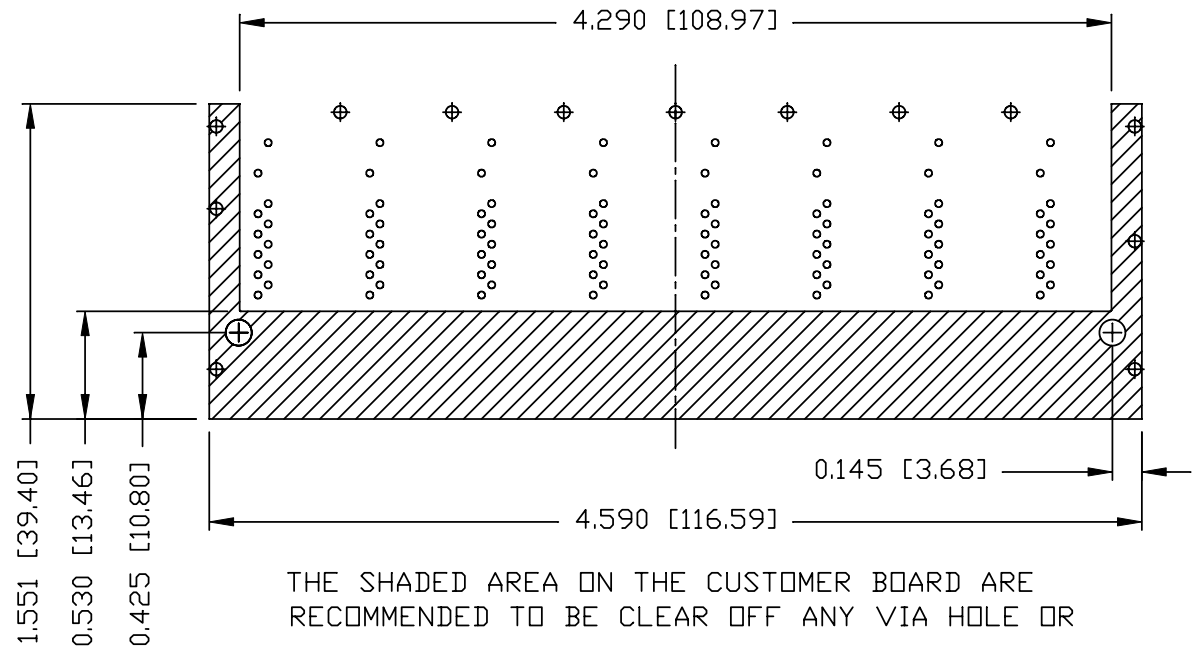


PORT ASSIGNMENT
(COMPONENT SIDE VIEW)



PIN-OUT INFORMATION
(COMPONENT SIDE VIEW)

12	VC36
11	VC12
10	GND
9	TRCT1/2/3/4
8	TRD 4+
7	TRD 4-
6	TRD 3+
5	TRD 3-
4	TRD 2+
3	TRD 2-
2	TRD 1+
1	TRD 1-



THE SHADED AREA ON THE CUSTOMER BOARD ARE RECOMMENDED TO BE CLEAR OFF ANY VIA HOLE OR COMPONENT PAD.

ORIGINATED BY LIU QIN	DATE 07-14-09
DRAWN BY XIAN JIAXIN	DATE 07-14-09

TITLE 1X8 gigabit MagJack® PoE 0874-1X8T-66A-F 0.110 inch pin length of -66 PATENTED

PART NO. / DRAWING NO. 08741X8T66AF
FILE NAME 08741X8T66AF_A.DWG

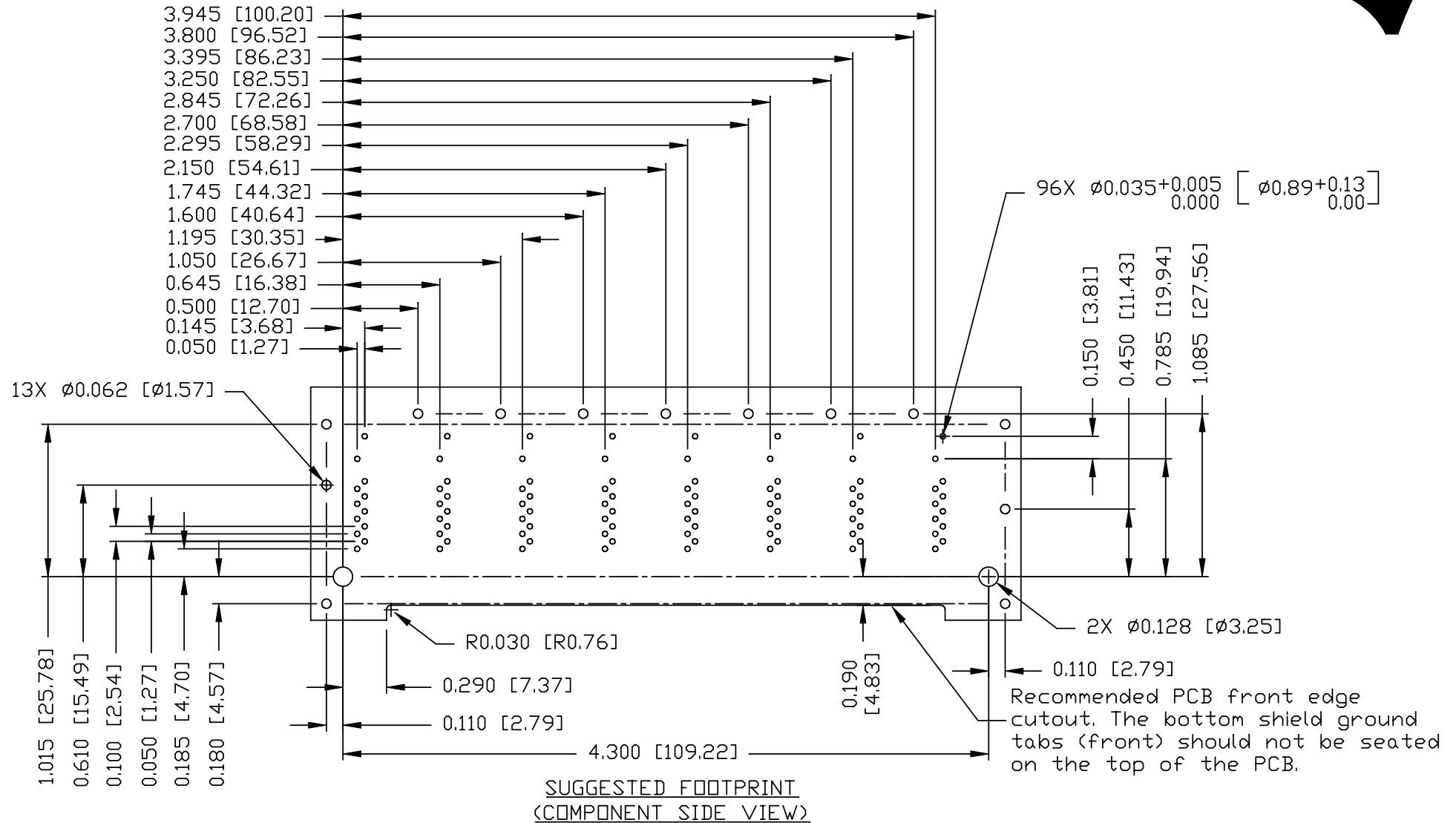
STANDARD DIM. TOL. IN INCH	[] METRIC DIM. AS REFERENCE
.X	UNIT : INCH [mm]
.XX	SCALE : N/A
.XXX ±0.004	REV. : A

UNIT : INCH [mm]	REV. : A
SCALE : N/A	SIZE : A4
PAGE : 4	



THE INFORMATION CONTAINED HEREIN IS CONSIDERED "PROPRIETARY" TO BEL FUSE INC. AND SHALL NOT BE COPIED, REPRODUCED OR DISCLOSED WITHOUT THE WRITTEN APPROVAL OF BEL FUSE INC.

RoHS
2002/95/EC



ORIGINATED BY LIU QIN	DATE 07-14-09	TITLE 1X8 gigabit MagJack® PoE 0874-1X8T-66A-F 0.110 inch pin length of -66 PATENTED	PART NO. / DRAWING NO. 08741X8T66AF		STANDARD DIM. TOL. IN INCH		[] METRIC DIM. AS REFERENCE	
			FILE NAME 08741X8T66AF_A.DWG		.X .XX .XXX	±0.004	UNIT : INCH [mm] SCALE : N/A	REV. : A SIZE : A4 PAGE : 5

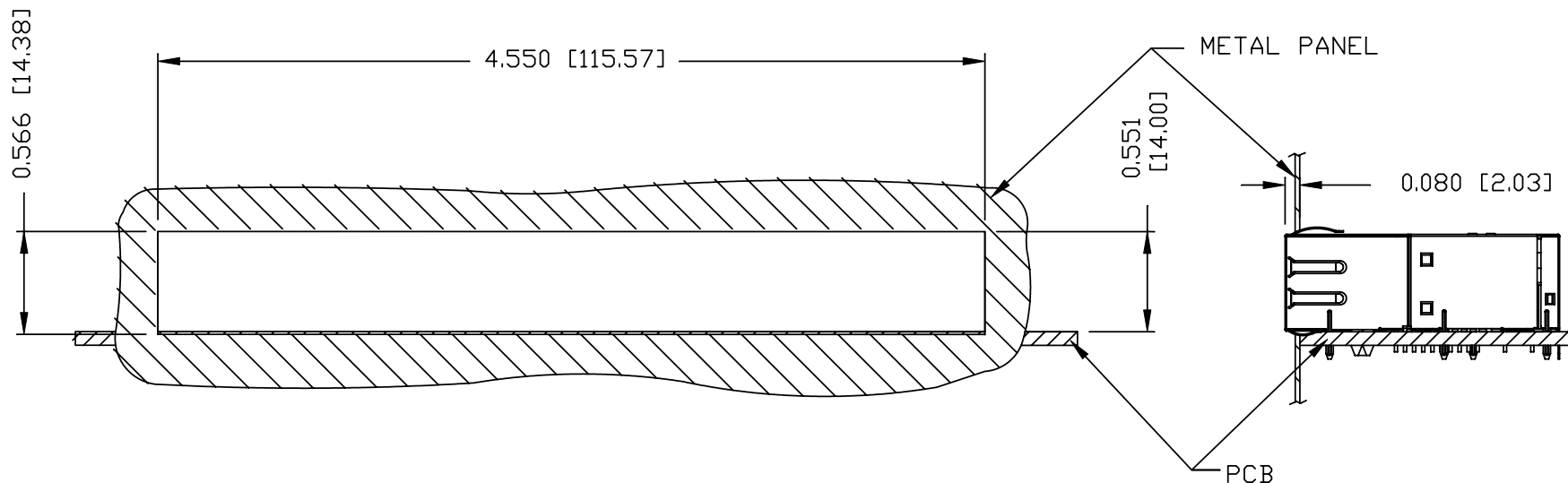


THE INFORMATION CONTAINED HEREIN IS CONSIDERED "PROPRIETARY" TO BEL FUSE INC. AND SHALL NOT BE COPIED, REPRODUCED OR DISCLOSED WITHOUT THE WRITTEN APPROVAL OF BEL FUSE INC.

RoHS
2002/95/EC



SUGGESTED PANEL OPENING



NOTE:

THE DISTANCE OF PANEL INSIDE SURFACE RELATIVE TO FRONT SURFACE OF PART IS ONLY A SUGGESTION. IN CASE THIS DISTANCE IS DIFFERENT, THE REQUIRED PANEL OPENING DIMENSIONS CHANGE ACCORDINGLY.

PACKING INFORMATION

PACKING TRAY : 0200-9999-F8 (TOP)

0200-9999-F9 (BOTTOM)

PACKING QUANTITY : 12 PCS FINISHED GOODS PER TRAY.

5 TRAYS (60 PCS FINISHED GOODS) PER CARTON BOX.

NOTE : CARDBOARDS ARE PLACED BETWEEN LAYERS OF PACKING TRAY INSIDE CARTON BOX.

(INCLUDE THE UPPERMOST AND LOWERMOST TRAY)

ORIGINATED BY LIU QIN	DATE 07-14-09	TITLE 1X8 gigabit MagJack® PoE 0874-1X8T-66A-F 0.110 inch pin length of -66 PATENTED	PART NO. / DRAWING NO. 08741X8T66AF		STANDARD DIM. TOL. IN INCH		[] METRIC DIM. AS REFERENCE		bel COMPONENTS FOR A CONNECTED PLANET
			FILE NAME 08741X8T66AF_A.DWG		.X		UNIT : INCH [mm]	REV. : A	
DRAWN BY XIAN JIAXIN	DATE 07-14-09				.XX		SCALE : N/A	SIZE : A4	
					.XXX	±0.004		PAGE : 6	