

THE INFORMATION CONTAINED HEREIN IS CONSIDERED "PROPRIETARY" TO BEL FUSE INC. AND SHALL NOT BE COPIED, REPRODUCED OR DISCLOSED WITHOUT THE WRITTEN APPROVAL OF BEL FUSE INC.

LED POLARITY		
PIN 13	PIN 14	COLOR
-	+	GREEN
+	-	ORANGE

**ELECTRICAL CHARACTERISTICS @ 25°C**

**URNS RATIO**

TP1	1CT : 1CT ±2%
TP2	1CT : 1CT ±2%
TP3	1CT : 1CT ±2%
TP4	1CT : 1CT ±2%

**DCL @ 100kHz/100mVRMS**

8mA DC BIAS (0°C - 70°C) 350µH MIN.

**INS. LOSS**

0.1MHz TO 1MHz	-1.1 dB MAX
1MHz TO 65MHz	-0.5 dB MAX
65MHz TO 100MHz	-0.8 dB MAX
100MHz TO 125MHz	-1.2 dB MAX

**RET. LOSS (MIN) @ 100ΩHMS ±15%**

0.5MHz-40MHz	-18 dB
40MHz-100MHz	-12+20LOG(f/80MHz) dB

**CM TO CM REJ**

100kHz - 100MHz -30 dB MIN

**CM TO DM REJ**

100kHz - 100MHz -35 dB MIN

**HIPOT (Isolation Voltage):**

1500 Vrms

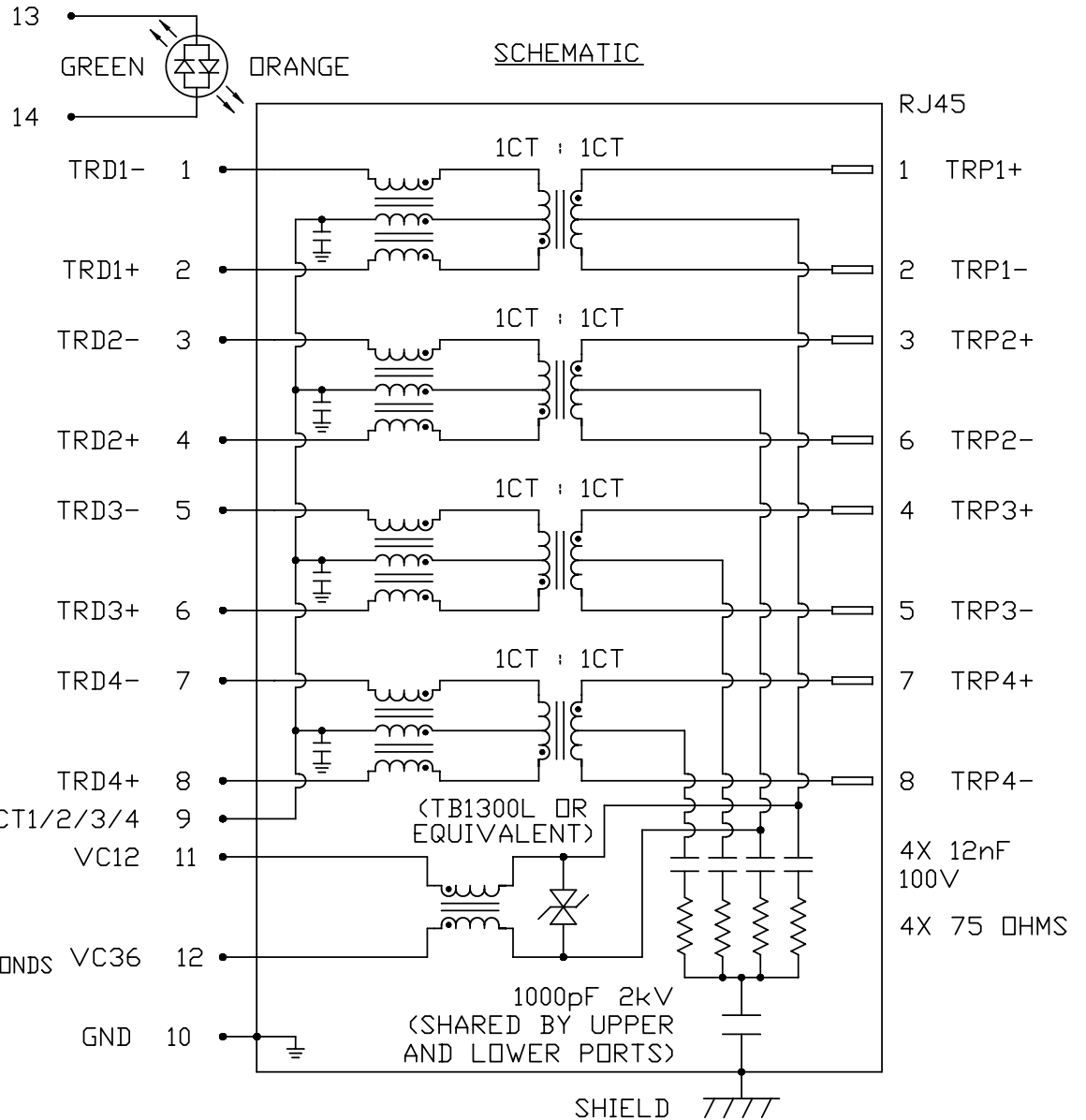
100% OF PRODUCTION TESTED TO COMPLY WITH IEEE 802.3 ISOLATION REQUIREMENT

**BALANCED DC LINE CURRENT** 350 mA MAX. @ 57 VDC CONTINUOUS

**LED**

500 mA MAX. @ 57 VDC FOR 200 MILLISECONDS

VF (FORWARD VOLTAGE)	IF=20mA	GREEN	2.2V TYP.
		ORANGE	2.0V TYP.
λ D (DOMINANT WAVELENGTH)	IF=20mA	GREEN	565nm TYP.
		ORANGE	610nm TYP.



ORIGINATED BY	DATE
CHOW WANGCHUNG	11-20-09
DRAWN BY	DATE
LEE WEIDE	11-20-09

TITLE
2X8 gigabit MagJack® PoE, WITH LED PATENTED

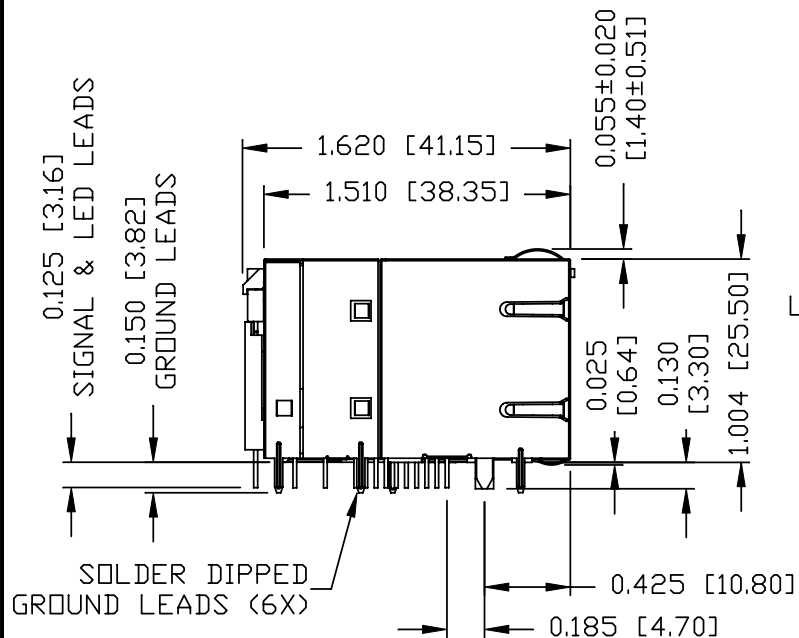
PART NO. / DRAWING NO.
0873-2X8R-G1
FILE NAME
0873-2X8R-G1_A.DWG

STANDARD DIM. TOL. IN INCH
.X
.XX
.XXX

[ ] METRIC DIM. AS REFERENCE
UNIT : INCH [mm]
SCALE : N/A
REV. : A
SIZE : A4
PAGE : 2



THE INFORMATION CONTAINED HEREIN IS CONSIDERED "PROPRIETARY" TO BEL FUSE INC. AND SHALL NOT BE COPIED, REPRODUCED OR DISCLOSED WITHOUT THE WRITTEN APPROVAL OF BEL FUSE INC.



**NOTES:**

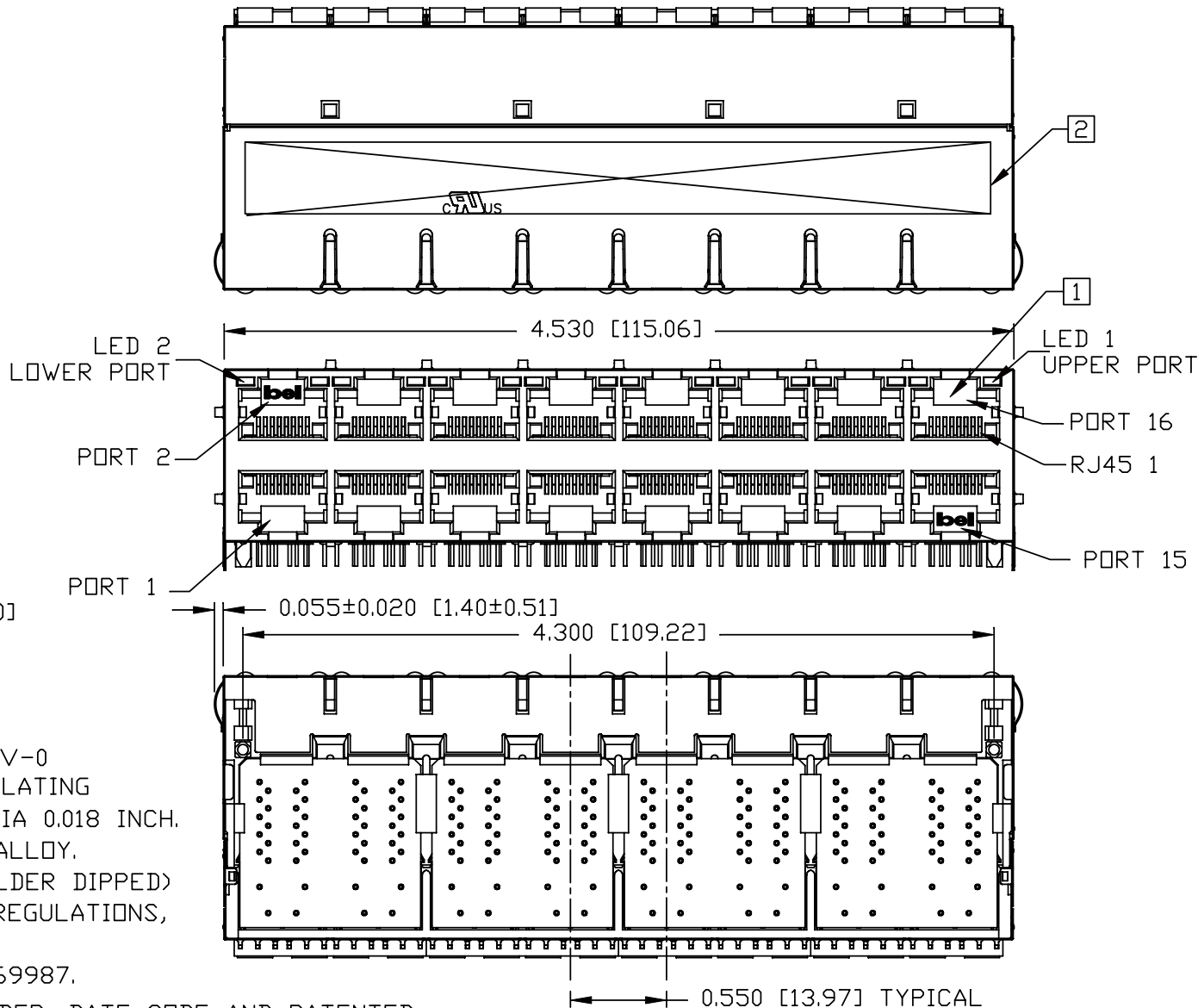
- PLASTIC HOUSING: THERMOPLASTIC PBT  
FLAMMABILITY RATING UL 94V-0
- CONTACT PLATING: 50 MICRO-INCH HARD GOLD PLATING
- OUTPUT PINS: TIN-COATED COPPER WIRE, DIA 0.018 INCH.
- METAL SHIELD: NICKEL PLATED ON COPPER ALLOY.  
(ALL GROUND LEADS ARE SOLDER DIPPED)



[1] JACK CAVITY CONFORMS TO FCC RULES AND REGULATIONS, PART 68 SUBPART F.

**UL** cUs UL RECOGNIZED - FILE #E196366 AND E169987.

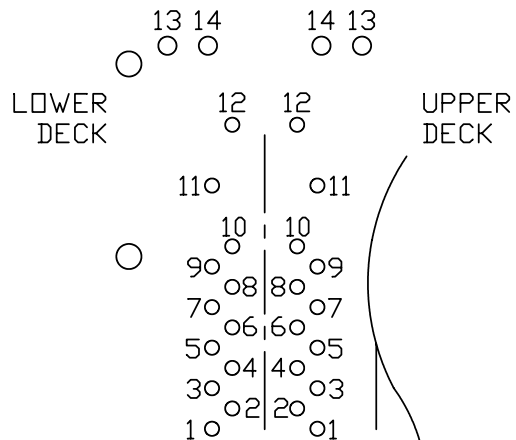
[2] MARK PART WITH MFG LOGO, NAME, PART NUMBER, DATE CODE AND PATENTED.

3. THE PRODUCT IS PATENTED, THE PATENT NUMBER IS U.S. PAT. 5,736,910.



<b>ORIGINATED BY</b> LIU QIN	<b>DATE</b> 11-20-09	<b>TITLE</b> 2X8 gigabit MagJack® PoE, WITH LED PATENTED	<b>PART NO. / DRAWING NO.</b> 0873-2X8R-G1	<b>STANDARD DIM. TOL. IN INCH</b>	<b>[ ] METRIC DIM. AS REFERENCE</b>		 <b>COMPONENTS FOR A CONNECTED PLANET</b>
<b>DRAWN BY</b> XIAN JIAXIN	<b>DATE</b> 11-20-09		<b>FILE NAME</b> 0873-2X8R-G1_A.DWG	.X .XX .XXX	±0.010	UNIT : INCH [mm]	
					SCALE : N/A	SIZE : A4	
						PAGE : 3	

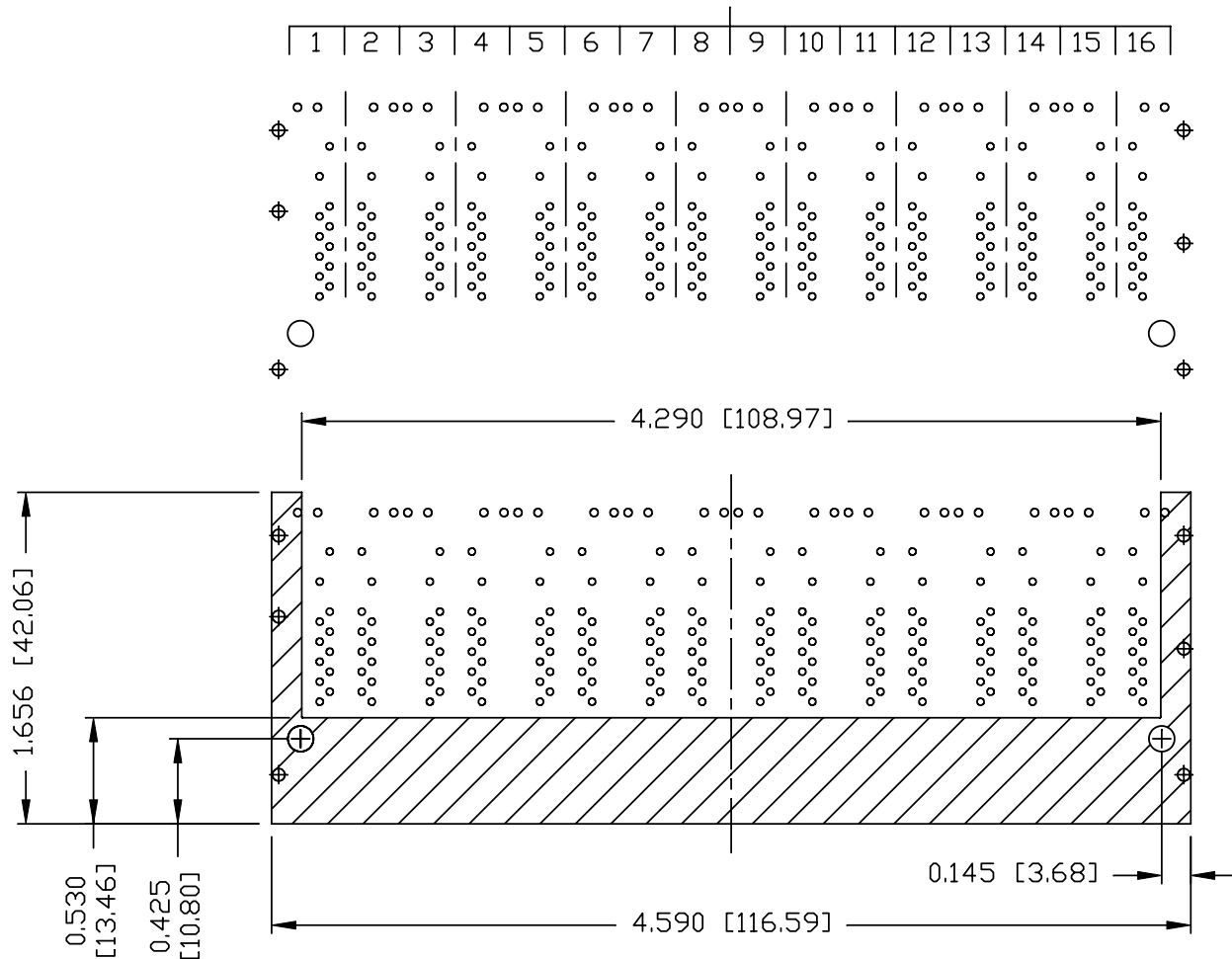
THE INFORMATION CONTAINED HEREIN IS CONSIDERED "PROPRIETARY" TO BEL FUSE INC. AND SHALL NOT BE COPIED, REPRODUCED OR DISCLOSED WITHOUT THE WRITTEN APPROVAL OF BEL FUSE INC.



PIN-OUT INFORMATION  
(COMPONENT SIDE VIEW)

14	GRN (+)/ORG (-)
13	GRN (-)/ORG (+)
12	VC36
11	VC12
10	GND
9	TRCT1/2/3/4
8	TRD 4+
7	TRD 4-
6	TRD 3+
5	TRD 3-
4	TRD 2+
3	TRD 2-
2	TRD 1+
1	TRD 1-

PORT ASSIGNMENT  
(COMPONENT SIDE VIEW)



THE SHADED AREA ON THE CUSTOMER BOARD ARE RECOMMENDED TO BE CLEAR OFF ANY VIA HOLE OR COMPONENT PAD.

<b>ORIGINATED BY</b>	<b>DATE</b>	<b>TITLE</b> 2X8 gigabit MagJack® PoE, WITH LED PATENTED
LIU QIN	11-20-09	
<b>DRAWN BY</b>	<b>DATE</b>	
XIAN JIAXIN	11-20-09	

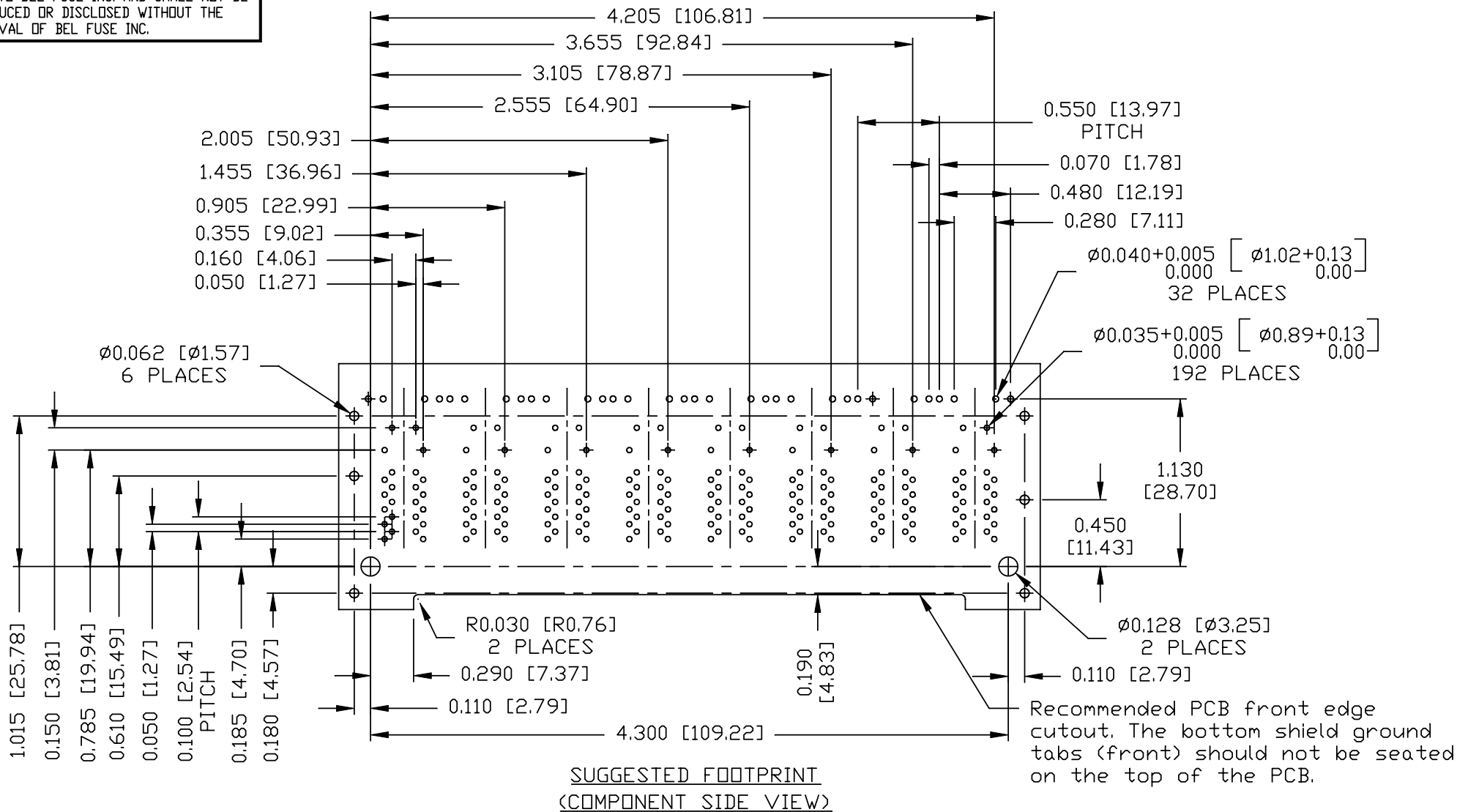
<b>PART NO. / DRAWING NO.</b>	0873-2X8R-G1
<b>FILE NAME</b>	0873-2X8R-G1_A.DWG

<b>STANDARD DIM. TOL. IN INCH</b>	[ ] METRIC DIM. AS REFERENCE
.X	UNIT : INCH [mm] REV. : A
.XX	SCALE : N/A SIZE : A4
.XXX ±0.004	PAGE : 4

--



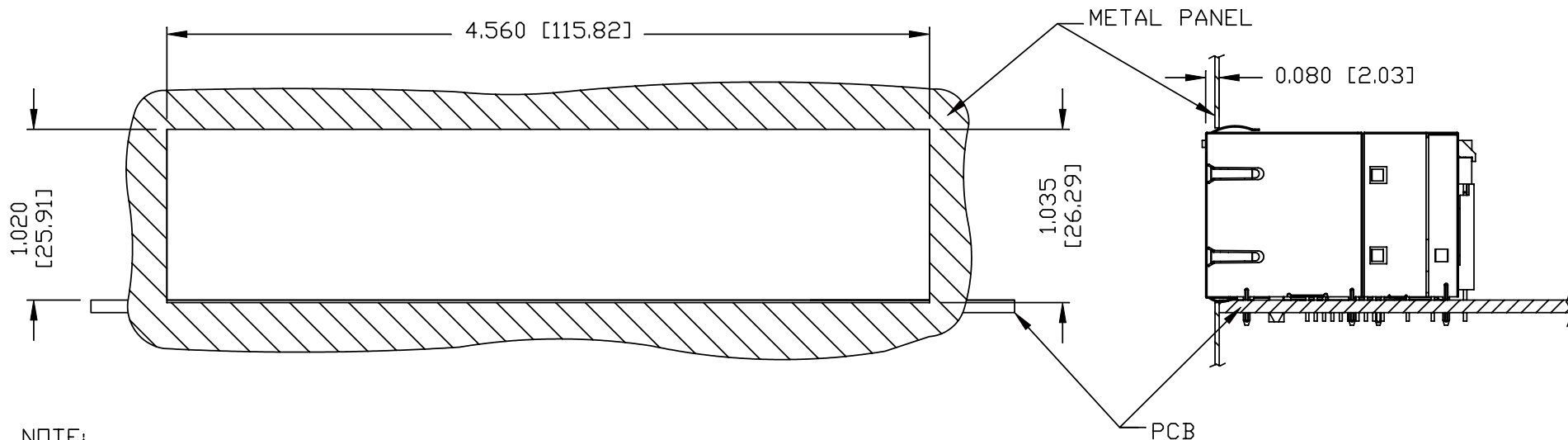
THE INFORMATION CONTAINED HEREIN IS CONSIDERED "PROPRIETARY" TO BEL FUSE INC. AND SHALL NOT BE COPIED, REPRODUCED OR DISCLOSED WITHOUT THE WRITTEN APPROVAL OF BEL FUSE INC.



ORIGINATED BY	DATE	TITLE	PART NO. / DRAWING NO.	STANDARD DIM. TOL. IN INCH		[ ] METRIC DIM. AS REFERENCE		 <b>bel</b> COMPONENTS FOR A CONNECTED PLANET
LIU QIN	11-20-09			2X8 gigabit MagJack® PoE, WITH LED PATENTED	0873-2X8R-G1	.X		
DRAWN BY	DATE		FILE NAME	.XX		SCALE : N/A	SIZE : A4	
XIAN JIAXIN	11-20-09		0873-2X8R-G1_A.DWG	.XXX	±0.004		PAGE : 5	

THE INFORMATION CONTAINED HEREIN IS CONSIDERED "PROPRIETARY" TO BEL FUSE INC. AND SHALL NOT BE COPIED, REPRODUCED OR DISCLOSED WITHOUT THE WRITTEN APPROVAL OF BEL FUSE INC.

SUGGESTED PANEL OPENING



**NOTE:**  
 THE DISTANCE OF PANEL INSIDE SURFACE RELATIVE TO FRONT SURFACE OF PART IS ONLY A SUGGESTION. IN CASE THIS DISTANCE IS DIFFERENT, THE REQUIRED PANEL OPENING DIMENSIONS CHANGE ACCORDINGLY.

PACKING INFORMATION

PACKING TRAY : 0200-9999-D1 (TOP)


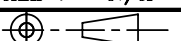
0200-9999-D9 (BOTTOM)

PACKING QUANTITY : 10 PCS FINISHED GOODS PER TRAY.

5 TRAYS (50 PCS FINISHED GOODS) PER CARTON BOX.

NOTE : CARDBOARDS ARE PLACED BETWEEN LAYERS OF PACKING TRAY INSIDE CARTON BOX.

(INCLUDE THE UPPERMOST AND LOWERMOST TRAY)

<b>ORIGINATED BY</b>	<b>DATE</b>	<b>TITLE</b> 2X8 gigabit MagJack® PoE, WITH LED PATENTED	<b>PART NO. / DRAWING NO.</b>	<b>STANDARD DIM.</b>		<b>[ ] METRIC DIM. AS REFERENCE</b>		
LIU QIN	11-20-09		0873-2X8R-G1	<b>TOL. IN INCH</b>		<b>UNIT : INCH [mm]</b>	<b>REV. : A</b>	
<b>DRAWN BY</b>	<b>DATE</b>	<b>FILE NAME</b>	.X	±0.004	<b>SCALE : N/A</b>	<b>SIZE : A4</b>		
XIAN JIAXIN	11-20-09	0873-2X8R-G1_A.DWG	.XX		±0.004		<b>PAGE : 6</b>	
			.XXX					