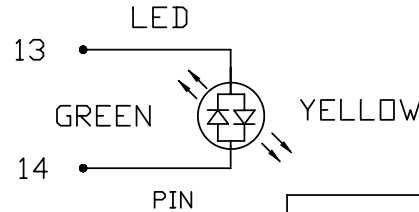


THE INFORMATION CONTAINED HEREIN IS CONSIDERED 'PROPRIETARY' TO BEL FUSE INC. AND SHALL NOT BE COPIED, REPRODUCED OR DISCLOSED WITHOUT THE WRITTEN APPROVAL OF BEL FUSE INC.

BI-COLOR LED POLARITY			
PIN	13	14	
GREEN	-	+	
YELLOW	+	-	



RoHS
2002/95/EC



ELECTRICAL CHARACTERISTICS @ 25°C

URNS RATIO

TP1	1CT : 1CT ±2%
TP2	1CT : 1CT ±2%
TP3	1CT : 1CT ±2%
TP4	1CT : 1CT ±2%

OCL @ 100kHz, 20mVRMS AND 24mA DC BIAS FROM 0°C TO 70°C
PAIRS (1-2) AND (3-6) 350µH MIN.

OCL @ 100kHz, 20mVRMS AND 8mA DC BIAS FROM 0°C TO 70°C
PAIRS (4-5) AND (7-8) 350µH MIN.

INSERTION LOSS

0.1MHz TO 1MHz	-1.1 dB MAX
1MHz TO 65MHz	-0.7 dB MAX
65MHz TO 100MHz	-1.0 dB MAX
100MHz TO 125MHz	-1.5 dB MAX

RET. LOSS (MIN) @ 100MHZ

0.5MHz-40MHz	-18 dB
40MHz-100MHz	-12+20LOG(f/80MHz) dB

CM TO CM REJ

100kHz - 100MHz	-28 dB MIN
-----------------	------------

CM TO DM REJ

100kHz - 100MHz	-35 dB MIN
-----------------	------------

CROSS TALK

1MHz-60MHz	-30dB MIN
60MHz-100MHz	-25dB MIN

HIPOT (Isolation Voltage): 2250 VDC

100% OF PRODUCTION TESTED TO COMPLY WITH
IEEE 802.3 ISOLATION REQUIREMENTS.

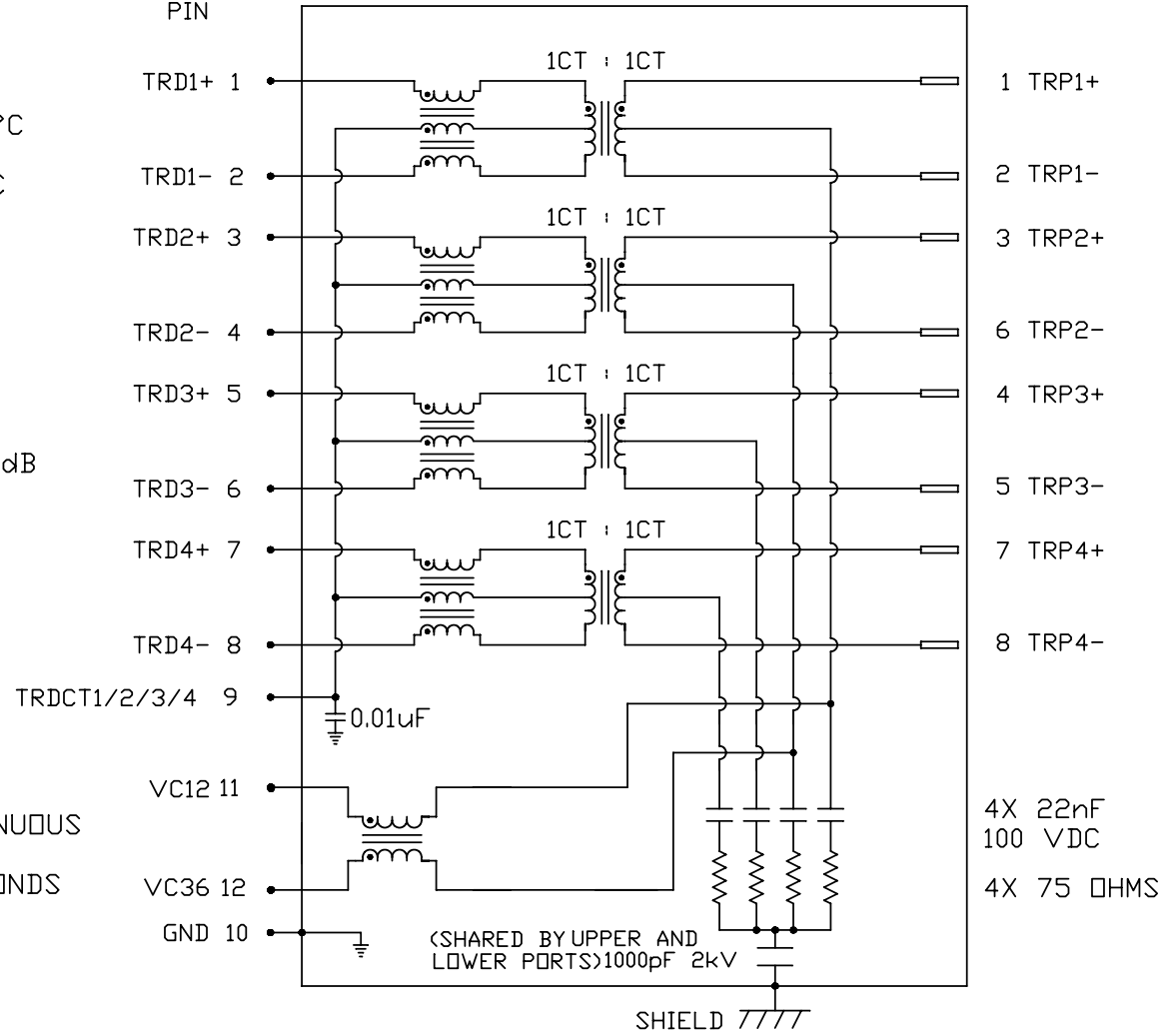
BALANCED DC LINE CURRENT 720 mA MAX. @ 57 VDC CONTINUOUS
1.2 A MAX.

LED @ 57 VDC for 200 MILLISECONDS

VF (FORWARD VOLTAGE) IF=20mA GREEN 2.2V TYP.
YELLOW 2.1V TYP.

λD (DOMINANT WAVELENGTH) IF=20mA GREEN 565nm TYP.
YELLOW 590nm TYP.

SCHEMATIC



RJ45

ORIGINATED BY	DATE	TITLE
CHOW WANGCHUNG	04-13-09	2X6 gigabit MagJack® PoE+,24mA
DRAWN BY	DATE	FILE NAME
LEE WEIDE	04-13-09	08732X6RHJ-F_A.DWG

PART NO. / DRAWING NO.	STANDARD DIM. TOL. IN INCH	[] METRIC DIM. AS REFERENCE
08732X6RHJ-F	.X .XX .XXX	UNIT : INCH [mm] SCALE : N/A REV. : A SIZE : A4 PAGE : 2

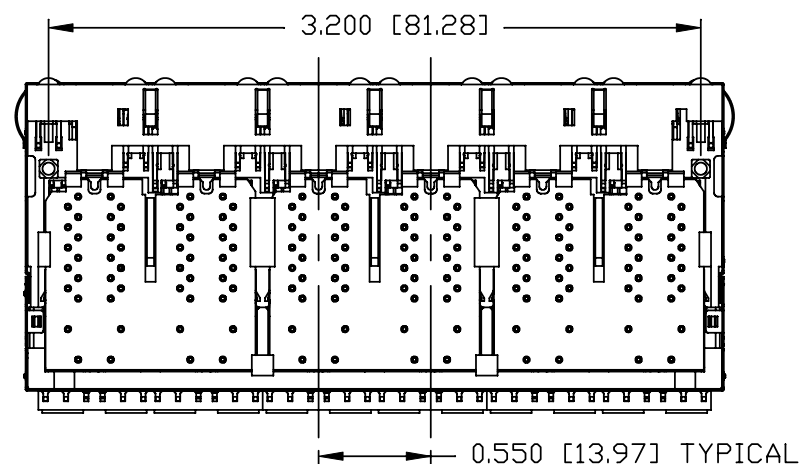
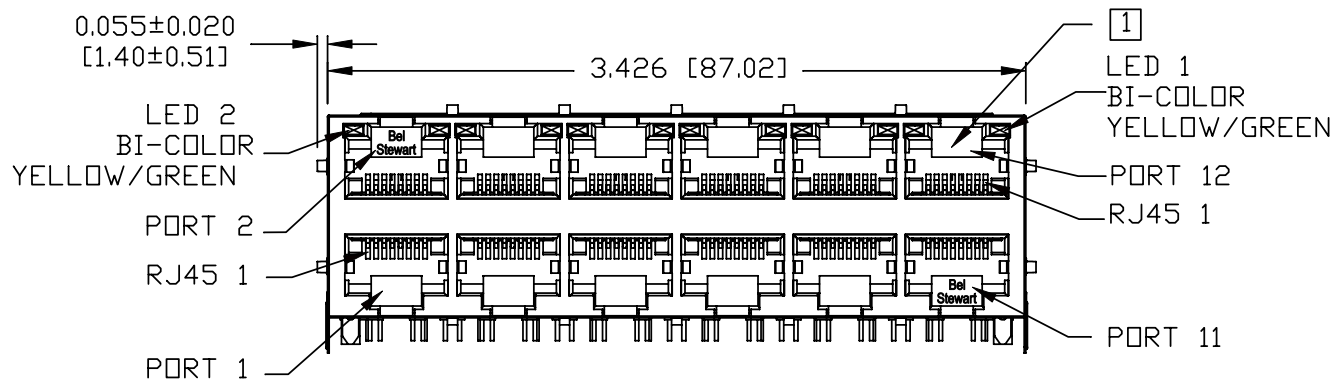
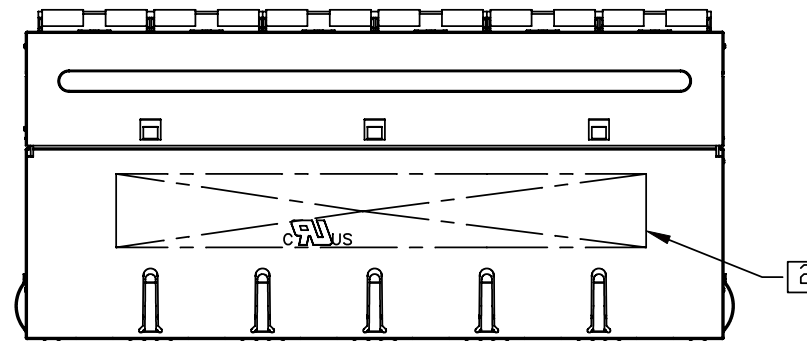
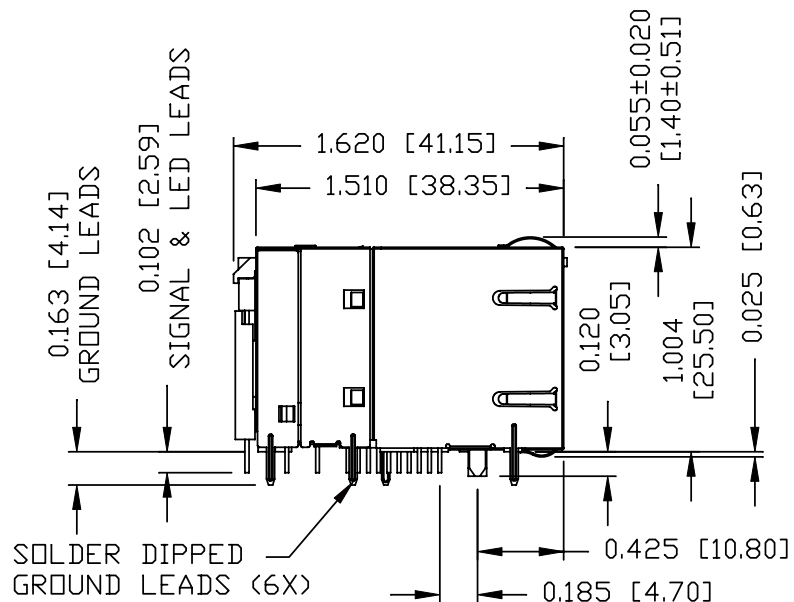
STANDARD DIM. TOL. IN INCH	[] METRIC DIM. AS REFERENCE
.X .XX .XXX	UNIT : INCH [mm] SCALE : N/A REV. : A SIZE : A4 PAGE : 2

STANDARD DIM. TOL. IN INCH	[] METRIC DIM. AS REFERENCE
.X .XX .XXX	UNIT : INCH [mm] SCALE : N/A REV. : A SIZE : A4 PAGE : 2



THE INFORMATION CONTAINED HEREIN IS CONSIDERED "PROPRIETARY" TO BEL FUSE INC. AND SHALL NOT BE COPIED, REPRODUCED OR DISCLOSED WITHOUT THE WRITTEN APPROVAL OF BEL FUSE INC.

RoHS
2002/95/EC

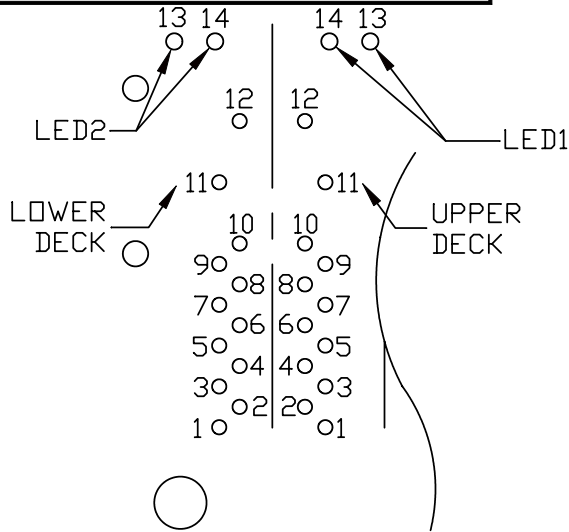


ORIGINATED BY CHEN BILL	DATE 04-13-09	TITLE 2X6 glgabit MagJack® PoE+,24mA	PART NO. / DRAWING NO. 08732X6RHJ-F	STANDARD DIM. TOL. IN INCH	[] METRIC DIM. AS REFERENCE	
DRAWN BY LIU QIN	DATE 04-13-09		FILE NAME 08732X6RHJ-F_A.DWG	.X .XX .XXX	UNIT : INCH [mm] SCALE : N/A	REV. : A SIZE : A4 PAGE : 3
			±0.010			



THE INFORMATION CONTAINED HEREIN IS CONSIDERED "PROPRIETARY" TO BEL FUSE INC. AND SHALL NOT BE COPIED, REPRODUCED OR DISCLOSED WITHOUT THE WRITTEN APPROVAL OF BEL FUSE INC.

RoHS
2002/95/EC



14	GRN (+) YEL (-)
13	GRN (-) YEL (+)
12	VC36
11	VC12
10	GND
9	TRDCT1/2/3/4
8	TRD 4-
7	TRD 4+
6	TRD 3-
5	TRD 3+
4	TRD 2-
3	TRD 2+
2	TRD 1-
1	TRD 1+

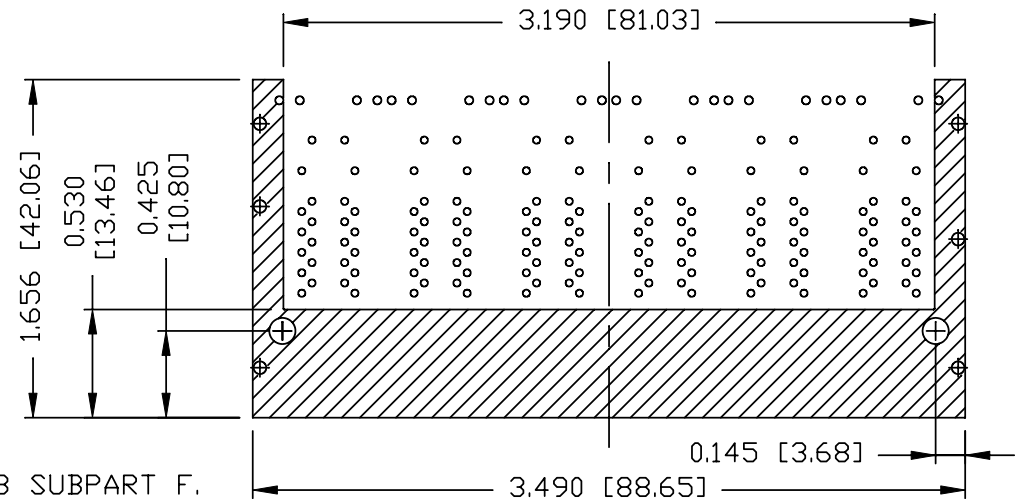
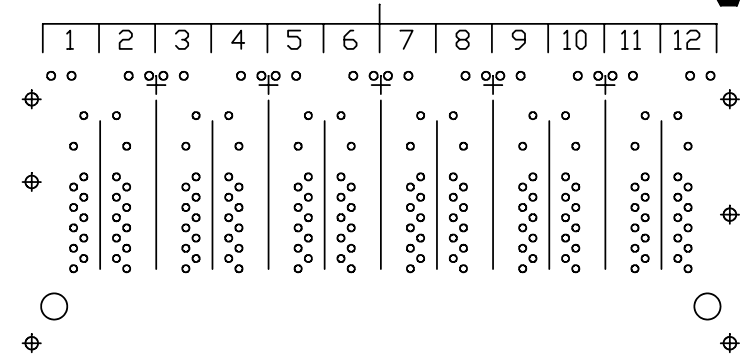
PIN-OUT INFORMATION
(COMPONENT SIDE VIEW)

NOTES:

PLASTIC HOUSING: THERMOPLASTIC PBT
FLAMMABILITY RATING UL 94V-0
CONTACT PLATING: 50 MICRON INCH HARD GOLD PLATING
OUTPUT PINS: TIN-COATED COPPER WIRE, DIA 0.018 INCH.
METAL SHIELD: NICKEL PLATED ON COPPER ALLOY.
(ALL GROUND LEADS ARE SOLDER DIPPED)

- JACK CAVITY CONFORMS TO FCC RULES AND REGULATIONS, PART 68 SUBPART F.
- MARK PART WITH MFG LOGO, PART NUMBER, DATE CODE AND MFG NAME.
- RoHS COMPLIANCE, PER EU DIRECTIVE 2002/95/EC.
cULus UL RECOGNIZED - FILE #E196366 AND E169987.
- THE AXIAL RETENTION FORCE OF RJ PORT IS 15LB MIN.

PORT ASSIGNMENT
(COMPONENT SIDE VIEW)

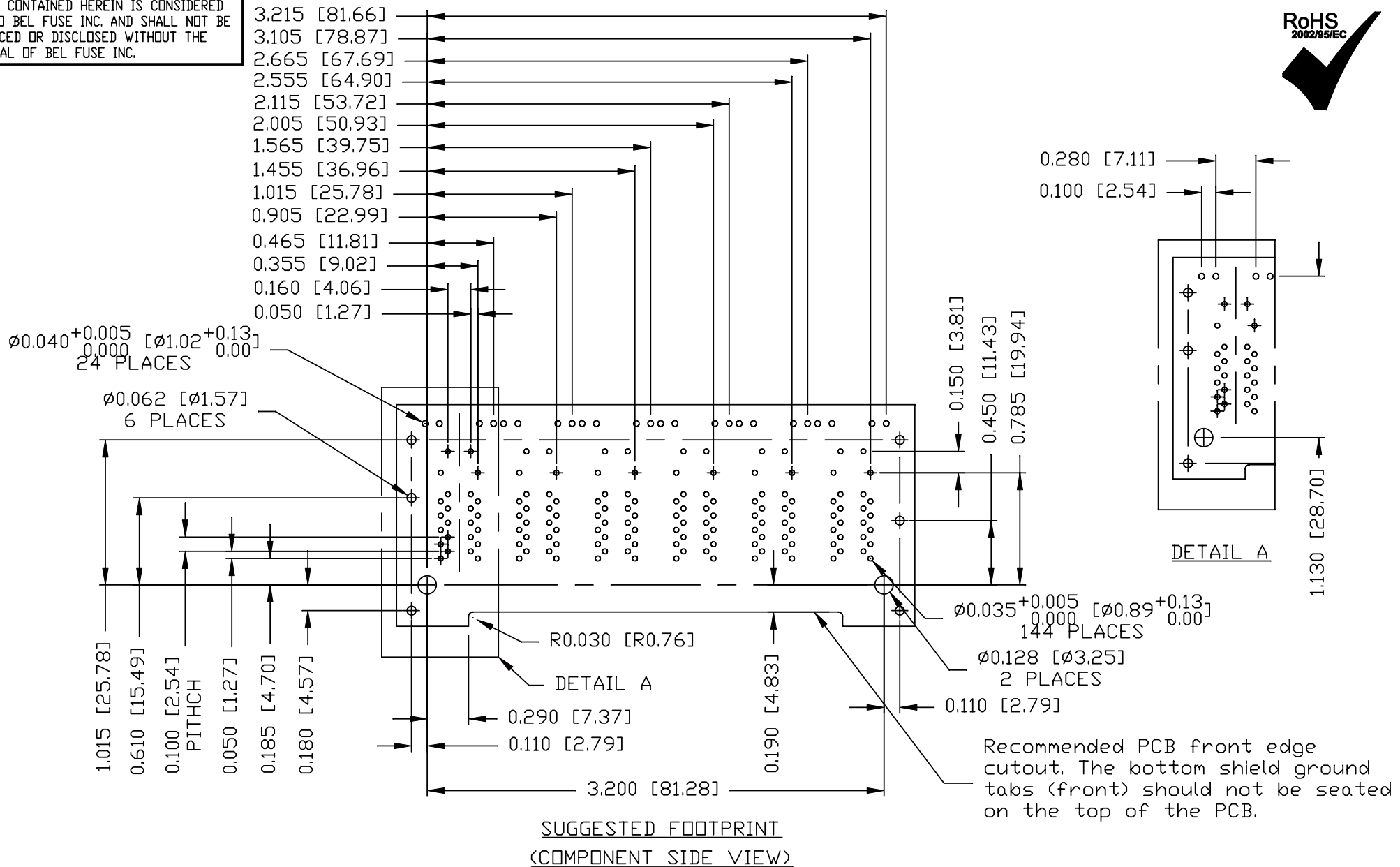


THE SHADED AREA ON THE CUSTOMER BOARD ARE RECOMMENDED TO BE CLEAR OFF ANY VIA HOLE OR COMPONENT PAD.

ORIGINATED BY CHEN BILL	DATE 04-13-09	TITLE 2X6 gigabit MagJack® PoE+, 24mA 0873-2X6R-HJ-F	PART NO. / DRAWING NO. 08732X6RHJ-F	STANDARD DIM. TOL. IN INCH	[] METRIC DIM. AS REFERENCE	
	DRAWN BY LIU QIN		DATE 04-13-09	FILE NAME 08732X6RHJ-F_A.DWG	.X .XX .XXX	±0.004



THE INFORMATION CONTAINED HEREIN IS CONSIDERED "PROPRIETARY" TO BEL FUSE INC. AND SHALL NOT BE COPIED, REPRODUCED OR DISCLOSED WITHOUT THE WRITTEN APPROVAL OF BEL FUSE INC.



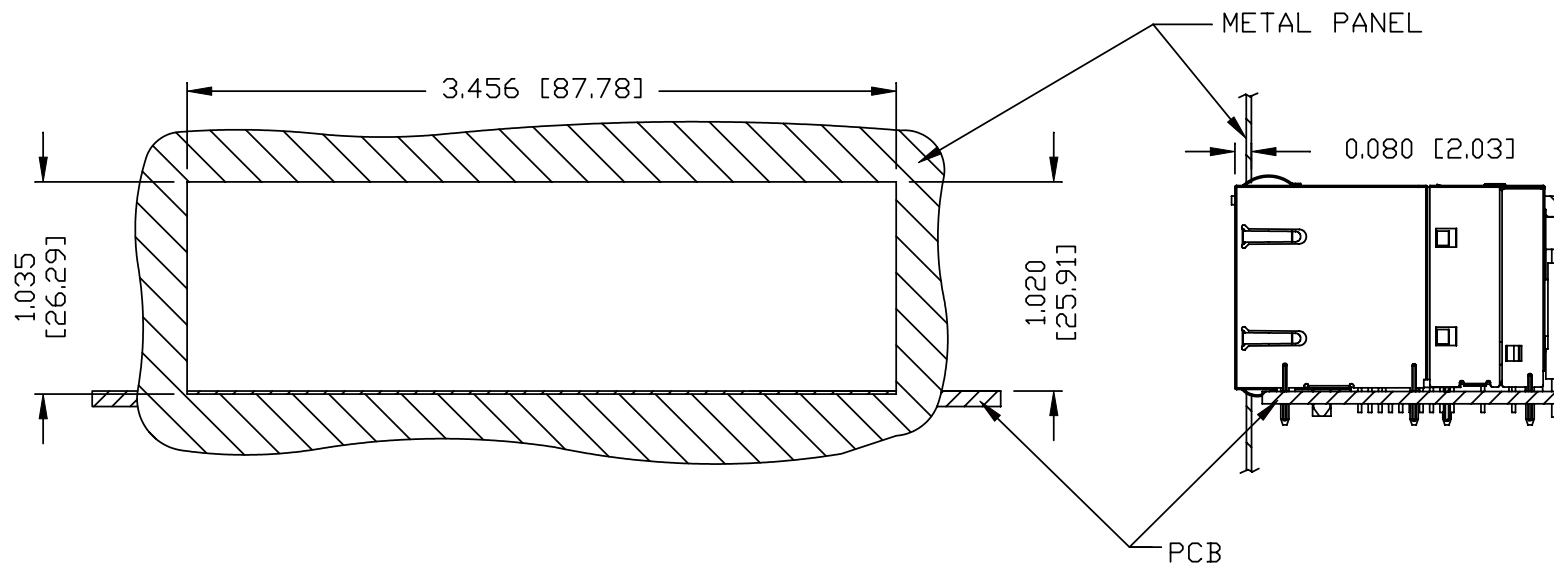
ORIGINATED BY	DATE	TITLE	PART NO. / DRAWING NO.	STANDARD DIM. TOL. IN INCH	[] METRIC DIM. AS REFERENCE
CHEN BILL	04-13-09	2X6 gigabit MagJack® PoE+,24mA	08732X6RHJ-F	.X	UNIT : INCH [mm] REV. : A
DRAWN BY	DATE	0873-2X6R-HJ-F	FILE NAME	.XX	SCALE : N/A SIZE : A4
LIU QIN	04-13-09		08732X6RHJ-F_A.DWG	.XXX ±0.004	PAGE : 5



THE INFORMATION CONTAINED HEREIN IS CONSIDERED "PROPRIETARY" TO BEL FUSE INC. AND SHALL NOT BE COPIED, REPRODUCED OR DISCLOSED WITHOUT THE WRITTEN APPROVAL OF BEL FUSE INC.



SUGGESTED PANEL OPENING



NOTE:

THE DISTANCE OF PANEL INSIDE SURFACE RELATIVE TO FRONT SURFACE OF PART IS ONLY A SUGGESTION. IN CASE THIS DISTANCE IS DIFFERENT, THE REQUIRED PANEL OPENING DIMENSIONS CHANGE ACCORDINGLY.

PACKING INFORMATION

PACKING TRAY : 0200-9999-B7 (TOP)

0200-9999-G6 (BOTTOM)

PACKING QUANTITY : 15 PCS FINISHED GOODS PER TRAY.

5 TRAYS (75 PCS FINISHED GOODS) PER CARTON BOX.

NOTE : CARDBOARDS ARE PLACED BETWEEN LAYERS OF PACKING TRAY INSIDE CARTON BOX.

(INCLUDE THE UPPERMOST AND LOWERMOST TRAY)

ORIGINATED BY CHEN BILL	DATE 04-13-09	TITLE 2X6 gigabit MagJack® PoE+,24mA	PART NO. / DRAWING NO. 08732X6RHJ-F	STANDARD DIM. TOL. IN INCH	[] METRIC DIM. AS REFERENCE
	DRAWN BY LIU QIN		DATE 04-13-09	FILE NAME 08732X6RHJ-F_A.DWG	.X .XX .XXX ±0.004

