

THE INFORMATION CONTAINED HEREIN IS CONSIDERED "PROPRIETARY" TO BEL FUSE INC. AND SHALL NOT BE COPIED, REPRODUCED OR DISCLOSED WITHOUT THE WRITTEN APPROVAL OF BEL FUSE INC.

RoHS
2002/95/EC



BI-COLOR LED POLARITY

| PIN | GREEN | ORANGE |
|-----|-------|--------|
| 11 | - | + |
| 12 | + | - |

ELECTRICAL CHARACTERISTICS @ 25°C

URNS RATIO

| | |
|-----|---------------|
| TP1 | 1CT : 1CT ±2% |
| TP2 | 1CT : 1CT ±2% |
| TP3 | 1CT : 1CT ±2% |
| TP4 | 1CT : 1CT ±2% |

DCL @ 100kHz/100mVRMS

8mA DC BIAS 350µH MIN.

INS. LOSS

| | |
|------------------|-------------|
| 0.1MHz TO 1MHz | -1.1 dB MAX |
| 1MHz TO 65MHz | -0.5 dB MAX |
| 65MHz TO 100MHz | -0.8 dB MAX |
| 100MHz TO 125MHz | -1.2 dB MAX |

RET. LOSS (MIN)

| | |
|--------------|-----------------------|
| 0.5MHz-40MHz | -18 dB |
| 40MHz-100MHz | -12+20LOG(f/80MHz) dB |

CM TO CM REJ

100kHz - 100MHz -30 dB MIN

CM TO DM REJ

100kHz - 100MHz -35 dB MIN

HIPOT (Isolation Voltage):

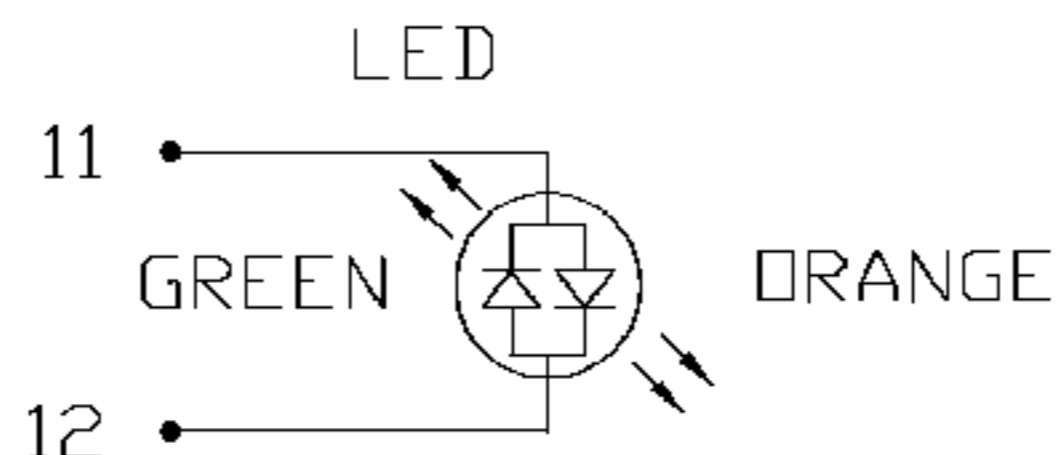
1500 Vrms

100% OF PRODUCTION TESTED TO COMPLY WITH IEEE 802.3 ISOLATION REQUIREMENTS.

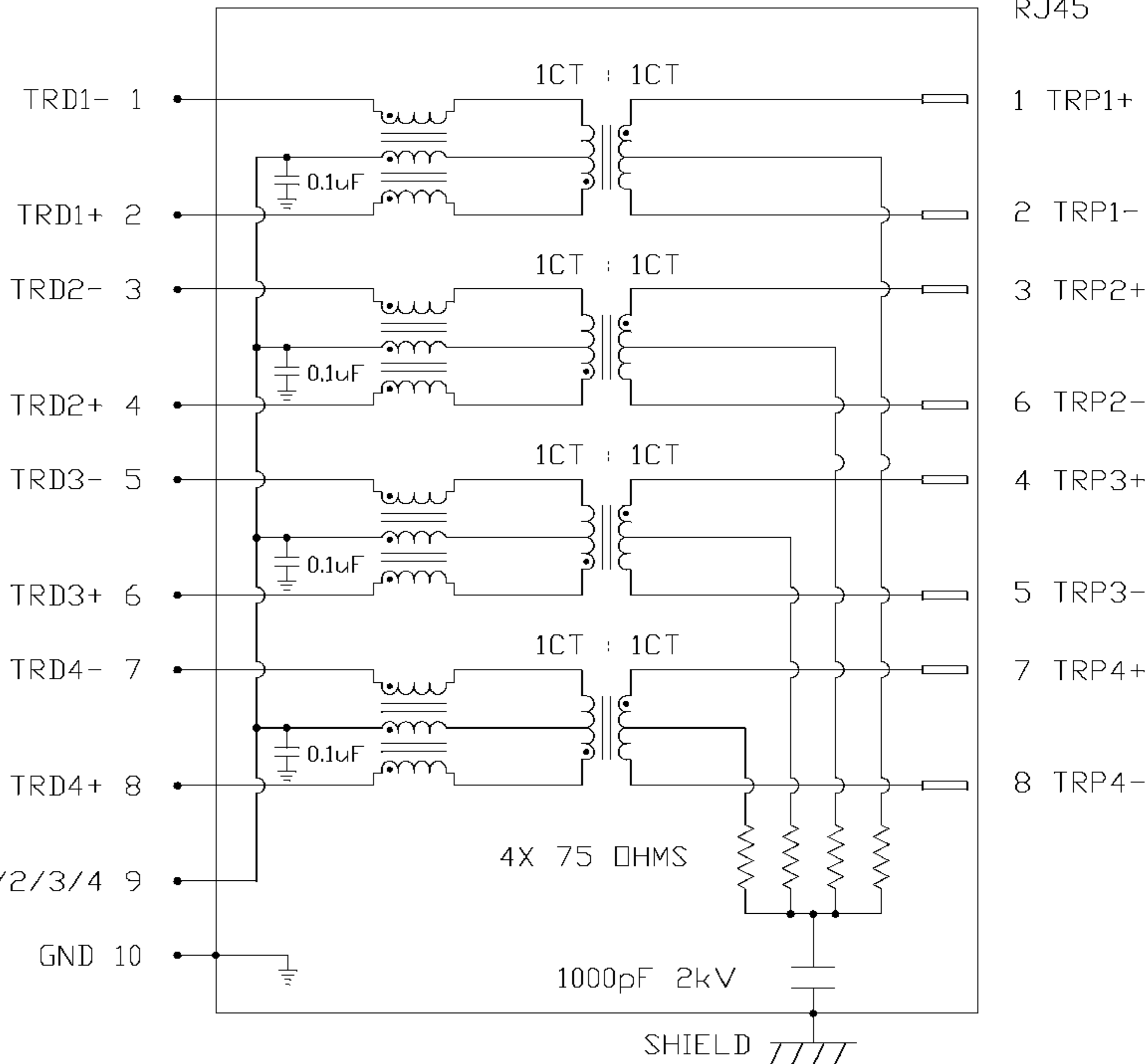
LED

VF (FORWARD VOLTAGE) IF=20mA GREEN 2.2V TYP.
ORANGE 2.0V TYP.

λD (DOMINANT WAVELENGTH) IF=20mA GREEN 565nm TYP.
ORANGE 610nm TYP.



SCHEMATIC



RJ45

1 TRP1+

2 TRP1-

3 TRP2+

6 TRP2-

4 TRP3+

5 TRP3-

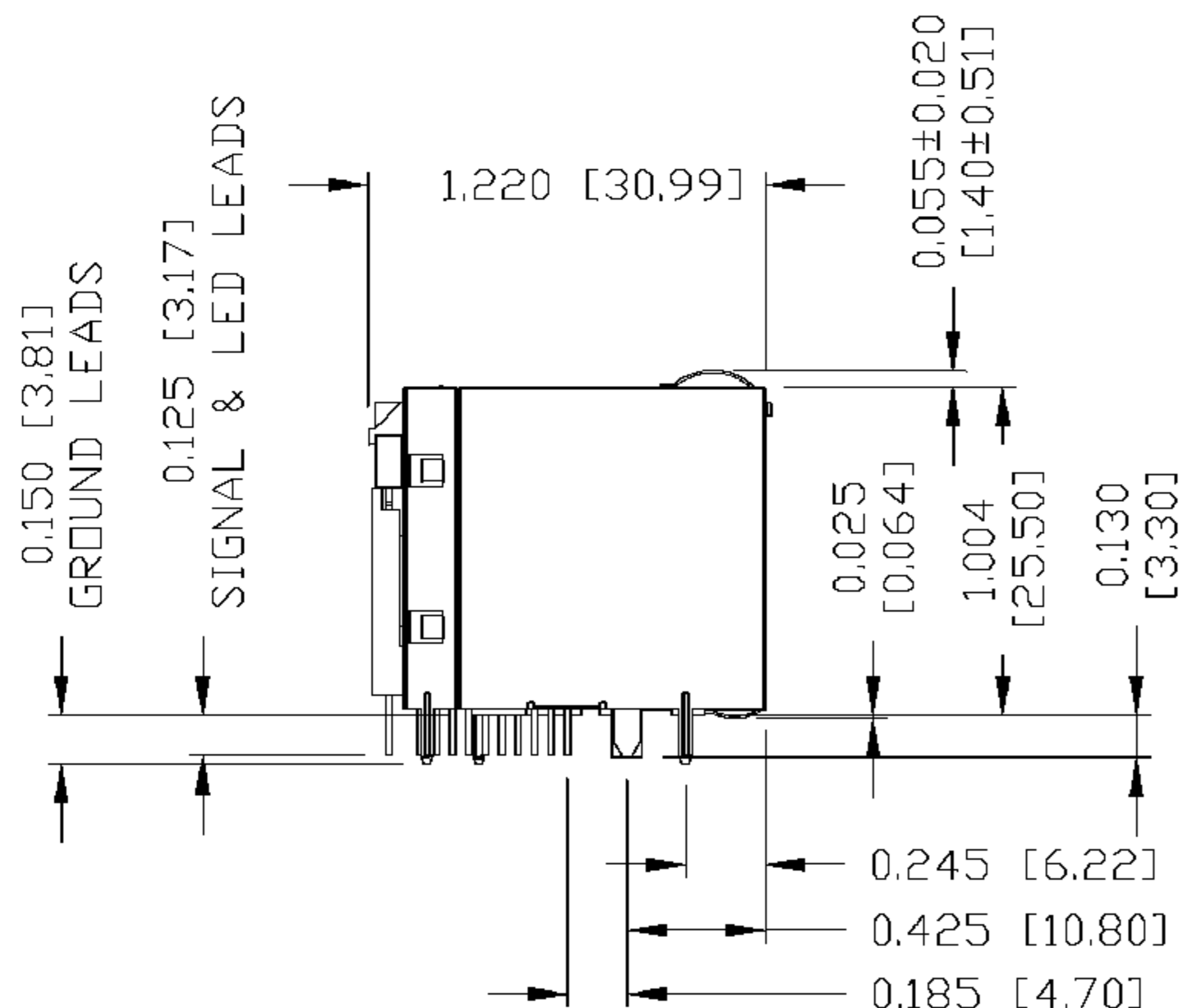
7 TRP4+

8 TRP4-

| ORIGINATED BY | DATE | TITLE | PART NO. / DRAWING NO. | STANDARD DIM. TOL. IN INCH | [] METRIC DIM. AS REFERENCE |
|---------------|----------|---|------------------------|----------------------------|------------------------------|
| WCCHUNG | 08-28-07 | 2X6 gigabit MagJack® (8 Cores, with LED) 0863-2X6C-54-F | 08632X6C54-F | .X | UNIT : INCH [mm] REV. : A |
| DRAWN BY | DATE | | FILE NAME | .XX | SCALE : N/A SIZE : A4 |
| WEI DE LEE | 08-28-07 | | 08632X6C54-F_A.DWG | .XXX | PAGE : 2 |

THE INFORMATION CONTAINED HEREIN IS CONSIDERED "PROPRIETARY" TO BEL FUSE INC. AND SHALL NOT BE COPIED, REPRODUCED OR DISCLOSED WITHOUT THE WRITTEN APPROVAL OF BEL FUSE INC.

RoHS
2002/95/EC



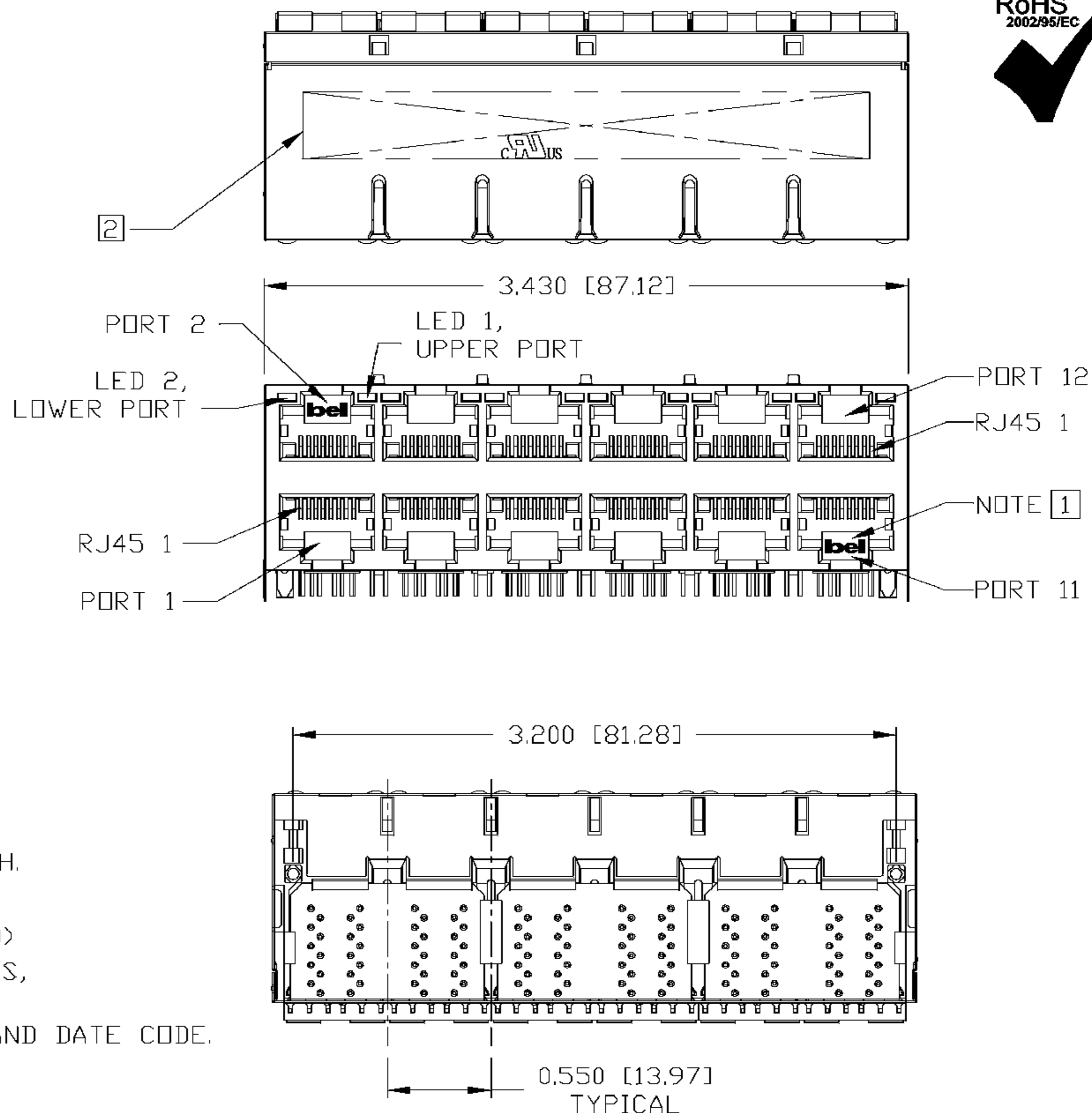
NOTES:

PLASTIC HOUSING: THERMOPLASTIC PBT
 FLAMMABILITY RATING UL 94V-0
 CONTACT PLATING: 50 MICRO-INCH HARD GOLD PLATING
 OUTPUT PINS: TIN-COATED COPPER WIRE, DIA 0.018 INCH.
 METAL SHIELD: NICKEL PLATED ON COPPER ALLOY.
 (ALL GROUND LEADS ARE SOLDER DIPPED)

- [1] JACK CAVITY CONFORMS TO FCC RULES AND REGULATIONS, PART 68 SUBPART F.
- [2] MARK PART WITH MFG LOGO, MFG NAME, PART NUMBER, AND DATE CODE.

c UL RECOGNIZED - FILE #E196366 AND E169987.

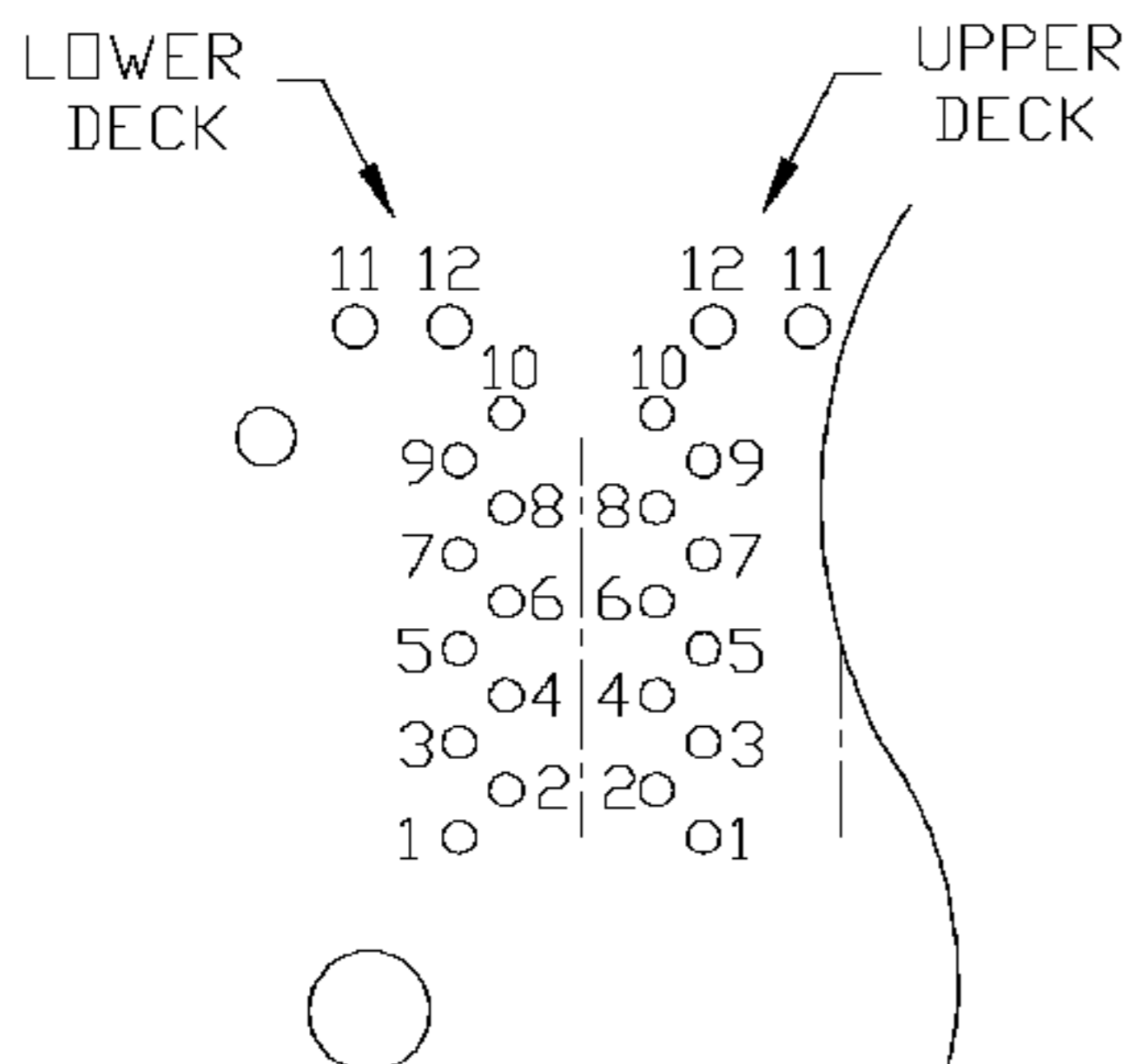
3. RoHS COMPLIANCE, PER EU DIRECTIVE 2002/95/EC.



| | | | | | | | |
|--------------------------|------------------|--|--|-------------------------------|------------------------------|----------|---|
| ORIGINATED BY LIU QIN | DATE 08-28-07 | TITLE 2X6 gigabit MagJack® (8 Cores, with LED) 0863-2X6C-54-F | PART NO. / DRAWING NO. 08632X6C54-F | STANDARD DIM. TOL. IN INCH | [] METRIC DIM. AS REFERENCE | | COMPONENTS FOR A CONNECTED PLANET |
| DRAWN BY CHEN TING | DATE 08-28-07 | | FILE NAME 08632X6C54-F_A.DWG | .X | UNIT : INCH [mm] | REV. : A | |
| | | | .XX | SCALE : N/A | SIZE : A4 | | |
| | | | .XXX ±0.010 | | PAGE : 3 | | |

THE INFORMATION CONTAINED HEREIN IS CONSIDERED "PROPRIETARY" TO BEL FUSE INC. AND SHALL NOT BE COPIED, REPRODUCED OR DISCLOSED WITHOUT THE WRITTEN APPROVAL OF BEL FUSE INC.

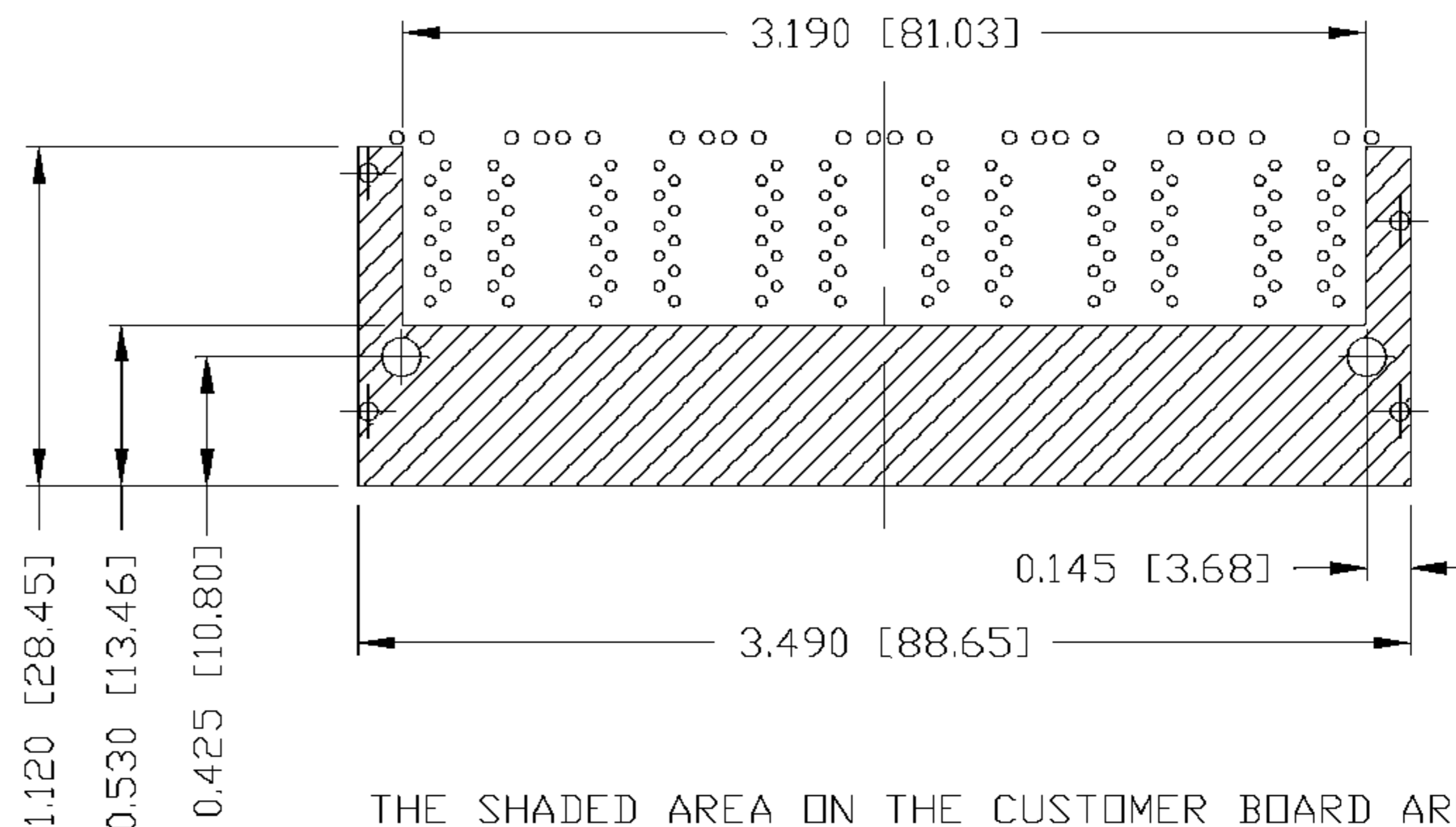
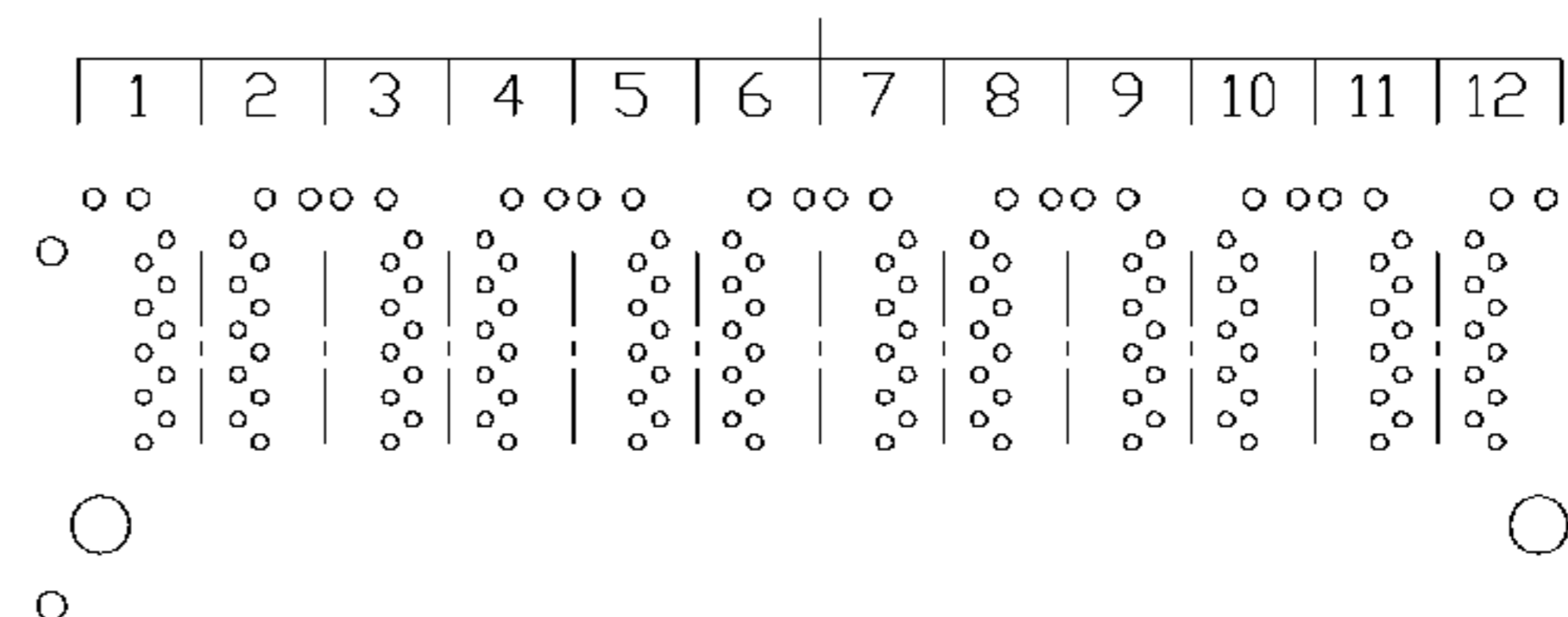
RoHS
2002/95/EC



PIN-OUT INFORMATION
(COMPONENT SIDE VIEW)

| | |
|----|-----------------|
| 12 | GRN (+)/ORG (-) |
| 11 | GRN (-)/ORG (+) |
| 10 | GND |
| 9 | TRCT1/2/3/4 |
| 8 | TRD 4+ |
| 7 | TRD 4- |
| 6 | TRD 3+ |
| 5 | TRD 3- |
| 4 | TRD 2+ |
| 3 | TRD 2- |
| 2 | TRD 1+ |
| 1 | TRD 1- |

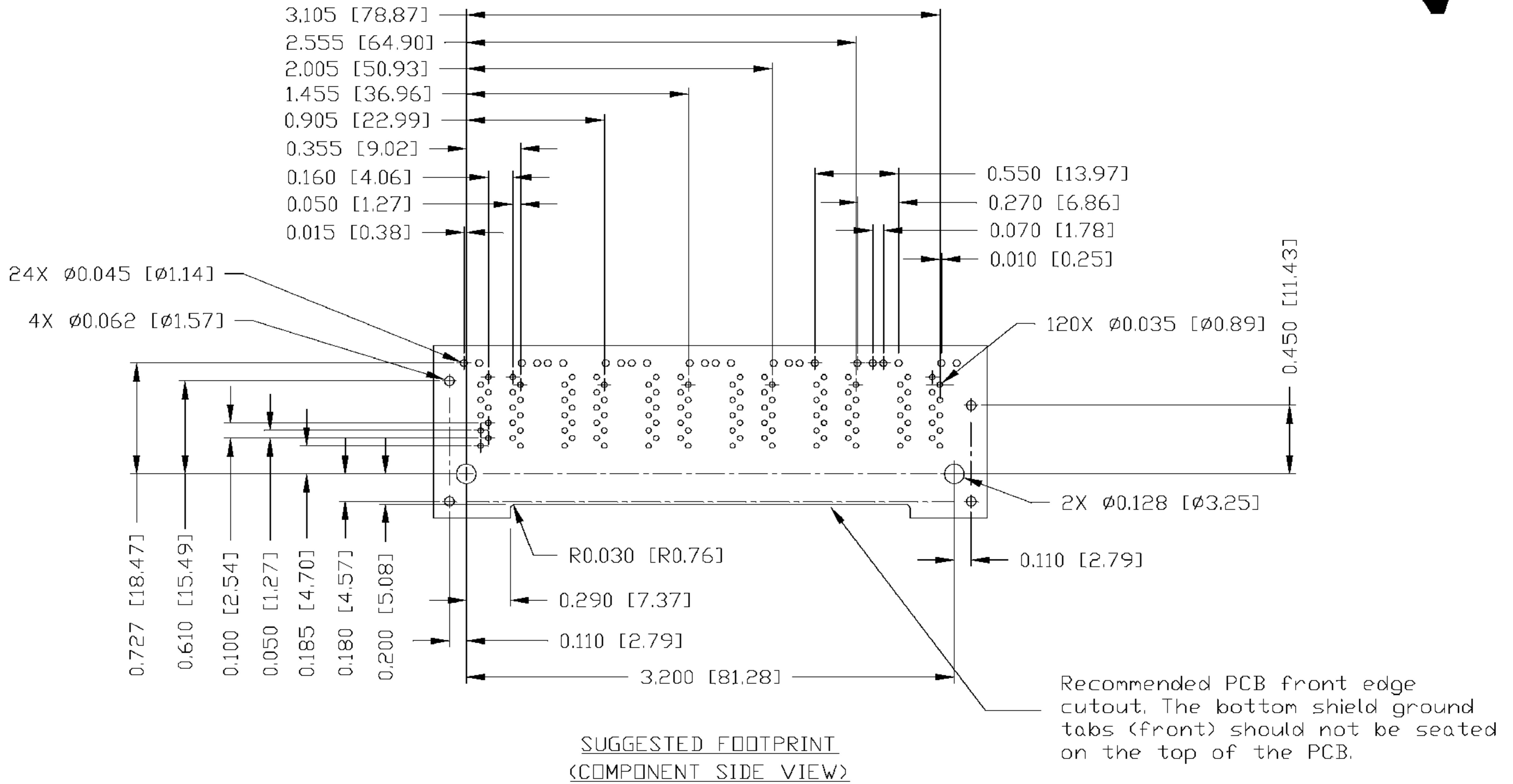
PORT ASSIGNMENT
(COMPONENT SIDE VIEW)



THE SHADED AREA ON THE CUSTOMER BOARD ARE RECOMMENDED TO BE CLEAR OFF ANY VIA HOLE OR COMPONENT PAD.

| | | | | | | |
|--------------------------|------------------|--|--|-------------------------------|------------------------------|---|
| ORIGINATED BY LIU QIN | DATE 08-28-07 | TITLE 2X6 gigabit MagJack® (8 Cores, with LED) 0863-2X6C-54-F | PART NO. / DRAWING NO. 08632X6C54-F | STANDARD DIM. TOL. IN INCH | [] METRIC DIM. AS REFERENCE | COMPONENTS FOR A CONNECTED PLANET |
| DRAWN BY CHEN TING | DATE 08-28-07 | | FILE NAME 08632X6C54-F_A.DWG | .X | UNIT : INCH [mm] | |
| | | | .XX | SCALE : N/A | SIZE : A4 | |
| | | | .XXX | ±0.004 | PAGE : 4 | |

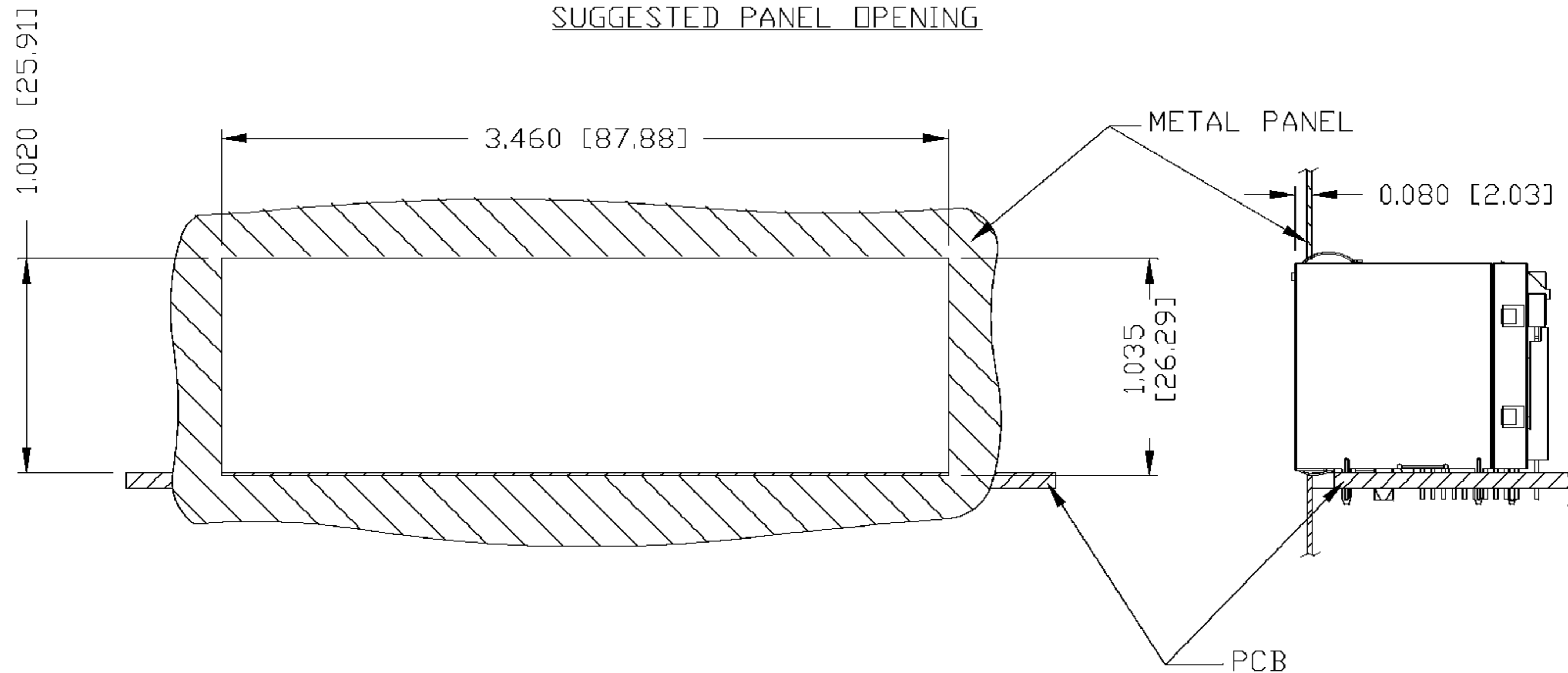
THE INFORMATION CONTAINED HEREIN IS CONSIDERED "PROPRIETARY" TO BEL FUSE INC. AND SHALL NOT BE COPIED, REPRODUCED OR DISCLOSED WITHOUT THE WRITTEN APPROVAL OF BEL FUSE INC.



| | | | | | | |
|--------------------------|------------------|--|--|-------------------------------|------------------------------|------------------|
| ORIGINATED BY LIU QIN | DATE 08-28-07 | TITLE 2X6 gigabit MagJack® (8 Cores, with LED) 0863-2X6C-54-F | PART NO. / DRAWING NO. 08632X6C54-F | STANDARD DIM. TOL. IN INCH | [] METRIC DIM. AS REFERENCE | |
| DRAWN BY CHEN TING | DATE 08-28-07 | | FILE NAME 08632X6C54-F_A.DWG | .X .XX .XXX | ±0.004 | UNIT : INCH [mm] |
| | | | | | SCALE : N/A | SIZE : A4 |
| | | | | | | PAGE : 5 |



THE INFORMATION CONTAINED HEREIN IS CONSIDERED "PROPRIETARY" TO BEL FUSE INC. AND SHALL NOT BE COPIED, REPRODUCED OR DISCLOSED WITHOUT THE WRITTEN APPROVAL OF BEL FUSE INC.



NOTES:

THE DISTANCE OF PANEL INSIDE SURFACE RELATIVE TO FRONT SURFACE OF PART IS ONLY A SUGGESTION. IN CASE THIS DISTANCE IS DIFFERENT, THE REQUIRED PANEL OPENING DIMENSIONS CHANGE ACCORDINGLY.

PACKING INFORMATION

PACKING TRAY : 0200-9999-A9 (TOP)

0200-9999-B6 (BOTTOM)

PACKING QUANTITY : 15 PCS FINISHED GOODS PER TRAY

7 TRAYS (105 PCS FINISHED GOODS) PER CARTON BOX

NOTE : CARDBOARDS ARE PLACED BETWEEN LAYERS OF PACKING TRAY INSIDE CARTON BOX (INCLUDE THE UPPERMOST AND LOWERMOST TRAY)

| | | | | | | |
|--------------------------|-----------------------|--|--|---------------------------------|------------------------------|--------|
| ORIGINATED BY LIU QIN | DATE 08-28-07 | TITLE 2X6 gigabit MagJack® (8 Cores, with LED) 0863-2X6C-54-F | PART NO. / DRAWING NO. 08632X6C54-F | STANDARD DIM. TOL. IN INCH | [] METRIC DIM. AS REFERENCE | |
| | DRAWN BY CHEN TING | | DATE 08-28-07 | FILE NAME 08632X6C54-F_A.DWG | .X .XX .XXX | ±0.004 |

