

THE INFORMATION CONTAINED HEREIN IS CONSIDERED "PROPRIETARY" TO BEL FUSE INC. AND SHALL NOT BE COPIED, REPRODUCED OR DISCLOSED WITHOUT THE WRITTEN APPROVAL OF BEL FUSE INC.

LED POLARITY		
PIN 11	PIN 12	COLOR
-	+	GREEN
+	-	ORANGE

PRELIMINARY



ELECTRICAL CHARACTERISTICS @ 25°C

URNS RATIO 1CT : 1CT ±2%

QCL @ 0.1V, 100KHz

8mA DC BIAS

INSERTION LOSS

100KHz TO 100MHz

RET. LOSS (MIN)

2MHz-30MHz

60MHz-80MHz

D.C. RESISTANCE

(9-8)=(7-6)

(RJ1-RJ2)=(RJ3-RJ6)

INTERWINDING CAPACITANCE

PER CHANNEL (PRI. to SEC.)

XTALK

100KHz TO 100MHz

HIPOT (Isolation Voltage):

100% OF PRODUCTION TESTED TO COMPLY WITH IEEE 802.3 ISOLATION REQUIREMENT

LED

VF (FORWARD VOLTAGE)

λ D (DOMINANT WAVELENGTH)

BALANCED DC LINE CURRENT

350 μH MIN.

-1.5 dB MAX.

-16 dB MIN.

-10 dB MIN.

1.40 ΩHM .

1.00 ΩHM .

40 pF MAX.

-30 dB MIN.

2250 VDC

IF=20mA GREEN 2.2V TYP.

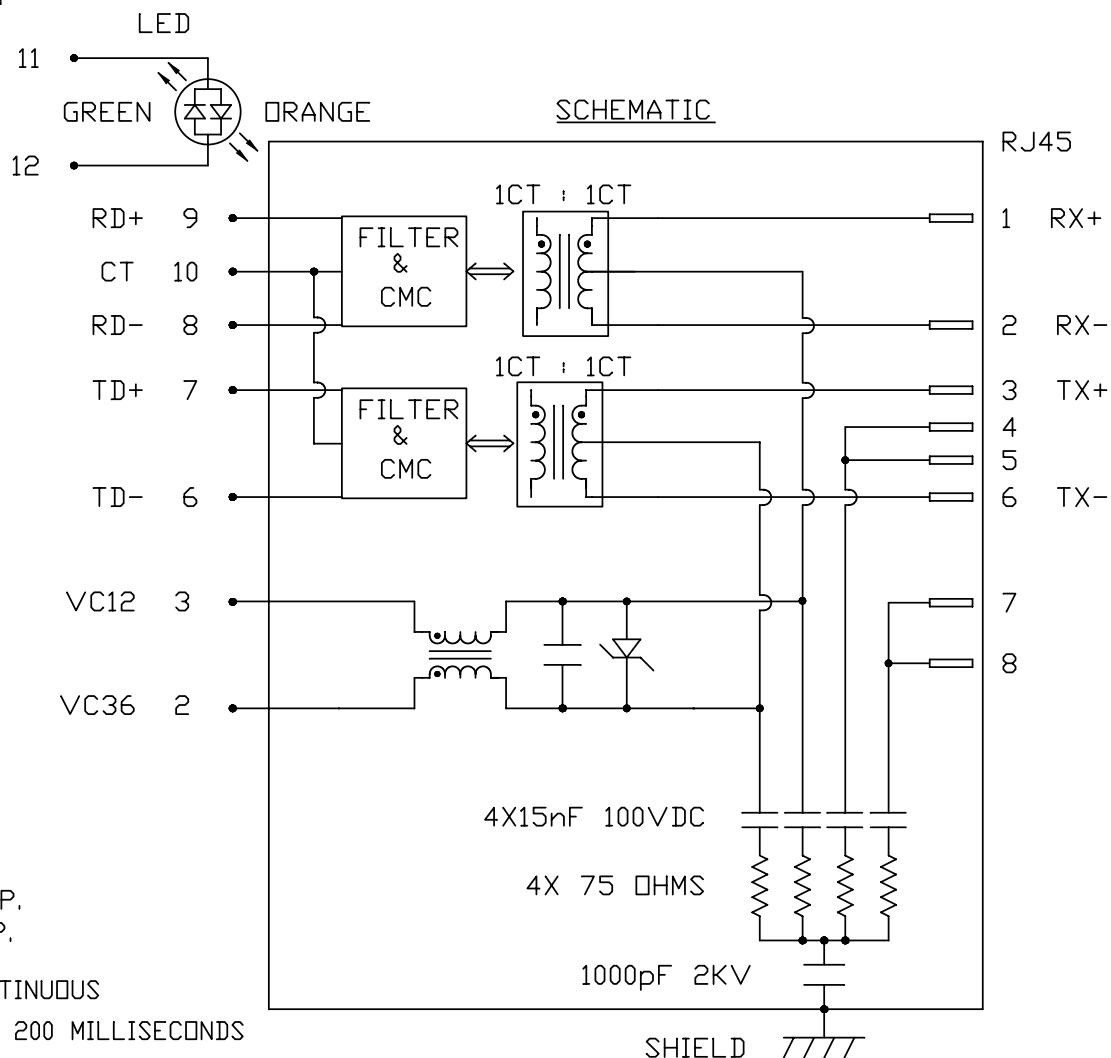
ORANGE 2.0V TYP.

IF=20mA GREEN 565nm TYP.

ORANGE 610nm TYP.

1000 mA MAX. @ 57 VDC CONTINUOUS

1150 mA MAX. @ 57 VDC FOR 200 MILLISECONDS



ORIGINATED BY	DATE
CHOW WANGCHUNG	04-20-09
DRAWN BY	DATE
LEE WEIDE	04-20-09

TITLE
2X4 10/100 MagJack® PoE; With LED PATENTED

PART NO. / DRAWING NO.
0863-2X4R-U1
FILE NAME
0863-2X4R-U1_PB.DWG

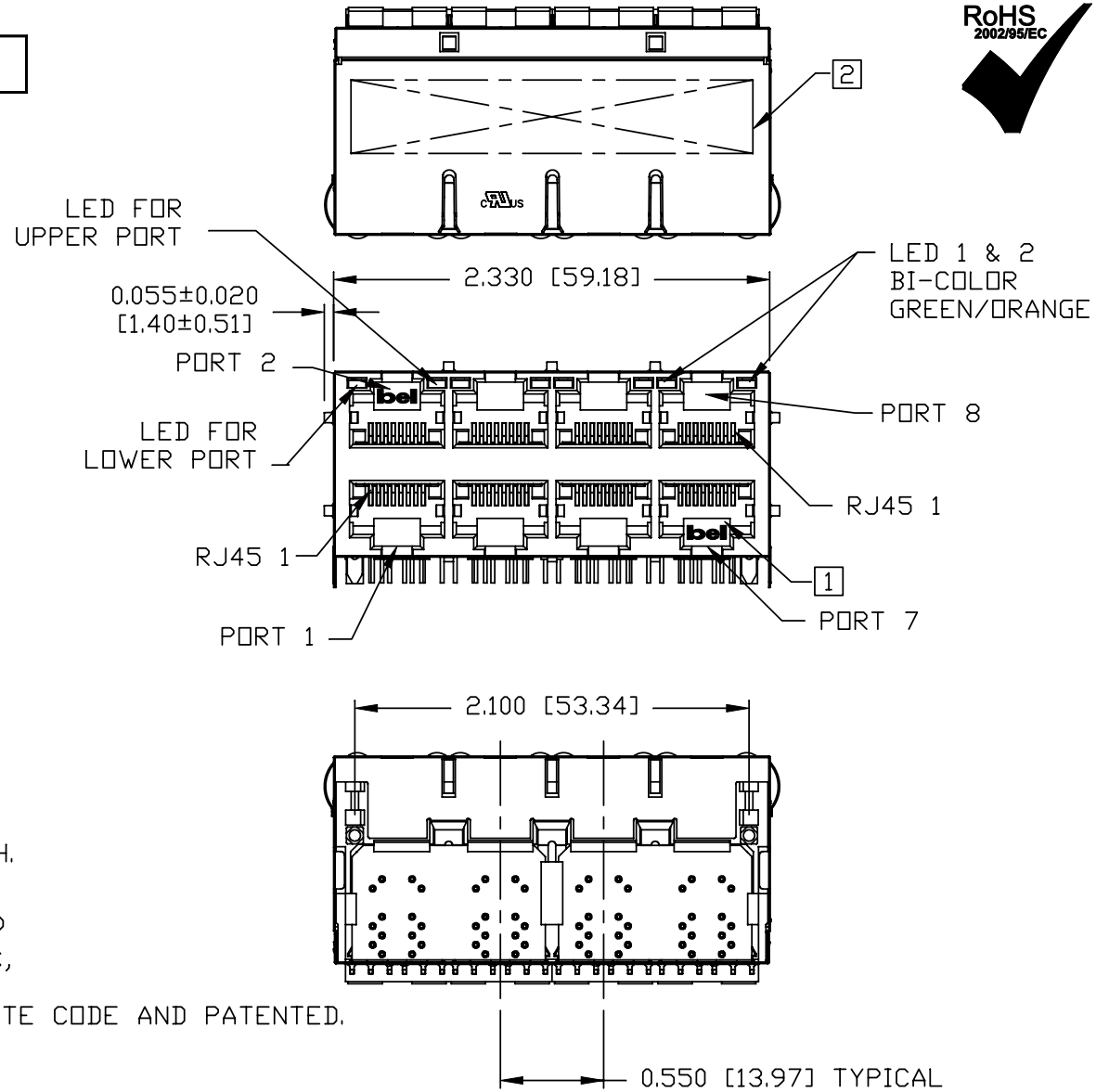
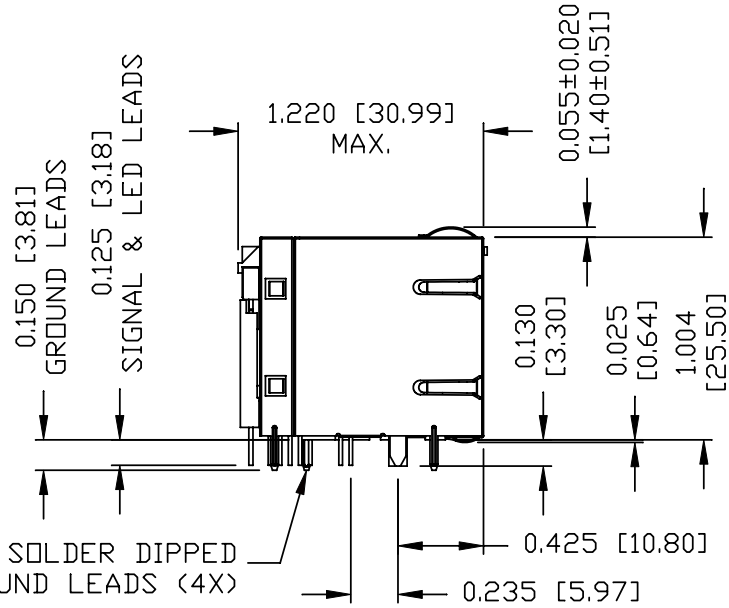
STANDARD DIM. TOL. IN INCH
.X
.XX
.XXX

[ ] METRIC DIM. AS REFERENCE
UNIT : INCH [mm]
SCALE : N/A
REV. : PB
SIZE : A4
PAGE : 2



THE INFORMATION CONTAINED HEREIN IS CONSIDERED "PROPRIETARY" TO BEL FUSE INC. AND SHALL NOT BE COPIED, REPRODUCED OR DISCLOSED WITHOUT THE WRITTEN APPROVAL OF BEL FUSE INC.

PRELIMINARY



NOTES:

- PLASTIC HOUSING: THERMOPLASTIC PBT  
FLAMMABILITY RATING UL 94V-0
- CONTACT PLATING: 50 MICRO-INCH HARD GOLD PLATING
- OUTPUT PINS: TIN-COATED COPPER WIRE, DIA 0.018 INCH.
- METAL SHIELD: NICKEL PLATED ON COPPER ALLOY.  
(ALL GROUND LEADS ARE SOLDER DIPPED)

- [1] JACK CAVITY CONFORMS TO FCC RULES AND REGULATIONS, PART 68 SUBPART F.
- [2] MARK PART WITH MFG LOGO, MFG NAME, PART NUMBER, DATE CODE AND PATENTED.

c UL RECOGNIZED - FILE #E196366 AND E169987.

- 3. RoHS COMPLIANCE, PER EU DIRECTIVE 2002/95/EC
- 4. THE PRODUCT IS PATENTED, THE PATENT NUMBER IS U.S. PAT. 5,736,910.

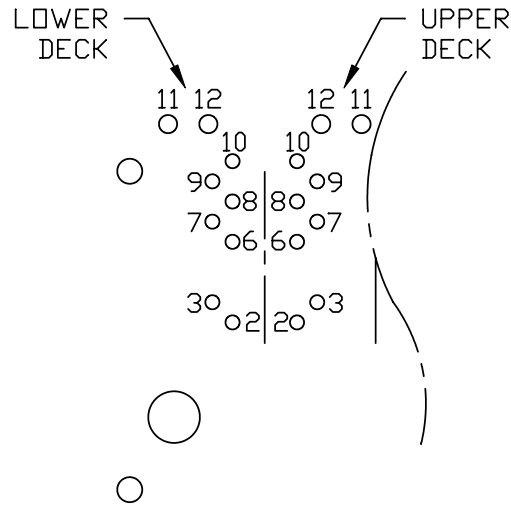
ORIGINATED BY LIU QIN	DATE 04-20-09	TITLE 2X4 10/100 MagJack® PoE; With LED PATENTED	PART NO. / DRAWING NO. 0863-2X4R-U1		STANDARD DIM. TOL. IN INCH		[ ] METRIC DIM. AS REFERENCE		 COMPONENTS FOR A CONNECTED PLANET
			FILE NAME 0863-2X4R-U1_PB.DWG		.X		UNIT : INCH [mm]	REV. : PB	
DRAWN BY XIAN JIAXIN	DATE 04-20-09			.XX		SCALE : N/A	SIZE : A4		
				.XXX	±0.010		PAGE : 3		

THE INFORMATION CONTAINED HEREIN IS CONSIDERED "PROPRIETARY" TO BEL FUSE INC. AND SHALL NOT BE COPIED, REPRODUCED OR DISCLOSED WITHOUT THE WRITTEN APPROVAL OF BEL FUSE INC.

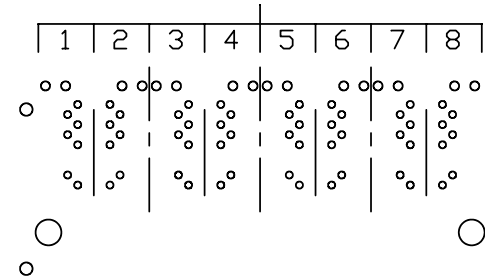
RoHS  
2002/95/EC



PRELIMINARY

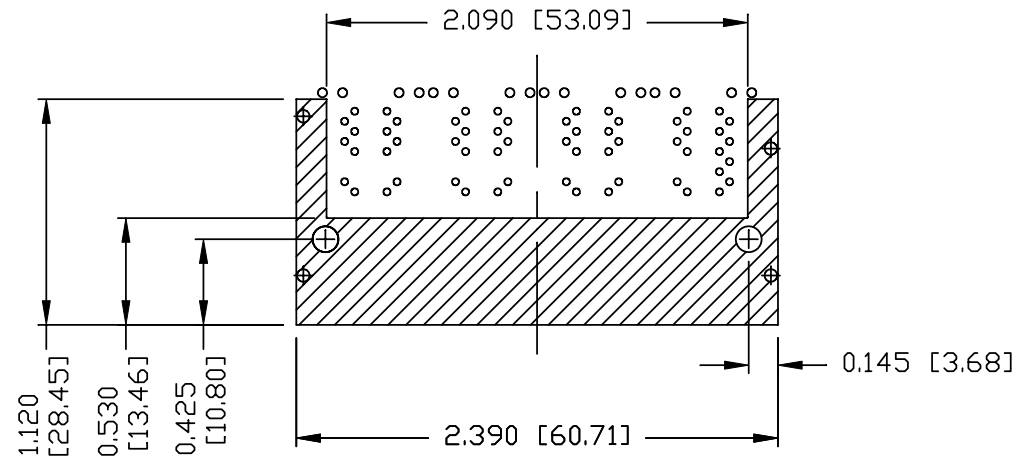


PORT ASSIGNMENT  
(COMPONENT SIDE VIEW)



PIN-OUT INFORMATION  
(COMPONENT SIDE VIEW)

12	GRN (+)/ORG (-)
11	GRN (-)/ORG (+)
10	CT
9	RD+
8	RD-
7	TD+
6	TD-
5	NO PIN
4	NO PIN
3	VC12
2	VC36
1	NO PIN



UNUSED PIN LOCATIONS MUST BE REMOVED TO ENSURE 2KV ISOLATION.

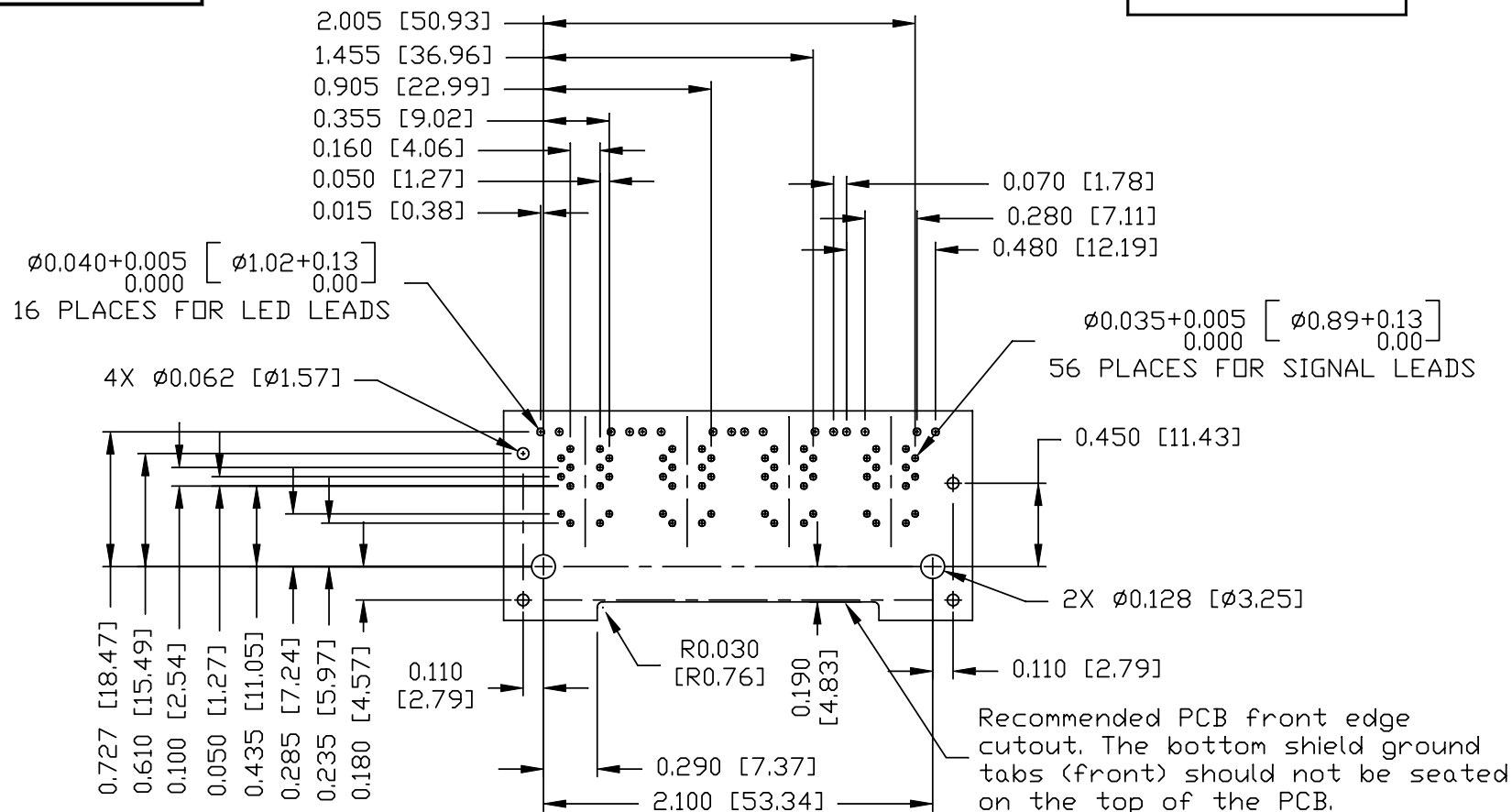
THE SHADED AREA ON THE CUSTOMER BOARD ARE RECOMMENDED TO BE CLEAR OFF ANY VIA HOLE OR COMPONENT PAD.

ORIGINATED BY LIU QIN	DATE 04-20-09	TITLE 2X4 10/100 MagJack® PoE; With LED PATENTED	PART NO. / DRAWING NO. 0863-2X4R-U1		STANDARD DIM. TOL. IN INCH	[ ] METRIC DIM. AS REFERENCE	
			FILE NAME 0863-2X4R-U1_PB.DWG		.X .XX .XXX	UNIT : INCH [mm] SCALE : N/A	REV. : PB SIZE : A4 PAGE : 4
DRAWN BY XIAN JIAXIN	DATE 04-20-09				±0.004		



THE INFORMATION CONTAINED HEREIN IS CONSIDERED "PROPRIETARY" TO BEL FUSE INC. AND SHALL NOT BE COPIED, REPRODUCED OR DISCLOSED WITHOUT THE WRITTEN APPROVAL OF BEL FUSE INC.

PRELIMINARY



SUGGESTED FOOTPRINT  
(COMPONENT SIDE VIEW)

ORIGINATED BY LIU QIN	DATE 04-20-09	TITLE 2X4 10/100 MagJack® PoE; With LED PATENTED	PART NO. / DRAWING NO. 0863-2X4R-U1		STANDARD DIM. TOL. IN INCH		[ ] METRIC DIM. AS REFERENCE	
	DRAWN BY XIAN JIAXIN		DATE 04-20-09	FILE NAME 0863-2X4R-U1_PB.DWG	.X .XX .XXX	±0.004	UNIT : INCH [mm] SCALE : N/A	REV. : PB SIZE : A4 PAGE : 5



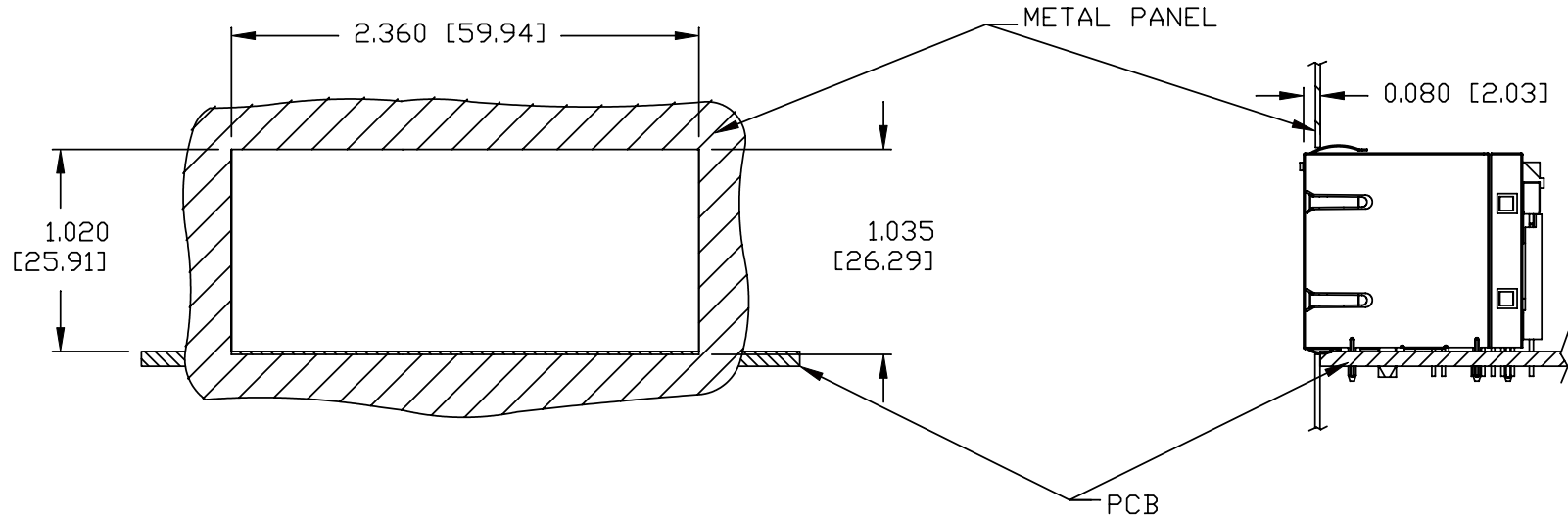
THE INFORMATION CONTAINED HEREIN IS CONSIDERED "PROPRIETARY" TO BEL FUSE INC. AND SHALL NOT BE COPIED, REPRODUCED OR DISCLOSED WITHOUT THE WRITTEN APPROVAL OF BEL FUSE INC.

RoHS  
2002/95/EC



PRELIMINARY

SUGGESTED PANEL OPENING



NOTES:

THE DISTANCE OF PANEL INSIDE SURFACE RELATIVE TO FRONT SURFACE OF PART IS ONLY A SUGGESTION. IN CASE THIS DISTANCE IS DIFFERENT, THE REQUIRED PANEL OPENING DIMENSIONS CHANGE ACCORDINGLY.

PACKING INFORMATION

OR PACKING TRAY : 0200-9999-E7 (TOP)  
0200-9999-E8 (BOTTOM)

PACKING QUANTITY : 20 PCS FINISHED GOODS PER TRAY  
7 TRAYS (140 PCS FINISHED GOODS) PER CARTON BOX

NOTE : CARDBOARDS ARE PLACED BETWEEN LAYERS OF PACKING TRAY INSIDE CARTON BOX  
(INCLUDE THE UPPERMOST AND LOWERMOST TRAY)

ORIGINATED BY	DATE	TITLE	PART NO. / DRAWING NO.	STANDARD DIM. TOL. IN INCH	[ ] METRIC DIM. AS REFERENCE
LIU QIN	04-20-09	2X4 10/100 MagJack® PoE; With LED PATENTED	0863-2X4R-U1	.X	UNIT : INCH [mm] REV. : PB
DRAWN BY	DATE		FILE NAME	.XX	SCALE : N/A SIZE : A4
XIAN JIAXIN	04-20-09		0863-2X4R-U1_PB.DWG	.XXX ±0.004	PAGE : 6

