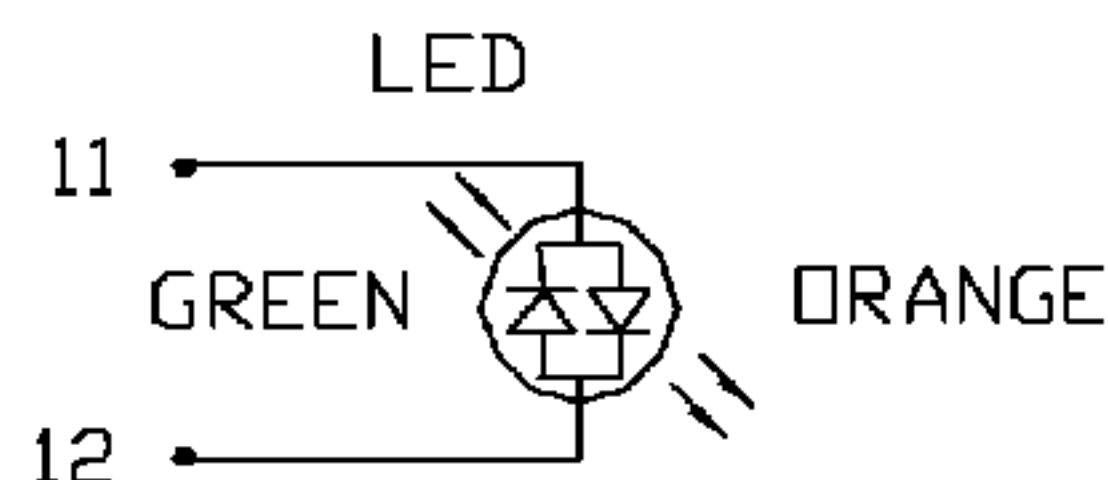


THE INFORMATION CONTAINED HEREIN IS CONSIDERED "PROPRIETARY" TO BEL FUSE INC. AND SHALL NOT BE COPIED, REPRODUCED OR DISCLOSED WITHOUT THE WRITTEN APPROVAL OF BEL FUSE INC.

LED POLARITY		
PIN 11	PIN 12	COLOR
-	+	GREEN
+	-	ORANGE



ELECTRICAL CHARACTERISTICS @ 25°C

URNS RATIO

TP1	1CT : 1CT ±2%
TP2	1CT : 1CT ±2%
TP3	1CT : 1CT ±2%
TP4	1CT : 1CT ±2%

OCL @ 100kHz/100mVRMS

8mA DC BIAS	350µH MIN.
-------------	------------

INS. LOSS

0.1MHz TO 1MHz	-1.1 dB MAX
1MHz TO 65MHz	-0.5 dB MAX
65MHz TO 100MHz	-0.8 dB MAX
100MHz TO 125MHz	-1.2 dB MAX

RET. LOSS (MIN)

0.5MHz-40MHz	-18 dB
40MHz-100MHz	-12+20LOG(f/80MHz) dB

CM TO CM REJ

100kHz - 100MHz	-30 dB MIN
-----------------	------------

CM TO DM REJ

100kHz - 100MHz	-35 dB MIN
-----------------	------------

HIPOT (Isolation Voltage):

1500 Vrms

LED

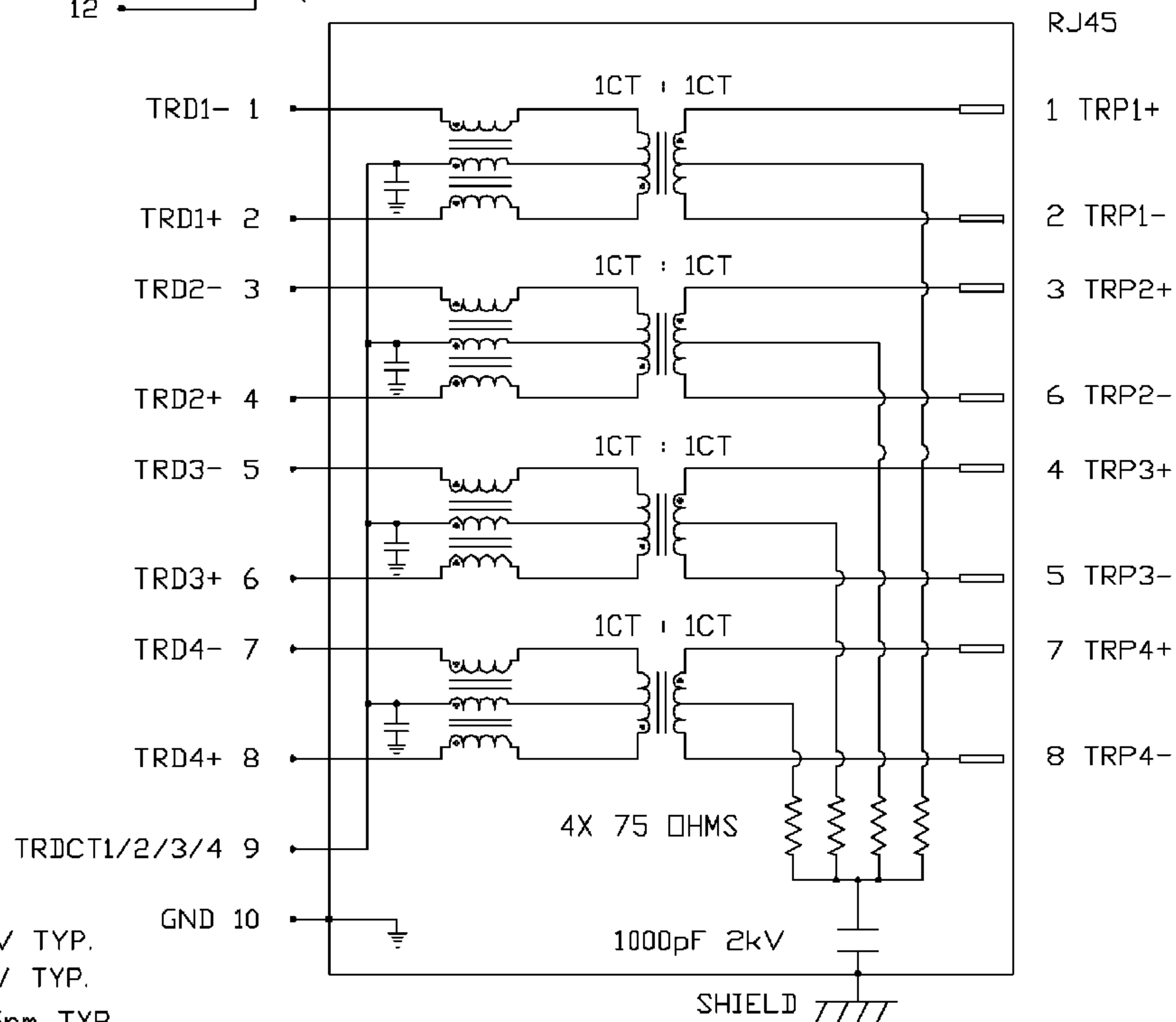
VF (FORWARD VOLTAGE)

IF=20mA GREEN 2.2V TYP.
ORANGE 2.0V TYP.

λD (DOMINANT WAVELENGTH)

IF=20mA GREEN 565nm TYP.
ORANGE 610nm TYP.

SCHEMATIC



DRWN	DATE	TITLE
CHUNG	12-10-04	2X4 gigabit MagJack™ (8 Cores, with LED)
CHKD	DATE	
CHUNG	12-10-04	

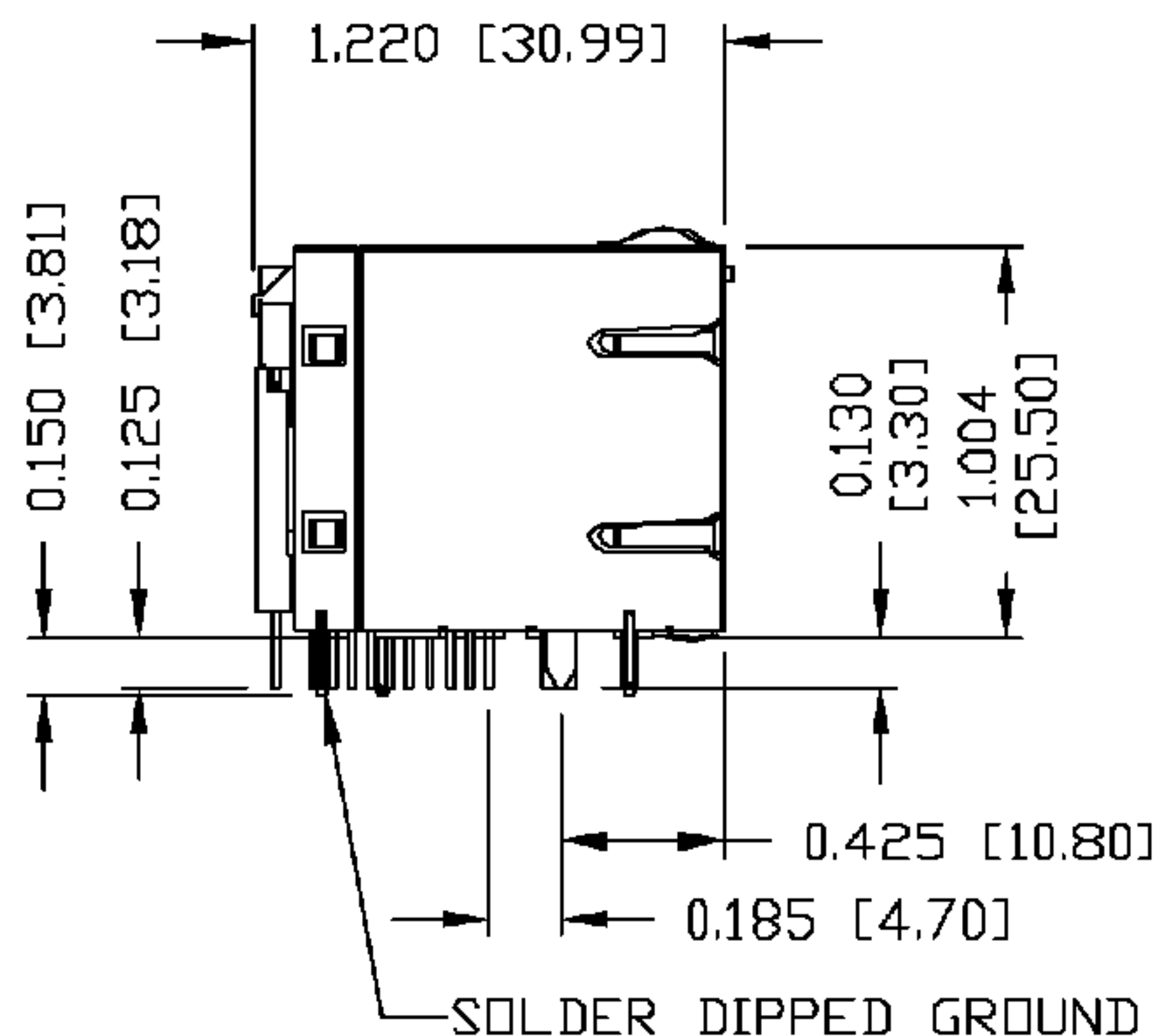
PART NO. / DRAWING NO.	FILE NAME
0863-2X4R-54	08632X4R54B.DWG

STANDARD DIM. TOL. IN INCH	[] METRIC DIM. AS REFERENCE
X	UNIT : INCH [mm] REV. : B
.XX	SCALE : N/A SIZE : A4
.XXX	PAGE : 2

--	--

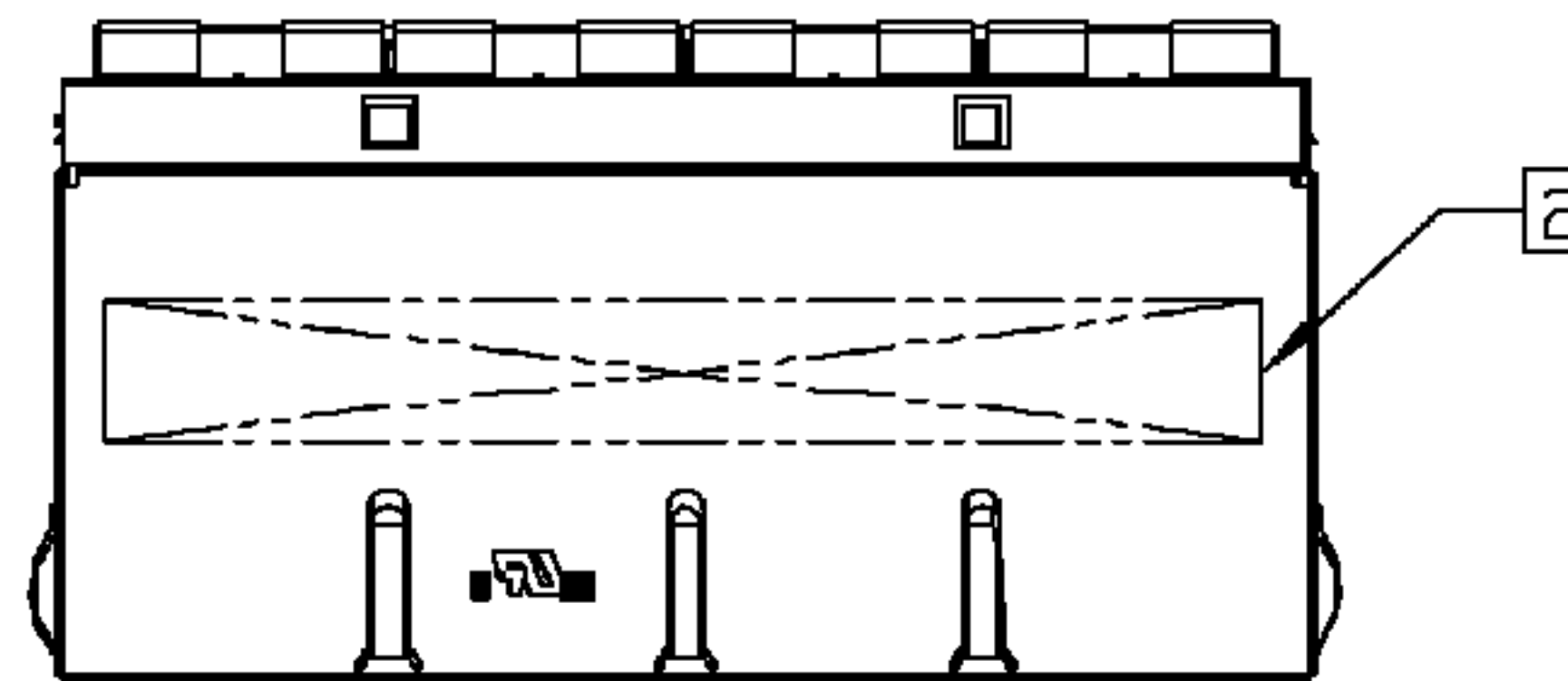


THE INFORMATION CONTAINED HEREIN IS CONSIDERED "PROPRIETARY" TO BEL FUSE INC. AND SHALL NOT BE COPIED, REPRODUCED OR DISCLOSED WITHOUT THE WRITTEN APPROVAL OF BEL FUSE INC.



LED FOR UPPER PORT

LED FOR LOWER PORT



PORT 2

PORT 1

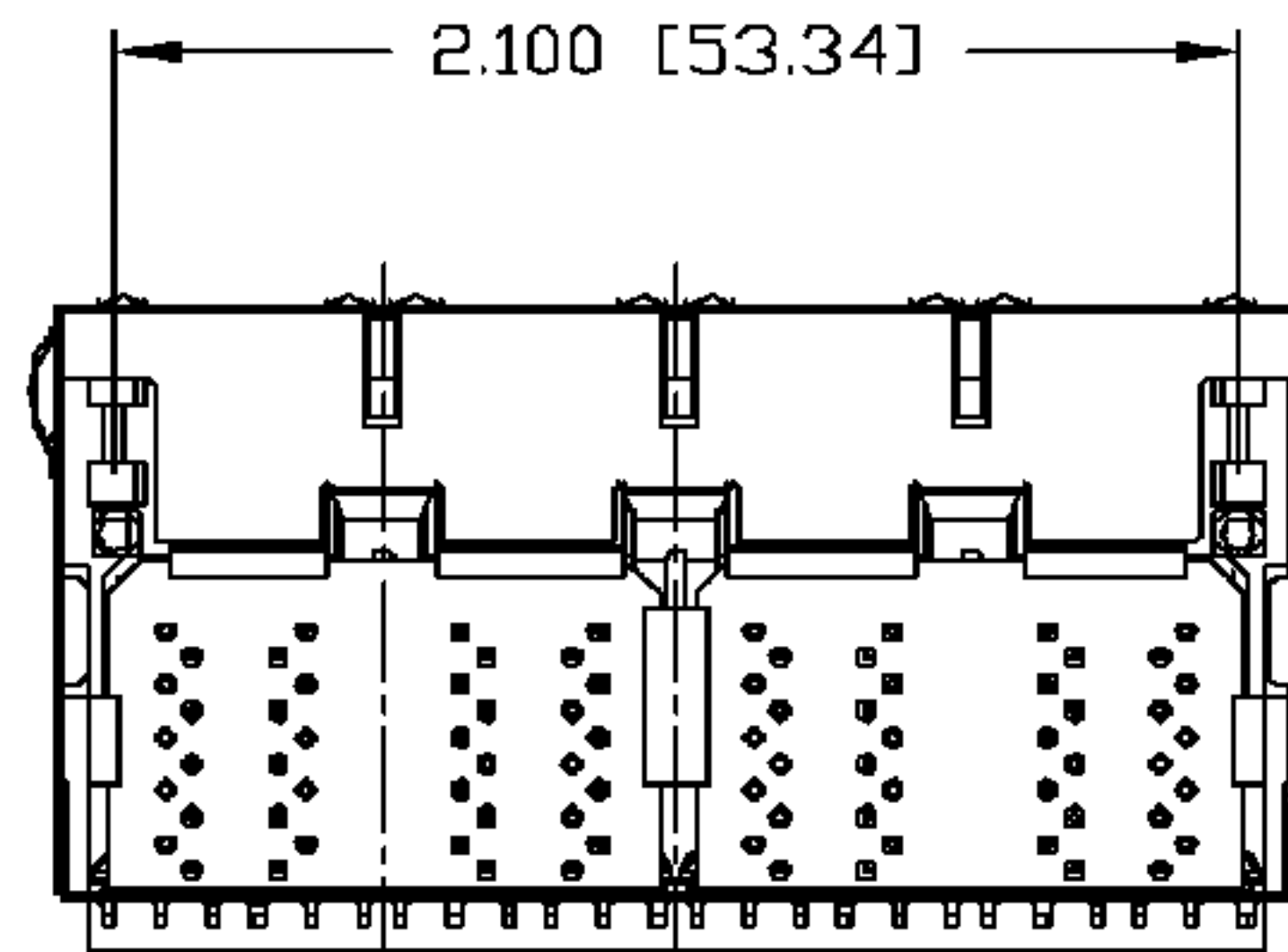
2.330 [59.18]

LED 1 & 2 BI-COLOR GREEN/ORANGE

PORT 8

PIN 1

PORT 7




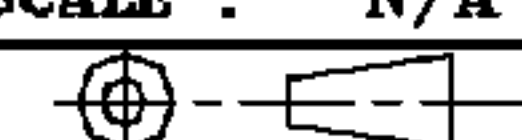
0.550 [13.97] TYPICAL

NOTES:

- PLASTIC HOUSING: THERMOPLASTIC AT FLAMMABILITY RATING UL 94V-0
- CONTACT PLATING: 50 MICRO-INCH HARD GOLD PLATING
- OUTPUT PINS: TIN-COATED COPPER WIRE, DIA 0.018 INCH.
- SOLDERABILITY: PER MIL STD. 202, METHOD 208.
- METAL SHIELD: NICKEL PLATED COPPER ALLOY.
- (ALL GROUND LEADS ARE SOLDER DIPPED)

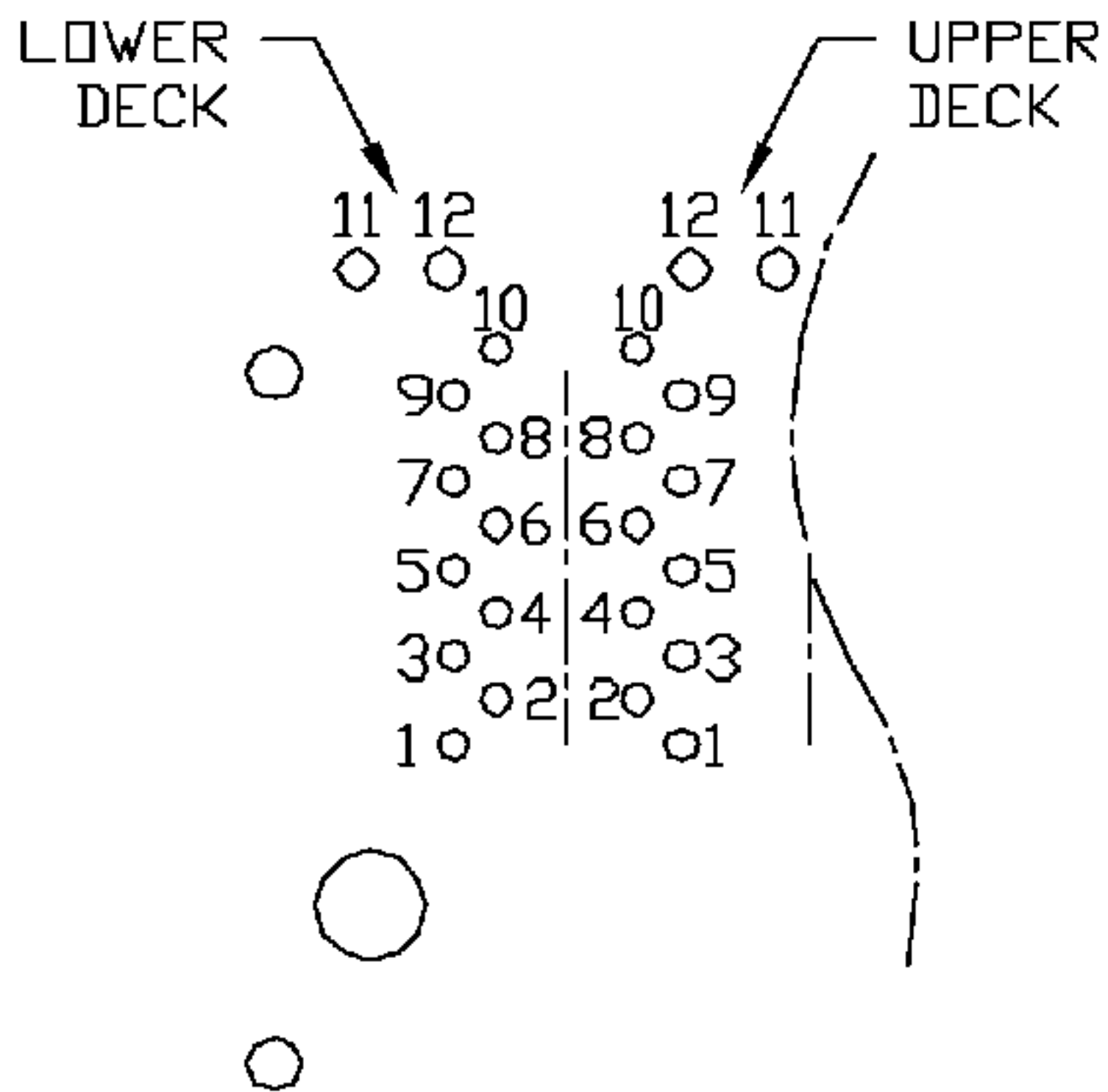
- [1] JACK CAVITY CONFORMS TO FCC RULES AND REGULATIONS, PART 68 SUBPART F.
- [2] MARK PART WITH MFG LOGO MFG, NAME, PART NUMBER, AND DATE CODE

UL US UL RECOGNIZED - FILE #E196366 AND E169987.

STANDARD DIM. TOL. IN INCH		[] METRIC DIM. AS REFERENCE		 COMPONENTS FOR A CONNECTED PLANET
X		UNIT : INCH [mm]	REV. : B	
.XX		SCALE : N/A	SIZE : A4	
.XXX	±0.010		PAGE : 3	

DRWN	DATE	TITLE	PART NO. / DRAWING NO.
MEI	12-10-04	2X4 gigabit MagJack™ (8 Cores, with LED)	0863-2X4R-54
CHKD	DATE		FILE NAME
TAD/KEUNG	12-10-04	08632X4R54B.DWG	

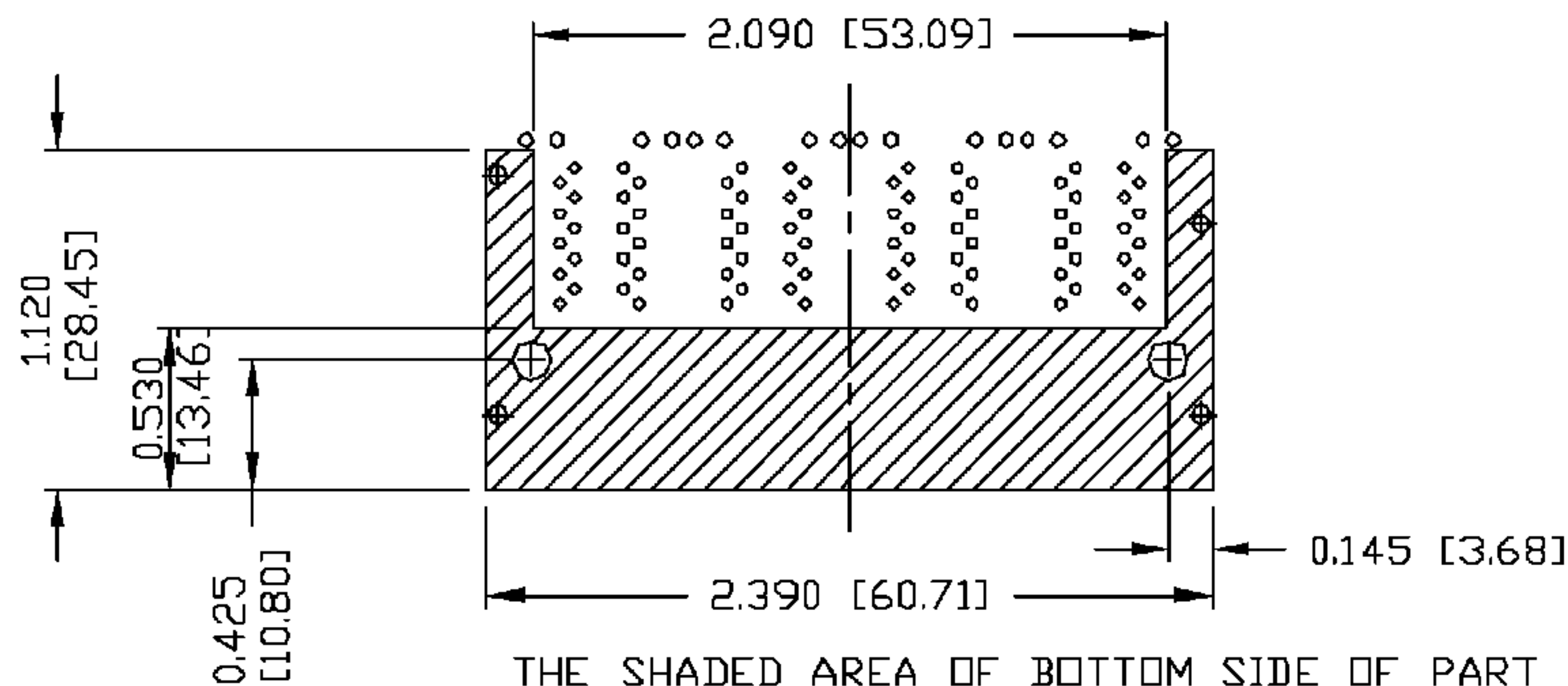
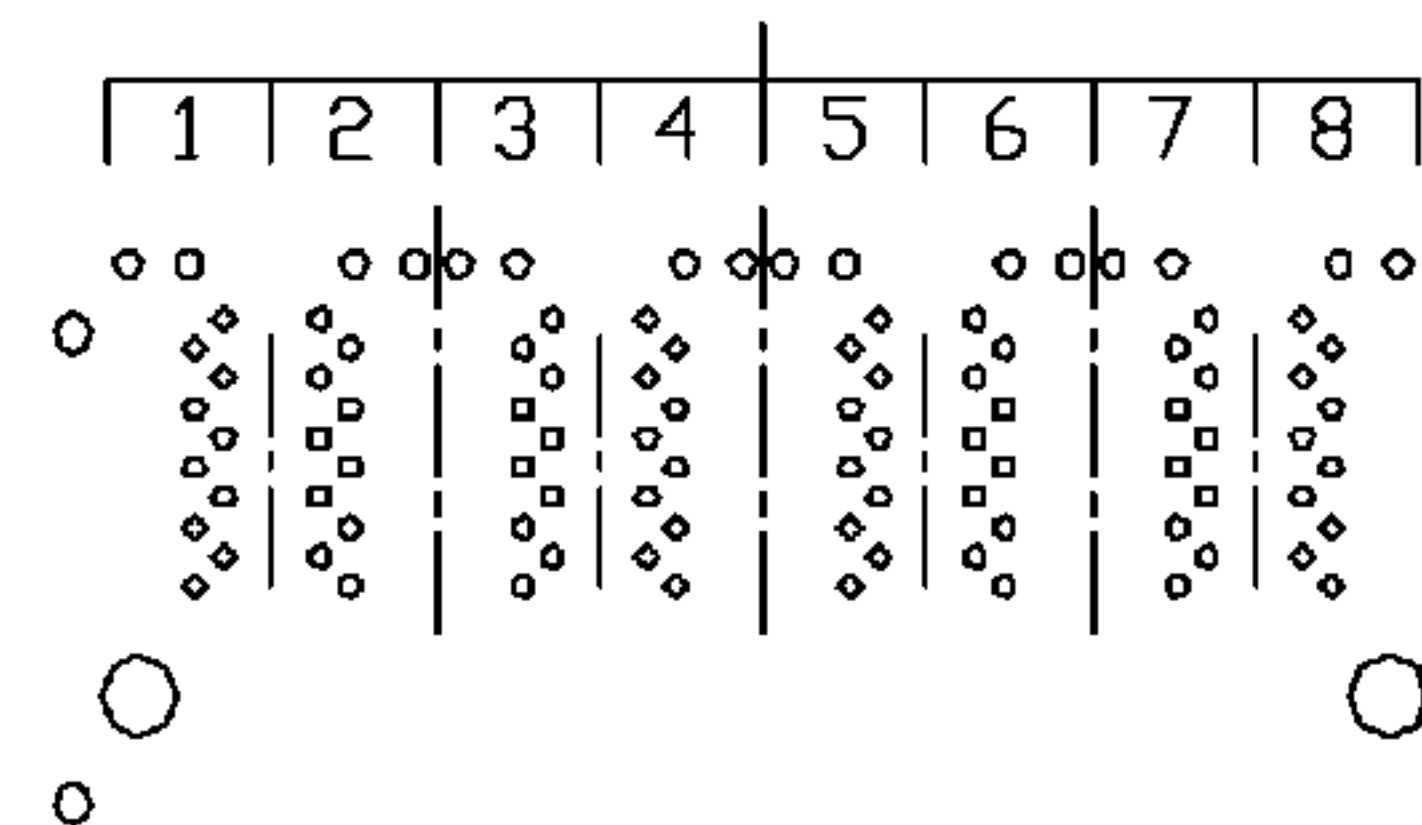
THE INFORMATION CONTAINED HEREIN IS CONSIDERED "PROPRIETARY" TO BEL FUSE INC. AND SHALL NOT BE COPIED, REPRODUCED OR DISCLOSED WITHOUT THE WRITTEN APPROVAL OF BEL FUSE INC.



PIN-OUT INFORMATION
(COMPONENT SIDE VIEW)

12	GRN (+)/ORG (-)
11	GRN (-)/ORG (+)
10	GND
9	TRCT1/2/3/4
8	TRD 4+
7	TRD 4-
6	TRD 3+
5	TRD 3-
4	TRD 2+
3	TRD 2-
2	TRD 1+
1	TRD 1-

PORT ASSIGNMENT
(COMPONENT SIDE VIEW)

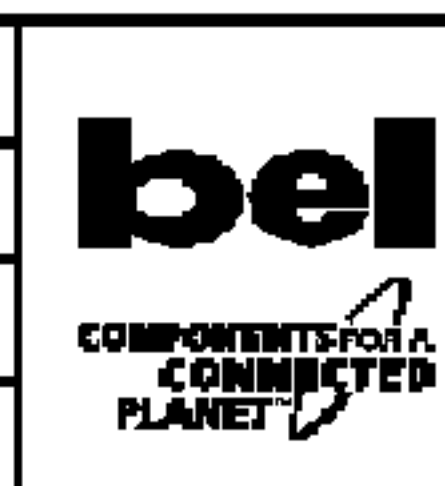


THE SHADED AREA OF BOTTOM SIDE OF PART MAY BE COVERED BY METAL SHIELD.

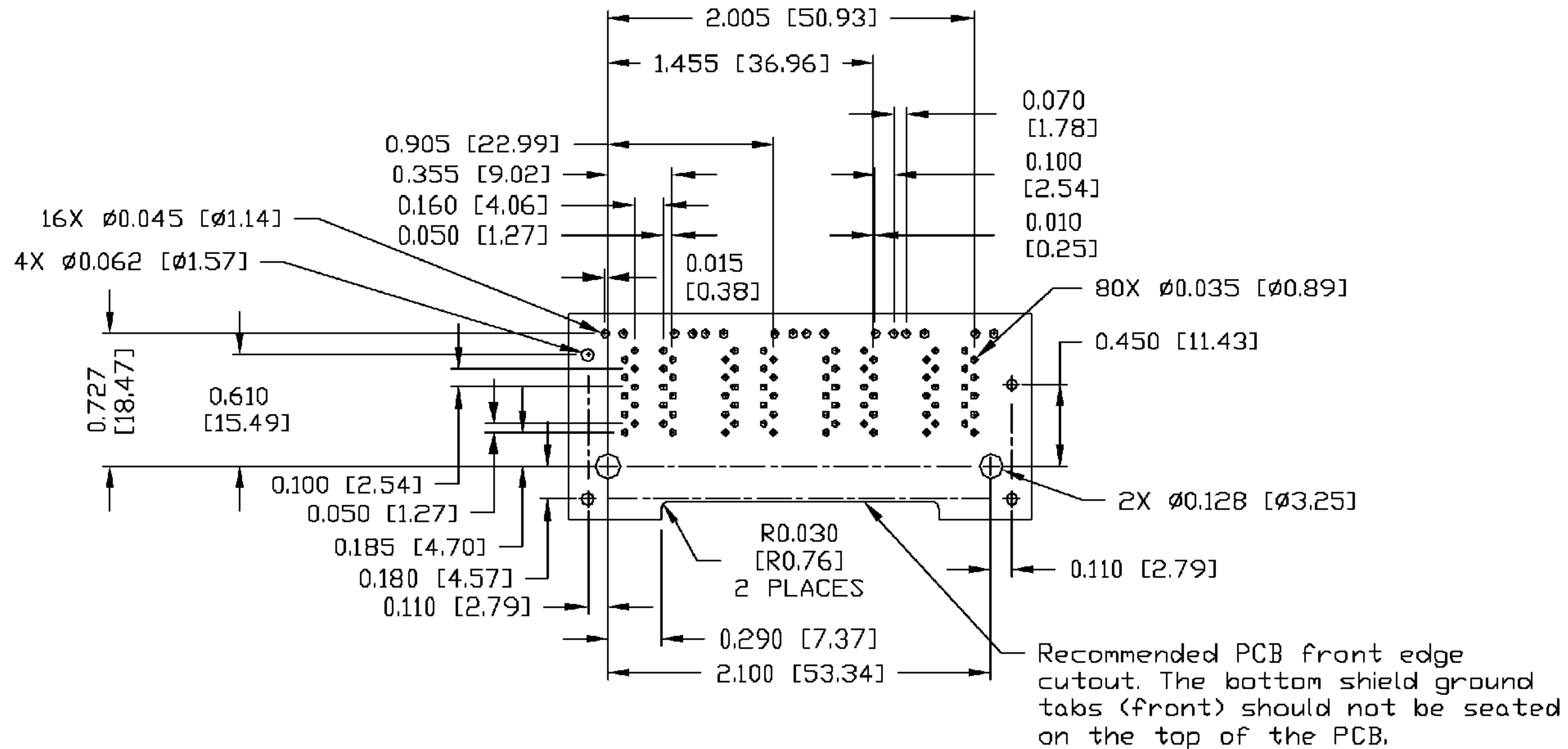
DRWN	DATE	TITLE
MEI	12-10-04	2X4 gigabit MagJack™ (8 Cores, with LED)
CHKD	DATE	
TAD/KEUNG	12-10-04	

PART NO. / DRAWING NO.	0863-2X4R-54
FILE NAME	08632X4R54B.DWG

STANDARD DIM.	[] METRIC DIM. AS REFERENCE
TOL. IN INCH	UNIT : INCH [mm]
.X	REV. : B
.XX	SCALE : N/A
.XXX	±0.004
	SIZE : A4
	PAGE : 4



THE INFORMATION CONTAINED HEREIN IS CONSIDERED "PROPRIETARY" TO BEL FUSE INC. AND SHALL NOT BE COPIED, REPRODUCED OR DISCLOSED WITHOUT THE WRITTEN APPROVAL OF BEL FUSE INC.



SUGGESTED FOOTPRINT
 (COMPONENT SIDE VIEW)

DRWN MEI	DATE 12-10-04	TITLE 2X4 gigabit MagJack™ (8 Cores, with LED)
CHKD TAD/KEUNG	DATE 12-10-04	

PART NO. / DRAWING NO. 0863-2X4R-54
FILE NAME 08632X4R54B.DWG

STANDARD DIM. TOL. IN INCH		[] METRIC DIM. AS REFERENCE	
X		UNIT : INCH [mm]	REV. : B
.XX		SCALE : N/A	SIZE : A4
.XXX	±0.010		PAGE : 5

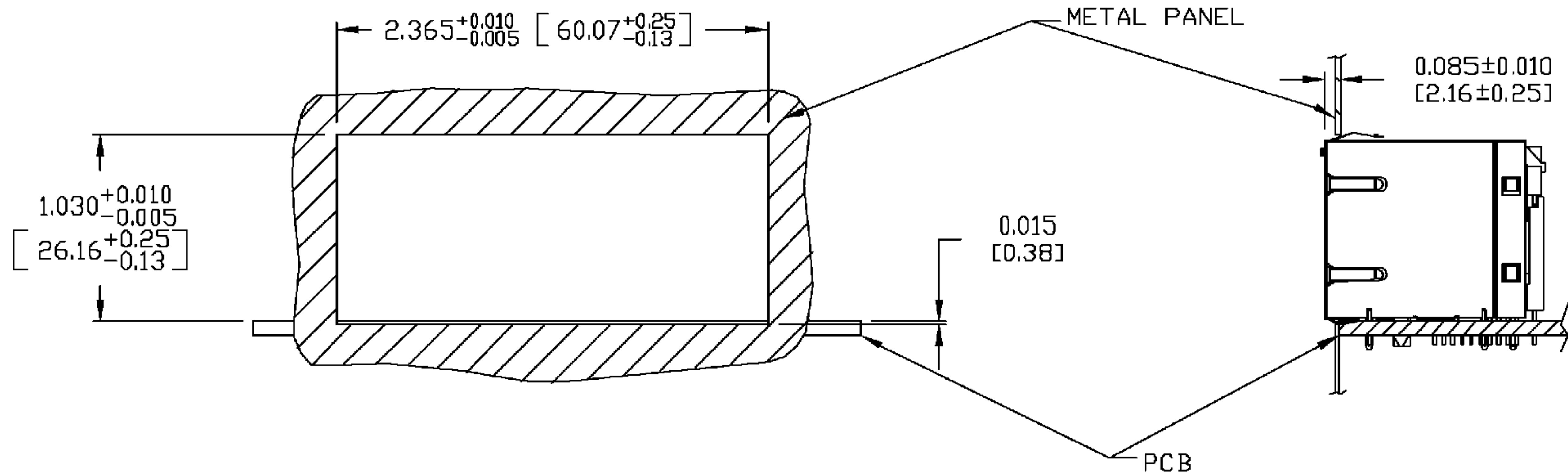
STANDARD DIM. TOL. IN INCH		[] METRIC DIM. AS REFERENCE	
X		UNIT : INCH [mm]	REV. : B
.XX		SCALE : N/A	SIZE : A4
.XXX	±0.010		PAGE : 5

STANDARD DIM. TOL. IN INCH		[] METRIC DIM. AS REFERENCE	
X		UNIT : INCH [mm]	REV. : B
.XX		SCALE : N/A	SIZE : A4
.XXX	±0.010		PAGE : 5



THE INFORMATION CONTAINED HEREIN IS CONSIDERED "PROPRIETARY" TO BEL FUSE INC. AND SHALL NOT BE COPIED, REPRODUCED OR DISCLOSED WITHOUT THE WRITTEN APPROVAL OF BEL FUSE INC.

SUGGESTED PANEL OPENING



NOTES:


THE DISTANCE OF PANEL INSIDE SURFACE RELATIVE TO FRONT SURFACE OF PART IS ONLY A SUGGESTION. IN CASE THIS DISTANCE IS DIFFERENT, THE REQUIRED PANEL OPENING DIMENSIONS CHANGE ACCORDINGLY.

PACKING INFORMATION

OR PACKING TRAY : 0200-9999-E7 (TOP)
0200-9999-E8 (BOTTOM)

PACKING QUANTITY : 20 PCS FINISHED GOODS PER TRAY
7 TRAYS (140 PCS FINISHED GOODS) PER CARTON BOX

NOTE : CARDBOARDS ARE PLACED BETWEEN LAYERS OF PACKING TRAY INSIDE CARTON BOX
(INCLUDE THE UPPERMOST AND LOWERMOST TRAY)

DRWN		DATE	TITLE	PART NO. / DRAWING NO.	STANDARD DIM. TOL. IN INCH	[] METRIC DIM. AS REFERENCE		 COMPONENTS FOR A CONNECTED PLANET
MEI		12-10-04	2X4 gigabit MagJack™ (8 Cores, with LED)	0863-2X4R-54	X	UNIT : INCH [mm]	REV. : B	
CHKD		DATE		FILE NAME	.XX	SCALE : N/A	SIZE : A4	
TAD/KEUNG		12-10-04		08632X4R54B.DWG	.XXX	±0.004	PAGE : 6	