

THE INFORMATION CONTAINED HEREIN IS CONSIDERED "PROPRIETARY" TO BEL FUSE INC. AND SHALL NOT BE COPIED, REPRODUCED OR DISCLOSED WITHOUT THE WRITTEN APPROVAL OF BEL FUSE INC.



LED1 POLARITY			LED2 POLARITY			
PIN 11	PIN 12	COLOR	PIN 15	PIN 14	PIN 13	COLOR
-	+	YELLOW	-	+	/	ORANGE
/	/	/	/	+	-	GREEN
/	/	/	-	+	-	MIXED YELLOW

**ELECTRICAL CHARACTERISTICS @ 25°C**

**URNS RATIO**

TP1	1CT : 1CT ±2%
TP2	1CT : 1CT ±2%
TP3	1CT : 1CT ±2%
TP4	1CT : 1CT ±2%

OCCL @ 100kHz/100mVRMS  
8mA DC BIAS

350µH MIN.

**INS. LOSS**

1MHz TO 100MHz -1.2 dB MAX

**RET. LOSS (MIN)**

0.5MHz-40MHz -18 dB  
40MHz-100MHz -12+20LOG(f/80MHz) dB

**Cross Talk**

100KHz - 100MHz -33+20LOG(f/100MHz)dB MIN

**CM TO CM REJ**

100kHz - 100MHz -30 dB MIN

**CM TO DM REJ**

100kHz - 100MHz -35 dB MIN

HIPOT (Isolation Voltage): 1500 Vrms or 2250VDC

**LED 1**

VF (FORWARD VOLTAGE) IF=20mA YELLOW 2.1V TYP.  
λD (DOMINANT WAVELENGTH) IF=20mA YELLOW 590nm TYP.

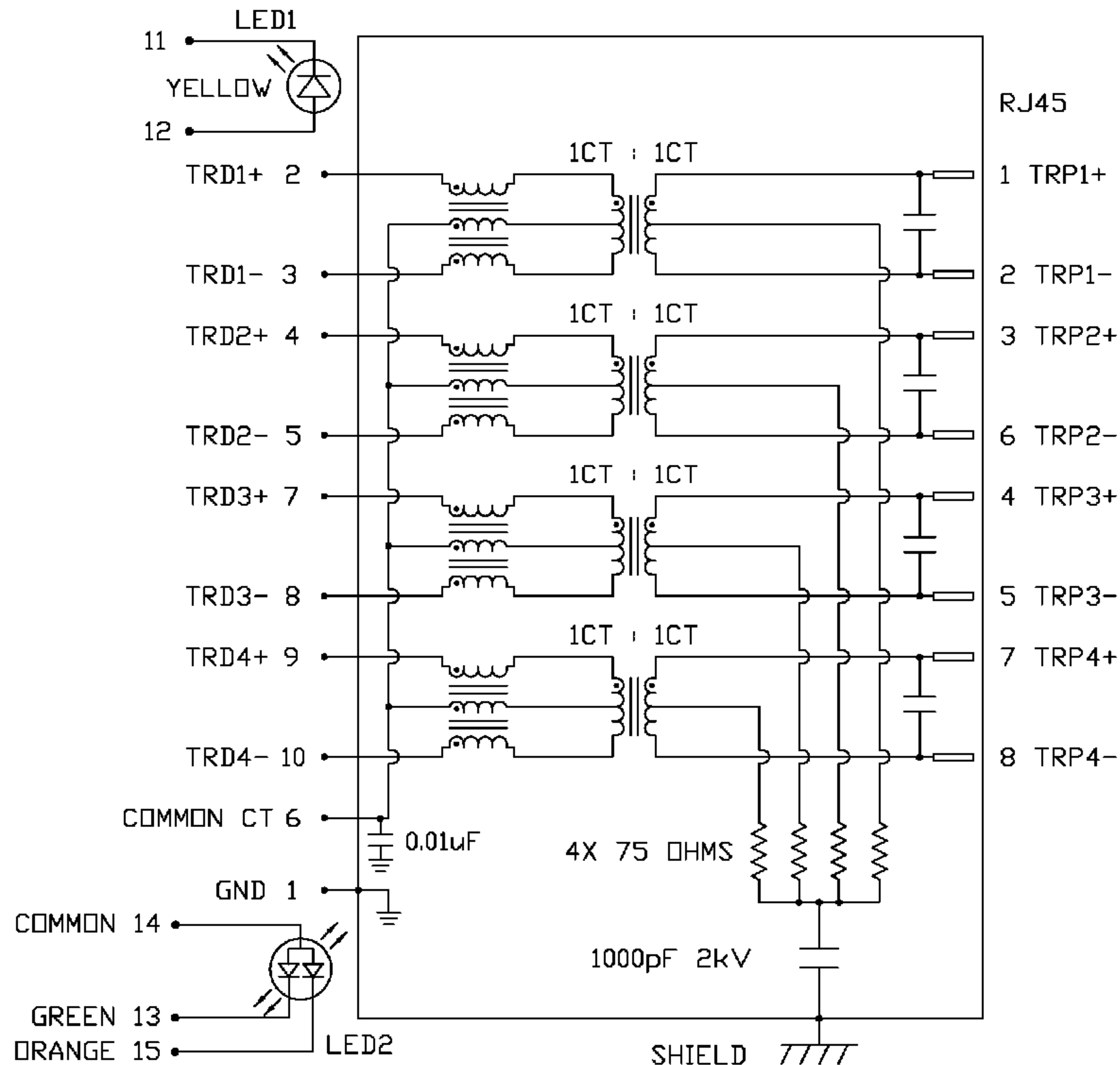
**LED 2**

VF (FORWARD VOLTAGE) IF=20mA YELLOW GREEN 2.2V TYP.  
AMBER 2.1V TYP.  
λD (DOMINANT WAVELENGTH) IF=20mA YELLOW GREEN 570nm TYP.  
AMBER 607nm TYP.

MIXED YELLOW DOES NOT HAVE SPECIFIC WAVELENGTH.

**USB ELECTRICAL:**

INSULATION RESISTANCE: 1000 MEGAΩ (MIN)  
CONTACT RESISTANCE: 25 MILLIΩ (MAX)  
DIELECTRIC WITHSTANDING: 750 VAC



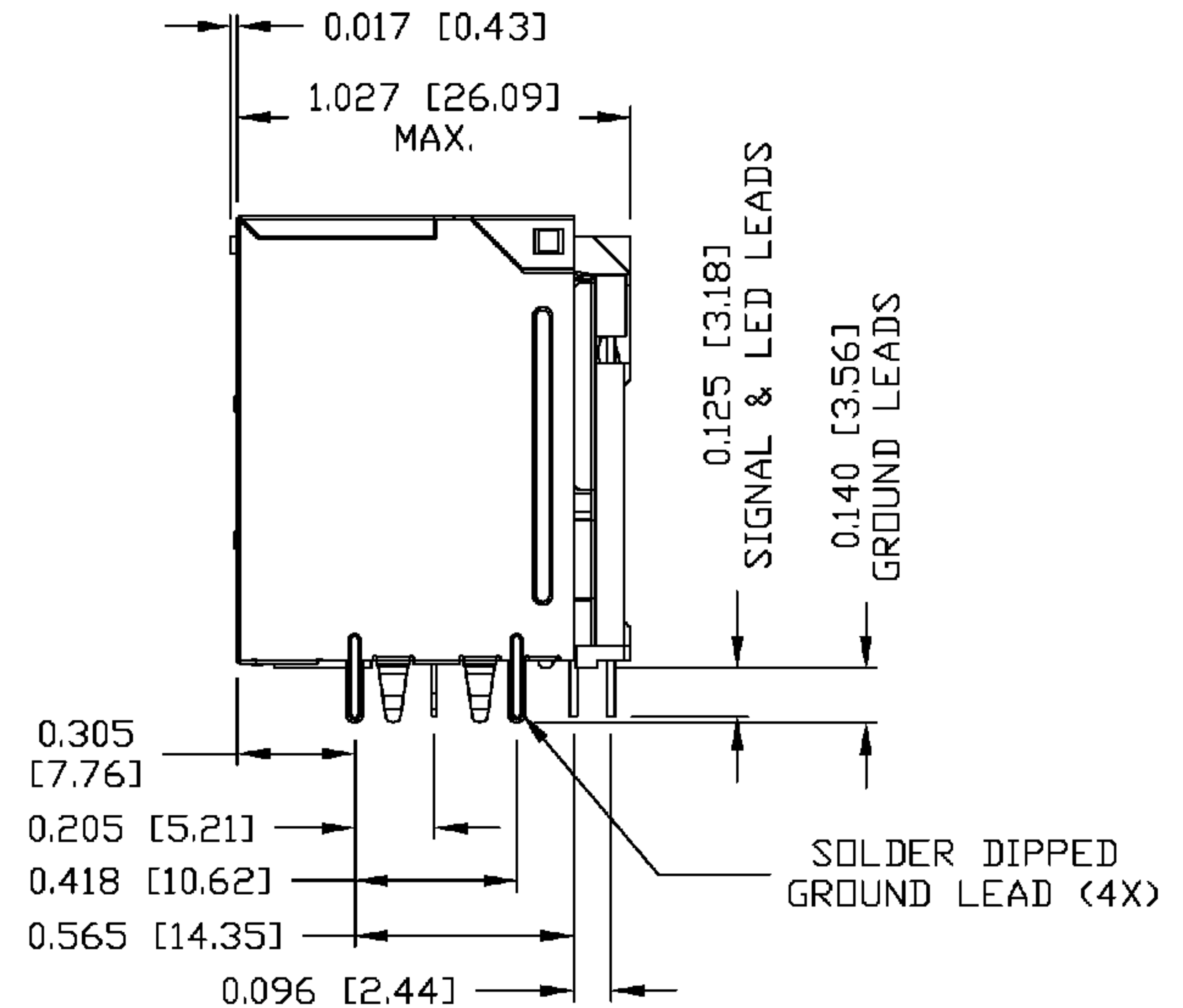
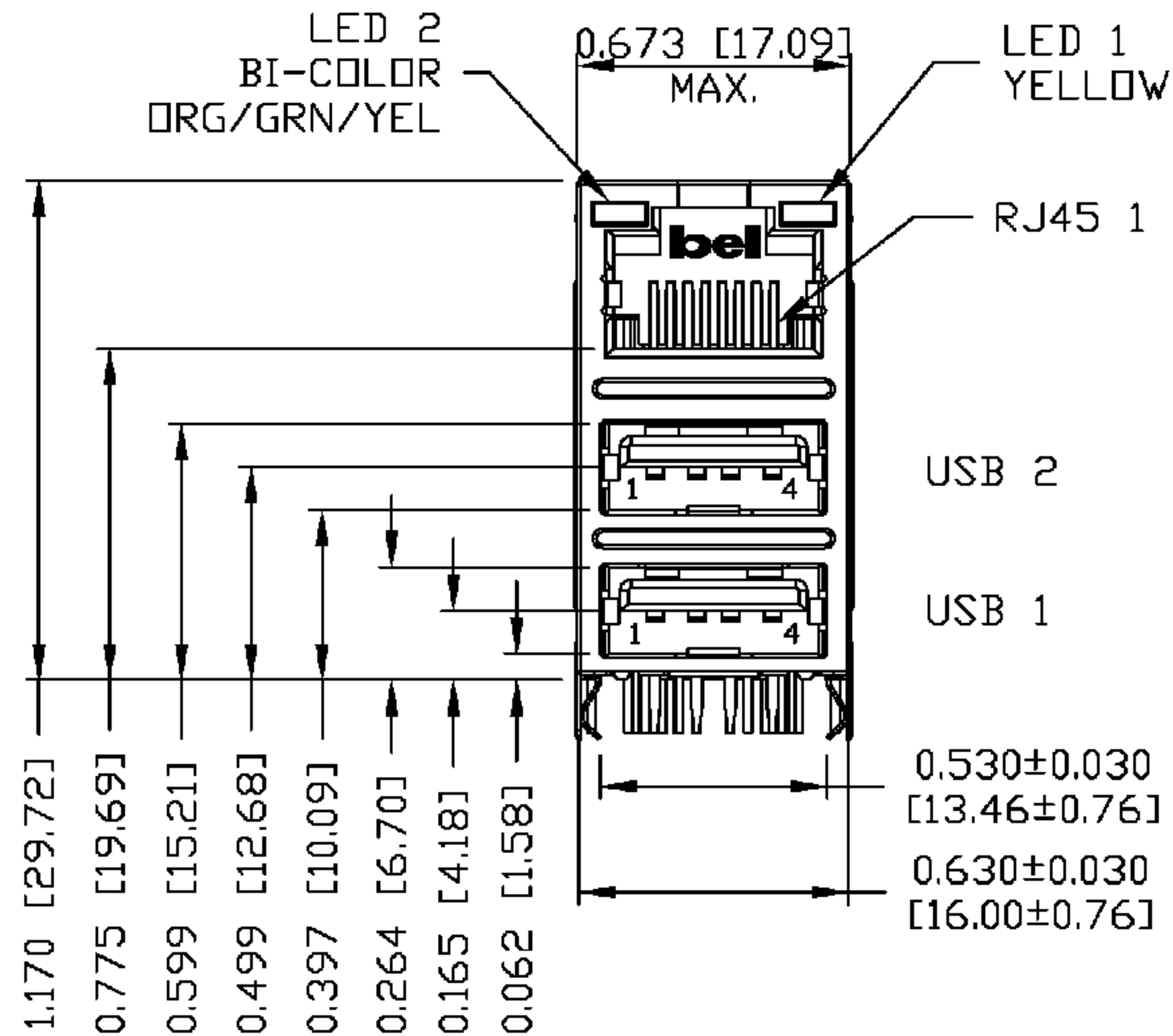
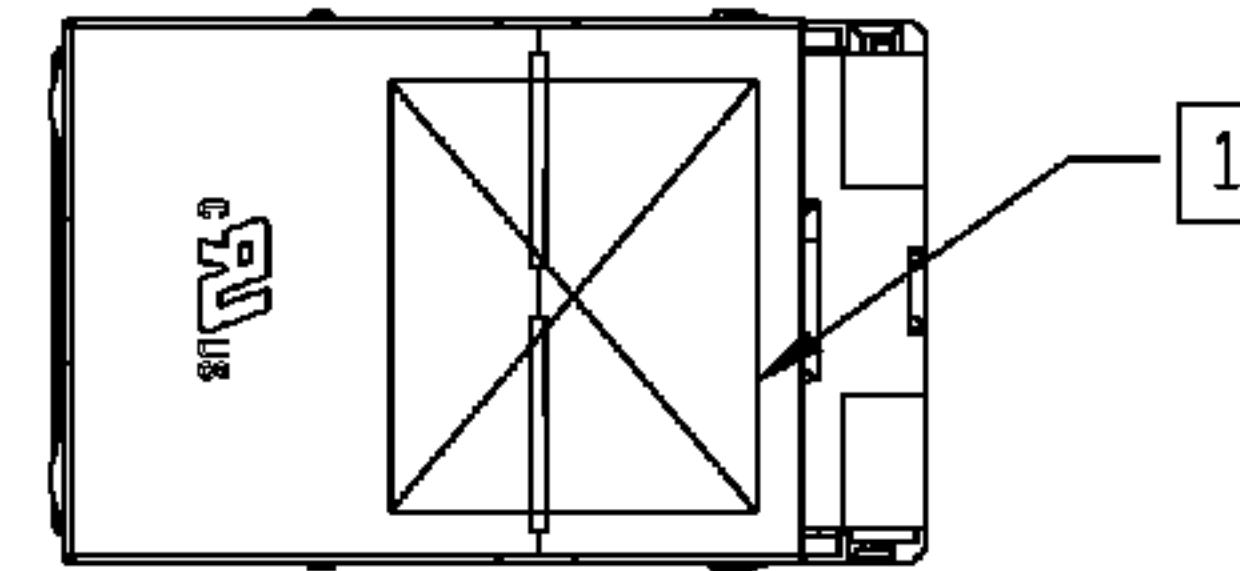
<b>ORIGINATED BY</b> CHUNG	<b>DATE</b> 04-17-06	<b>TITLE</b> gigabit MagJack® Combo (Dual Stuff Option, 8 cores)	<b>PART NO. / DRAWING NO.</b> 08621JX1D9-F	<b>STANDARD DIM.</b> TOL. IN INCH	<b>[ ] METRIC DIM. AS REFERENCE</b>	
<b>DRAWN BY</b> DE	<b>DATE</b> 04-17-06		<b>FILE NAME</b> 08621JX1D9-FA.DWG	.X .XX .XXX	UNIT : INCH [mm] SCALE : N/A	REV. : A SIZE : A4 PAGE : 2



THE INFORMATION CONTAINED HEREIN IS CONSIDERED "PROPRIETARY" TO BEL FUSE INC. AND SHALL NOT BE COPIED, REPRODUCED OR DISCLOSED WITHOUT THE WRITTEN APPROVAL OF BEL FUSE INC.



## MECHANICAL SPECIFICATION

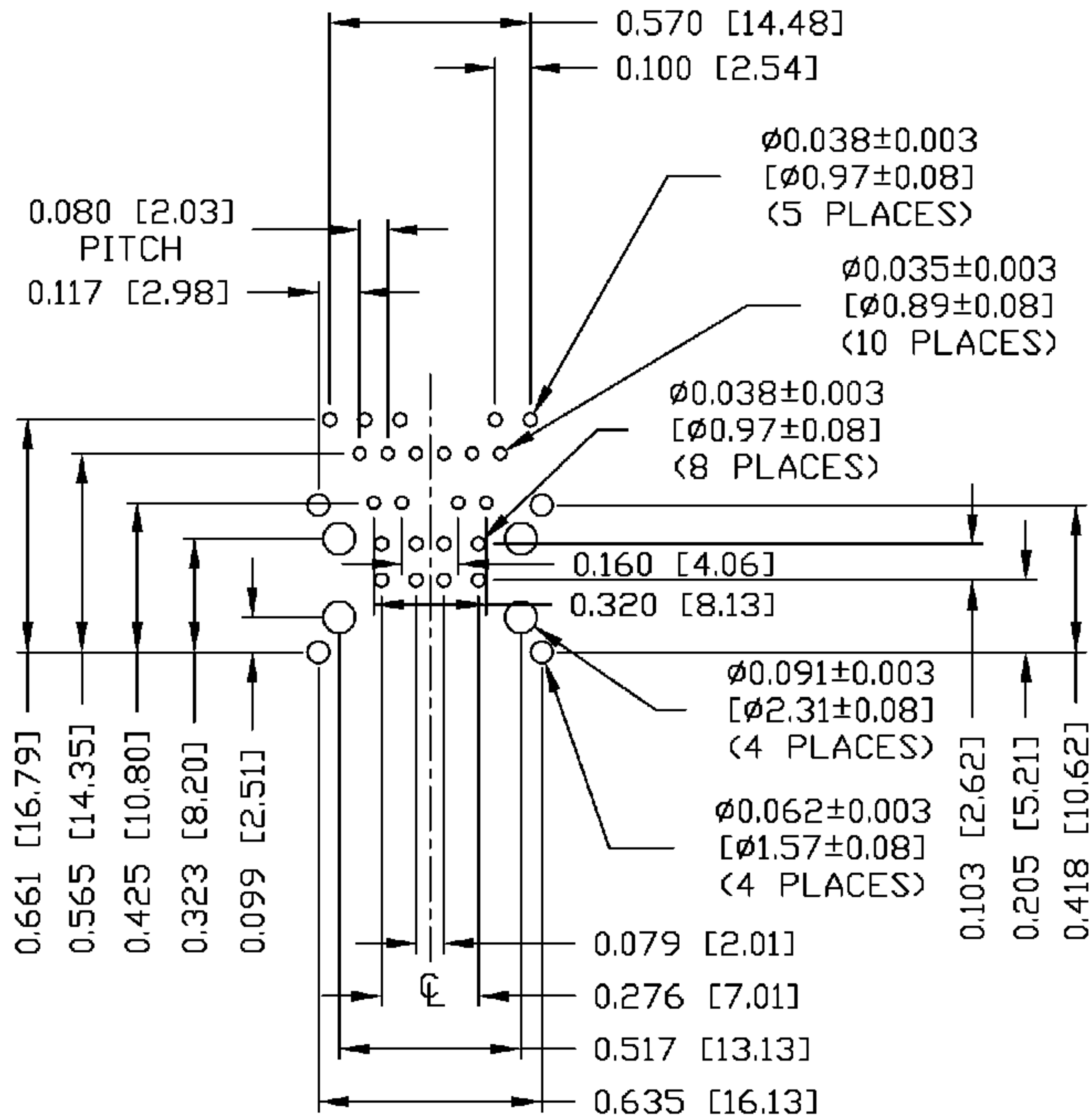


ORIGINATED BY QIN	DATE 04-17-06	TITLE gigabit MagJack® Combo (Dual Stuff Option, 8 cores) 0862-1JX1-D9-F	PART NO. / DRAWING NO. 08621JX1D9-F	STANDARD DIM. TOL. IN INCH	[ ] METRIC DIM. AS REFERENCE	 COMPONENTS OF A CONNECTED PLANET
DRAWN BY TING	DATE 04-17-06		FILE NAME 08621JX1D9-FA.DWG	.X	UNIT : INCH [mm]	
			.XX	SCALE : N/A	SIZE : A4	
			.XXX ±0.010		PAGE : 3	

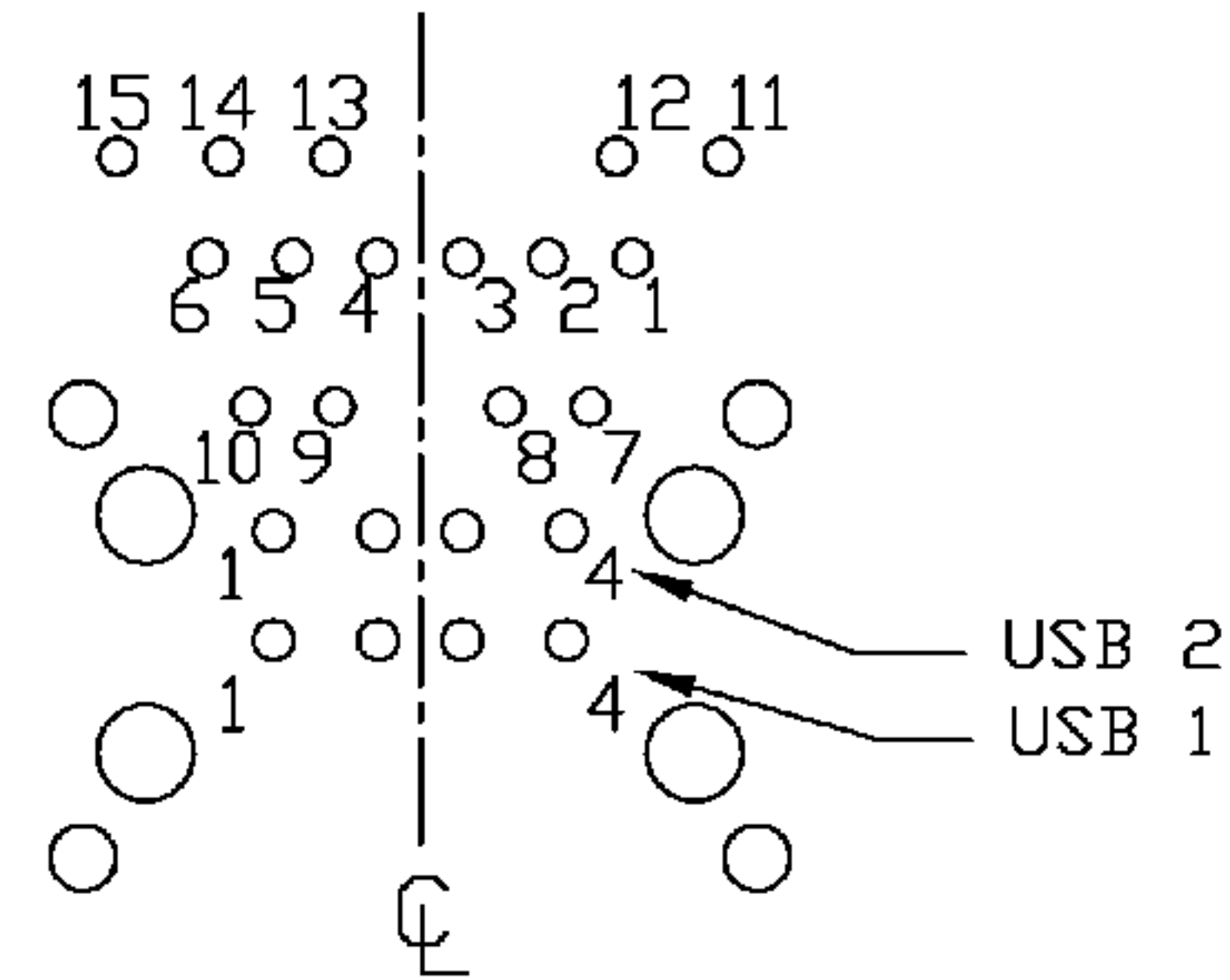
THE INFORMATION CONTAINED HEREIN IS CONSIDERED "PROPRIETARY" TO BEL FUSE INC. AND SHALL NOT BE COPIED, REPRODUCED OR DISCLOSED WITHOUT THE WRITTEN APPROVAL OF BEL FUSE INC.



**RECOMMENDED PCB FOOTPRINT**  
COMPONENT SIDE VIEW



**PIN ASSIGNMENT**  
SCALE 3:2



**RJ45 MECHCNICAL:**

PLASTIC HOUSING: THERMOPLASTIC PBT  
FLAMMABILITY RATING UL 94V-0  
CONTACT PLATING: 30 MICRO-INCH HARD GOLD PLATING  
PINS: TIN-COATED COPPER WIRE, DIA 0.018 INCH.  
METAL SHIELD: NICKEL PLATED ON COPPER ALLOY.  
(ALL GROUND LEADS ARE SOLDER DIPPED)

1. MARK ART WITH MFG LOGO, MFG NAME, ART NUMBER, AND DATE CODE.

UL RECOGNIZED - FILE #E196366 AND E169987.

RoHS COMPLIANT, PER EU DIRECTIVE 2002/95/EC  
JACK CAVITY CONFORMS TO FCC RULES AND REGULATIONS.

**USB MECHANICAL:**

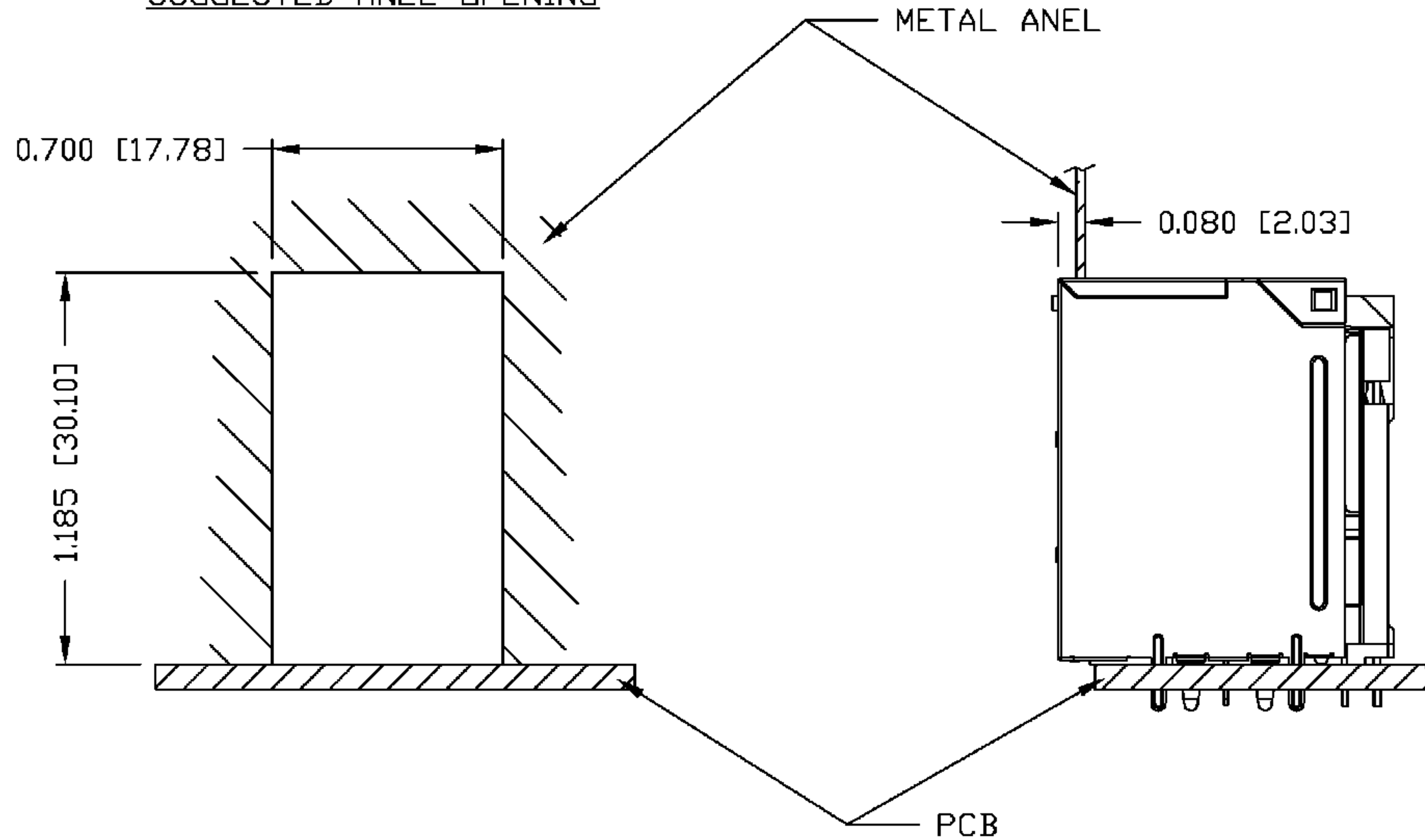
MATING FORCE: 35 NEWTONS MAXIMUM  
UNMATING FORCE: 10 NEWTONS MINIMUM  
CONTACT: PROSPHER BRONZE,  
30 MICRO-INCH GOLD PLATING ON CONTACT AREA  
AND TIN/LEAD ON SOLDER TAIL.

ORIGINATED BY QIN	DATE 04-17-06	TITLE gigabit MagJack® Combo (Dual Stuff Option, 8 cores)	PART NO. / DRAWING NO. 08621JX1D9-F	STANDARD DIM. TOL. IN INCH	[ ] METRIC DIM. AS REFERENCE	 COMPONENTS OR A CONNECTED PLANET	
DRAWN BY TING	DATE 04-17-06	0862-1JX1-D9-F	FILE NAME 08621JX1D9-FA.DWG	.X	UNIT : INCH [mm]		REV. : A
				.XX	SCALE : N/A		SIZE : A4
				.XXX ±0.004			PAGE : 4

THE INFORMATION CONTAINED HEREIN IS CONSIDERED "PROPRIETARY" TO BEL FUSE INC. AND SHALL NOT BE COPIED, REPRODUCED OR DISCLOSED WITHOUT THE WRITTEN APPROVAL OF BEL FUSE INC.



SUGGESTED ANEL OPENING



NOTE:

THE DISTANCE OF ANEL INSIDE SURFACE RELATIVE TO FRONT SURFACE OF ART IS ONLY A SUGGESTION. IN CASE THIS DISTANCE IS DIFFERENT, THE REQUIRED ANEL OPENING DIMENSIONS CHANGE ACCORDINGLY.

PACKING INFORMATION

PACKING TRAY : 0200-9999-A3

PACKING QUANTITY : 42 PCS FINISHED GOODS PER TRAY

10 TRAYS (420 PCS FINISHED GOODS) PER CARTON BOX

NOTE : CARDBOARDS ARE PLACED BETWEEN LAYERS OF PACKING TRAY INSIDE CARTON BOX (INCLUDE THE UPPERMOST AND LOWERMOST TRAY)

ORIGINATED BY QIN	DATE 04-17-06	TITLE gigabit MagJack® Combo (Dual Stuff Option, 8 cores) 0862-1JX1-D9-F	PART NO. / DRAWING NO. 08621JX1D9-F	STANDARD DIM.		[ ] METRIC DIM. AS REFERENCE		 COMPONENTS ON A CONNECTED PLANET
	DRAWN BY TING			DATE 04-17-06	FILE NAME 08621JX1D9-FA.DWG	TOL. IN INCH	UNIT : INCH [mm]	
				.X		SCALE : N/A	SIZE : A4	
				.XX		±0.004	PAGE : 5	
				.XXX				