

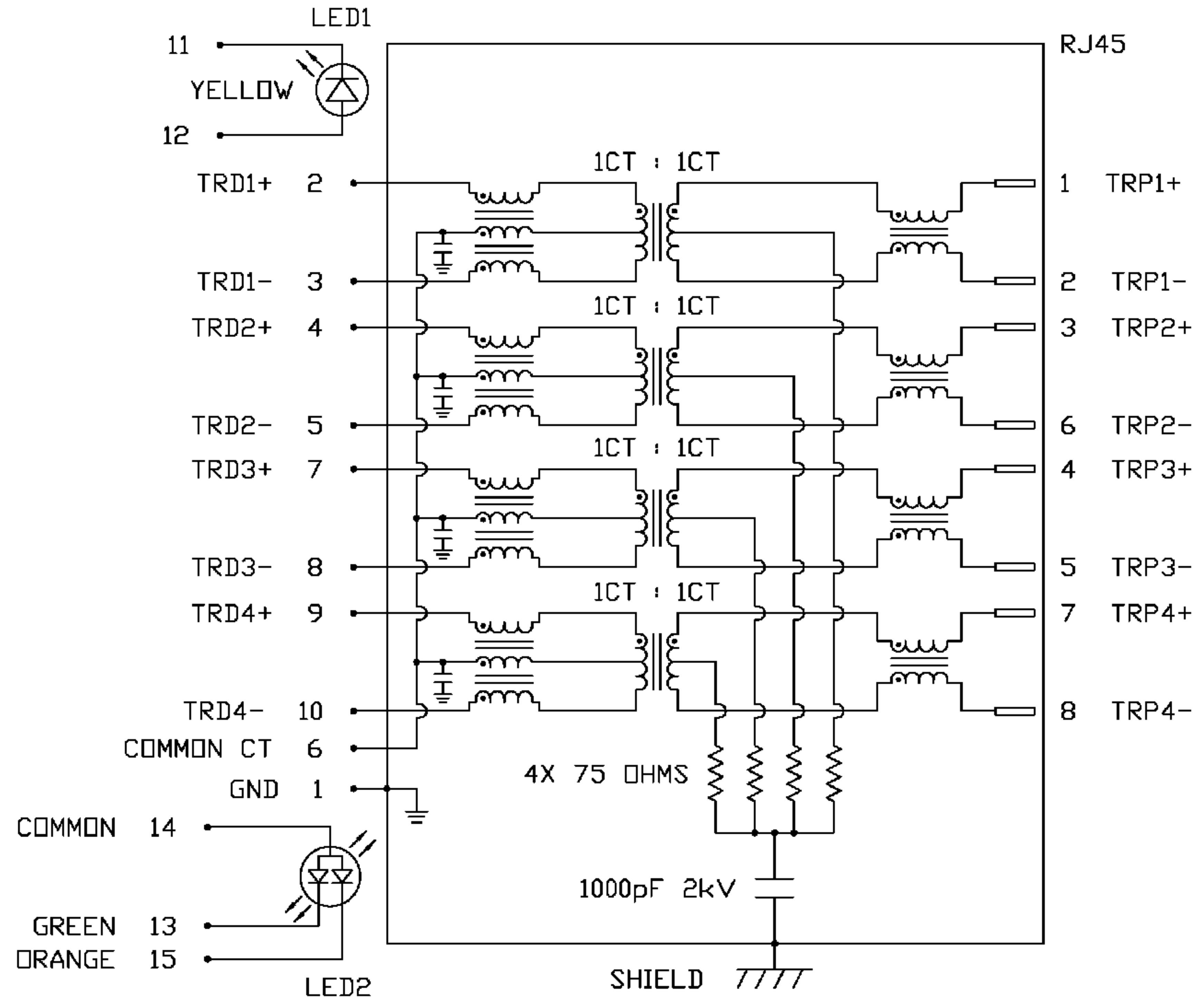
THE INFORMATION CONTAINED HEREIN IS CONSIDERED "PROPRIETARY" TO BEL FUSE INC. AND SHALL NOT BE COPIED, REPRODUCED OR DISCLOSED WITHOUT THE WRITTEN APPROVAL OF BEL FUSE INC.

LED2 POLARITY			LED1 POLARITY			
PIN 11	PIN 12	COLOR	PIN 13	PIN 14	PIN 15	COLOR
-	+	YELLOW	-	+	/	GREEN
/	/	/	/	+	-	ORANGE
/	/	/	-	+	-	MIXED YELLOW

ELECTRICAL CHARACTERISTICS @ 25°C

TURNS RATIO		
TP1	1CT : 1CT	±2%
TP2	1CT : 1CT	±2%
TP3	1CT : 1CT	±2%
TP4	1CT : 1CT	±2%
QCL @ 100kHz/100mVRMS		
8mA DC BIAS	350µH	MIN.
INS. LOSS		
1MHz TO 100MHz	-1.2	dB MAX
RET. LOSS (MIN)		
0.5MHz-40MHz	-18	dB
40MHz-100MHz	-12+20LOG(f/80MHz)	dB
Cross Talk		
Ch1-Ch2, Ch2-Ch3, Ch3-Ch4, Ch4-Ch1, Ch2-Ch4, Ch3-Ch1		
1MHz - 30MHz	-35dB	MIN
30MHz - 80MHz	-24dB	MIN
80MHz - 100MHz	-25dB	MIN
CM TO CM REJ		
100kHz - 100MHz	-30	dB MIN
CM TO DM REJ		
100kHz - 100MHz	-35	dB MIN
HIPDT (Isolation Voltage):	1500	Vrms
LED 1		
VF (FORWARD VOLTAGE)	IF=20mA	YELLOW 2.1V TYP.
λD (DOMINANT WAVELENGTH)	IF=20mA	YELLOW 590nm TYP.
LED 2		
VF (FORWARD VOLTAGE)	IF=20mA	YELLOW GREEN 2.2V TYP.
		AMBER 2.1V TYP.
λD (DOMINANT WAVELENGTH)	IF=20mA	YELLOW GREEN 570nm TYP.
		AMBER 607nm TYP.
MIXED YELLOW DOES NOT HAVE SPECIFIC WAVELENGTH.		
USB ELECTRICAL:		
INSULATION RESISTANCE:	1000	MEGA Ω (MIN)
CONTACT RESISTANCE:	25	MILLI Ω (MAX)
DIELECTRIC WITHSTANDING:	750	VAC

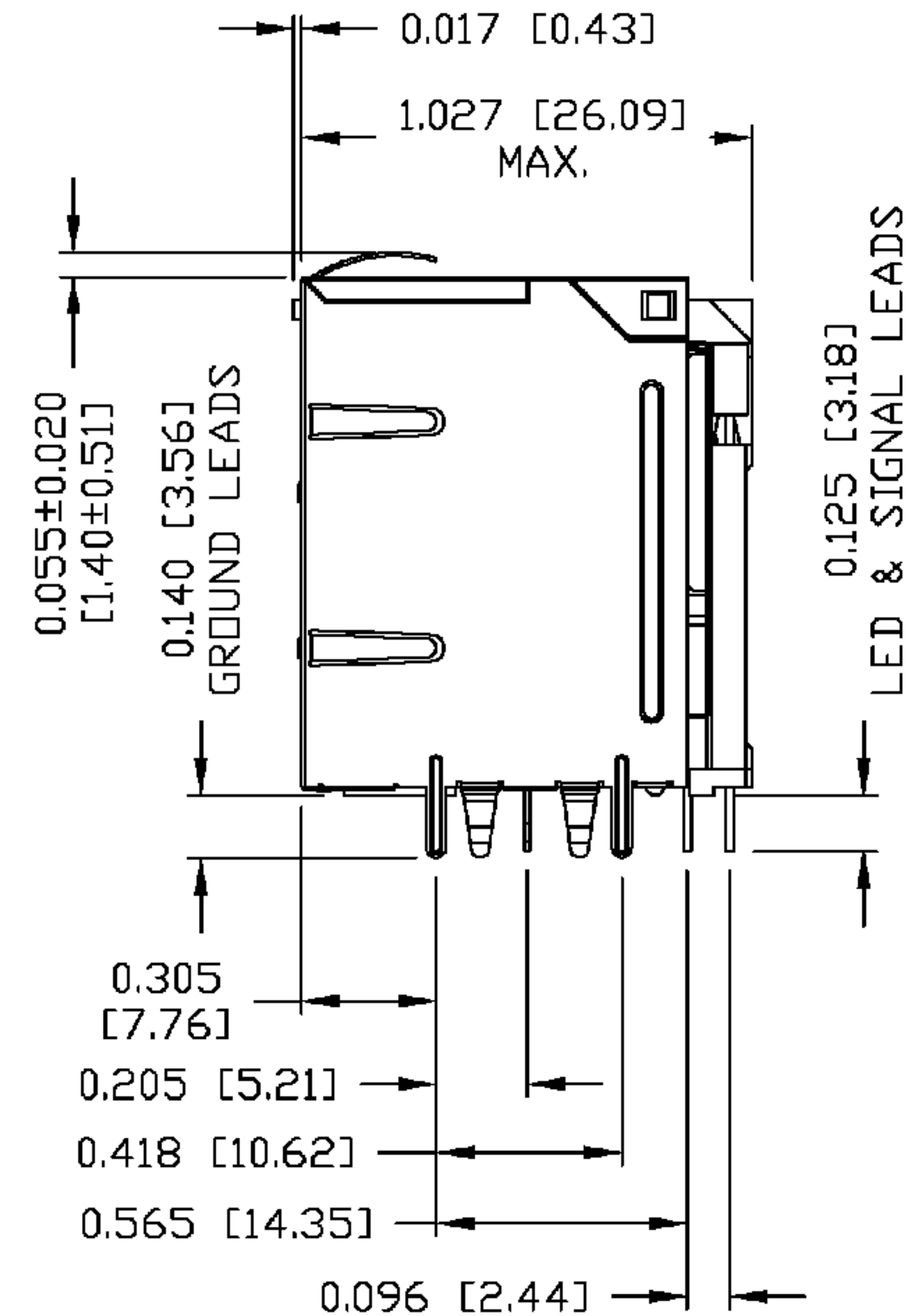
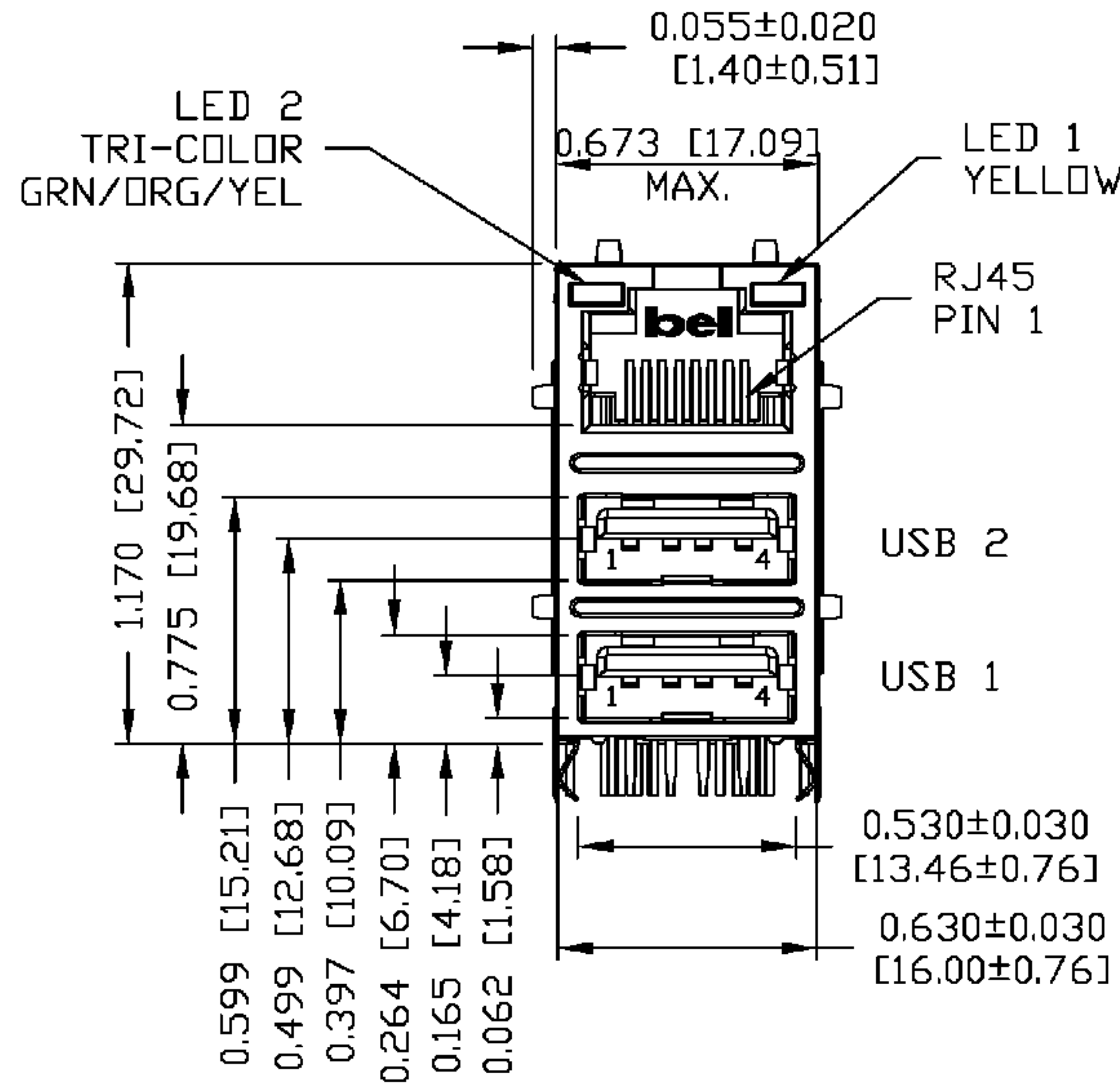
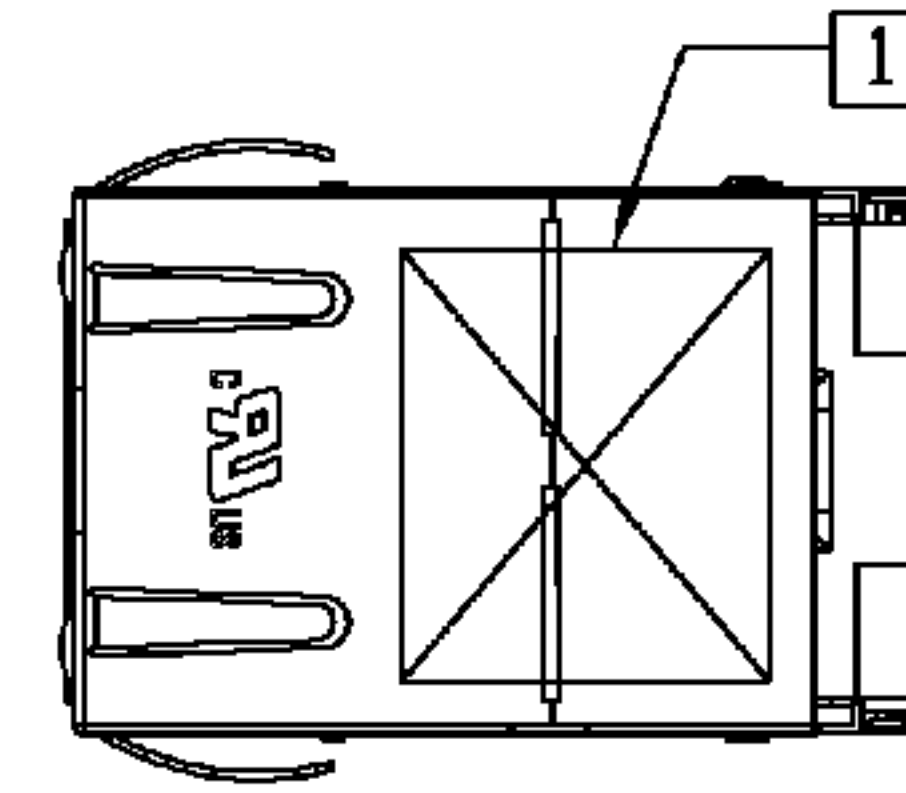
SCHEMATIC



ORIGINATED BY	DATE	TITLE	PART NO. / DRAWING NO.	STANDARD DIM.	[] METRIC DIM. AS REFERENCE		 bel <small>COMPONENTS FOR A CONNECTED PLANET</small>
CHUNG	08-16-05	gigabit MagJack® Combo DUAL CMC	0862-1J1T-93	TOL. IN INCH	UNIT : INCH [mm]	REV. : C	
DRAWN BY	DATE		FILE NAME	.X	SCALE : N/A	SIZE : A4	
DE	08-16-05	08621J1T93C.DWG	.XX		PAGE : 2		

THE INFORMATION CONTAINED HEREIN IS CONSIDERED "PROPRIETARY" TO BEL FUSE INC. AND SHALL NOT BE COPIED, REPRODUCED OR DISCLOSED WITHOUT THE WRITTEN APPROVAL OF BEL FUSE INC.

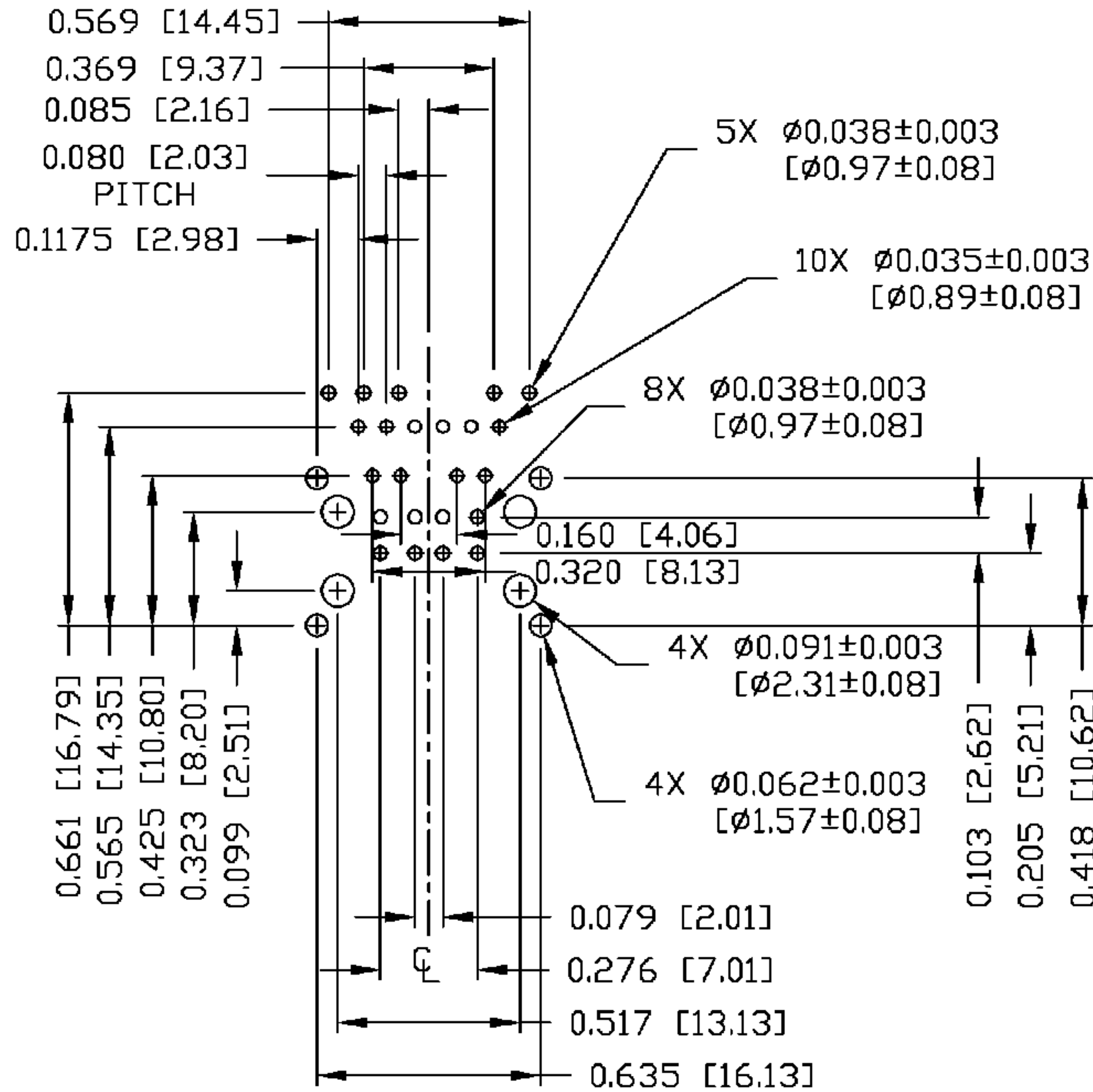
MECHANICAL SPECIFICATION



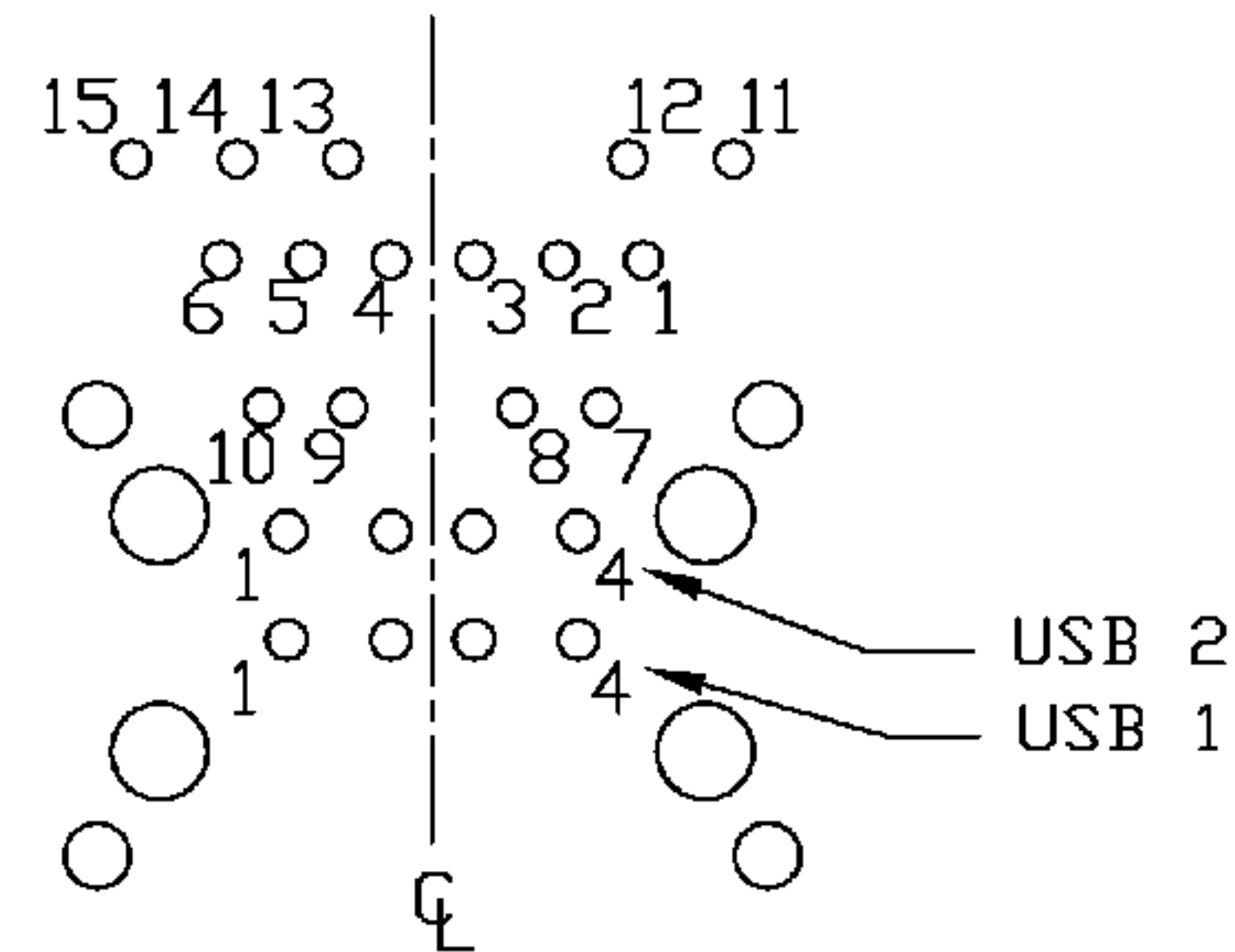
ORIGINATED BY BILL/KEUNG	DATE 08-16-05	TITLE gigabit MagJack® Combo DUAL CMC	PART NO. / DRAWING NO. 0862-1J1T-93	STANDARD DIM. TOL. IN INCH	[] METRIC DIM. AS REFERENCE	 COMPONENTS FOR A CONNECTED PLANET
DRAWN BY QIN	DATE 08-16-05		FILE NAME 08621J1T93C.DWG	.X	UNIT : INCH [mm]	
			.XX	SCALE : N/A	SIZE : A4	
			.XXX ±0.010		PAGE : 3	

THE INFORMATION CONTAINED HEREIN IS CONSIDERED "PROPRIETARY" TO BEL FUSE INC. AND SHALL NOT BE COPIED, REPRODUCED OR DISCLOSED WITHOUT THE WRITTEN APPROVAL OF BEL FUSE INC.

RECOMMENDED PCB FOOTPRINT
COMPONENT SIDE VIEW



PIN ASSIGNMENT
SCALE 3:2



RJ45 MECHCNICAL:

PLASTIC HOUSING: THERMOPLASTIC PBT
FLAMMABILITY RATING UL 94V-0
CONTACT PLATING: 30 MICRO-INCH HARD GOLD PLATING
PINS: TIN-COATED COPPER WIRE, DIA 0.018 INCH.
METAL SHIELD: NICKEL PLATED COPPER ALLOY.
(ALL GROUND LEADS ARE SOLDER DIPPED)

[1] MARK PART WITH MFG LOGO, MFG NAME, PART NUMBER AND DATE CODE.
UL RECOGNIZED - FILE #E196366 AND E169987.

USB MECHANICAL:

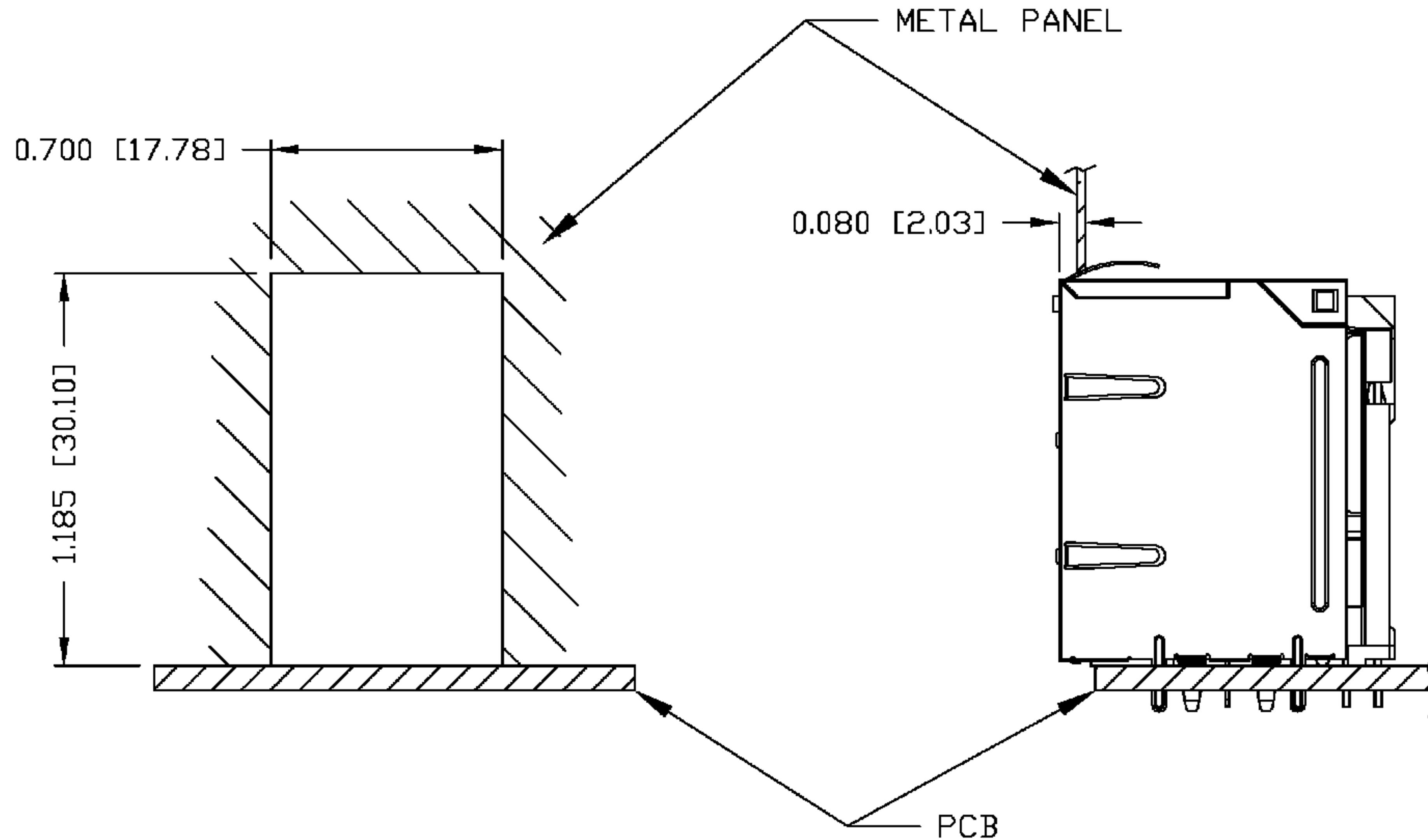
MATING FORCE: 35 NEWTONS MAXIMUM
UNMATING FORCE: 10 NEWTONS MINIMUM
CONTACT: PROSPER BRONZE,
30 MICRO-INCH GOLD PLATING ON CONTACT AREA
AND TIN/LEAD ON SOLDER TAIL.

ORIGINATED BY BILL/KEUNG	DATE 08-16-05	TITLE gigabit MagJack® Combo DUAL CMC	PART NO. / DRAWING NO. 0862-1J1T-93	STANDARD DIM. TOL. IN INCH	[] METRIC DIM. AS REFERENCE	
DRAWN BY QIN	DATE 08-16-05		FILE NAME 08621J1T93C.DWG	.X .XX .XXX	UNIT : INCH [mm] SCALE : N/A	REV. : C SIZE : A4 PAGE : 4



THE INFORMATION CONTAINED HEREIN IS CONSIDERED "PROPRIETARY" TO BEL FUSE INC. AND SHALL NOT BE COPIED, REPRODUCED OR DISCLOSED WITHOUT THE WRITTEN APPROVAL OF BEL FUSE INC.

SUGGESTED PANEL OPENING



NOTE:

THE DISTANCE OF PANEL INSIDE SURFACE RELATIVE TO FRONT SURFACE OF PART IS ONLY A SUGGESTION. IN CASE THIS DISTANCE IS DIFFERENT, THE REQUIRED PANEL OPENING DIMENSIONS CHANGE ACCORDINGLY.


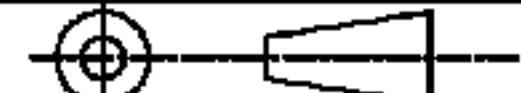
PACKING INFORMATION

PACKING TRAY : 0200-9999-A3

PACKING QUANTITY : 42 PCS FINISHED GOODS PER TRAY

10 TRAYS (420 PCS FINISHED GOODS) PER CARTON BOX

NOTE : CARDBOARDS ARE PLACED BETWEEN LAYERS OF PACKING TRAY INSIDE CARTON BOX
(INCLUDE THE UPPERMOST AND LOWERMOST TRAY)

ORIGINATED BY BILL/KEUNG	DATE 08-16-05	TITLE gigabit MagJack® Combo DUAL CMC	PART NO. / DRAWING NO. 0862-1J1T-93	STANDARD DIM. TOL. IN INCH	[] METRIC DIM. AS REFERENCE		 COMPONENTS FOR A CONNECTED PLANET
	DRAWN BY QIN		DATE 08-16-05	FILE NAME 08621J1T93C.DWG	.X	UNIT : INCH [mm]	
				.XX	SCALE : N/A	SIZE : A4	
				.XXX ±0.005		PAGE : 5	