

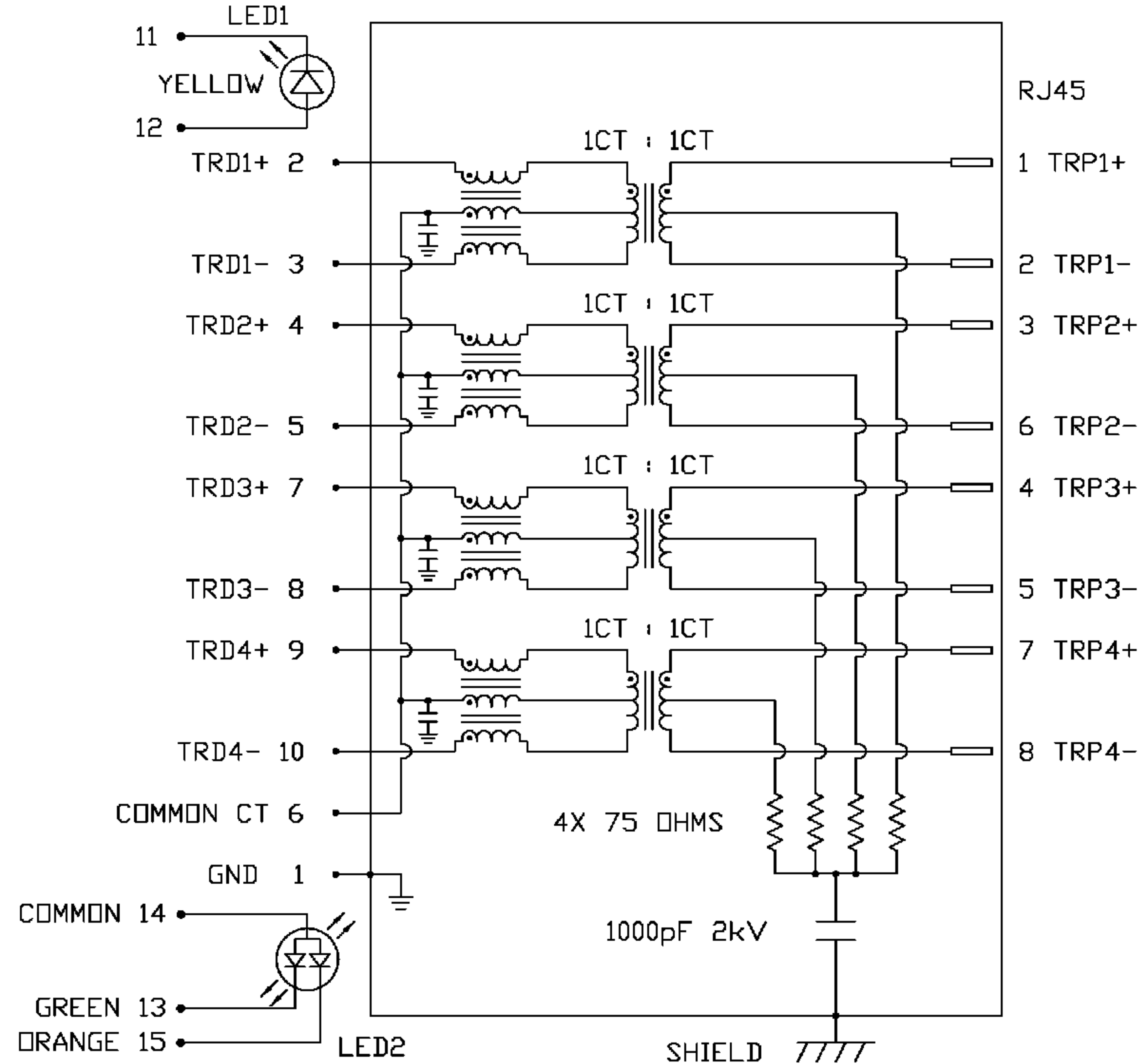
THE INFORMATION CONTAINED HEREIN IS CONSIDERED "PROPRIETARY" TO BEL FUSE INC. AND SHALL NOT BE COPIED, REPRODUCED OR DISCLOSED WITHOUT THE WRITTEN APPROVAL OF BEL FUSE INC.

LED1 POLARITY			LED2 POLARITY			
PIN 11	PIN 12	COLOR	PIN 15	PIN 14	PIN 13	COLOR
-	+	YELLOW	-	+	/	ORANGE
/	/	/	/	+	-	GREEN
/	/	/	-	+	-	MIXED YELLOW

**ELECTRICAL CHARACTERISTICS @ 25°C**

<b>TURNS RATIO</b>	
TP1	1CT : 1CT ±2%
TP2	1CT : 1CT ±2%
TP3	1CT : 1CT ±2%
TP4	1CT : 1CT ±2%
<b>QCL @ 100kHz/100mVRMS</b>	
8mA DC BIAS	350µH MIN.
<b>INS. LOSS</b>	
1MHz TO 100MHz	-1.2 dB MAX
<b>RET. LOSS (MIN) @ 100DHMS ±15%</b>	
0.5MHz-40MHz	-18 dB
40MHz-100MHz	-12+20LOG(f/80MHz) dB
<b>Cross Talk</b>	
Ch1-Ch2, Ch2-Ch3, Ch3-Ch4, Ch4-Ch1, Ch2-Ch4, Ch3-Ch1	
1MHz - 30MHz	-35dB MIN
30MHz - 80MHz	-24dB MIN
80MHz - 100MHz	-25dB MIN
<b>CM TO CM REJ</b>	
100kHz - 100MHz	-30 dB MIN
<b>CM TO DM REJ</b>	
100kHz - 100MHz	-35 dB MIN
<b>HIPOT (Isolation Voltage):</b>	1500 Vrms or 2250 VDC
100% OF PRODUCT TESTED IN PRODUCTION	
<b>LED 1</b>	
VF (FORWARD VOLTAGE)	IF=20mA YELLOW 2.1V TYP.
λD (DOMINANT WAVELENGTH)	IF=20mA YELLOW 590nm TYP.
<b>LED 2</b>	
VF (FORWARD VOLTAGE)	IF=20mA YELLOW GREEN 2.2V TYP.
	AMBER 2.1V TYP.
λD (DOMINANT WAVELENGTH)	IF=20mA YELLOW GREEN 570nm TYP.
	AMBER 607nm TYP.
MIXED YELLOW DOES NOT HAVE SPECIFIC WAVELENGTH.	
<b>USB ELECTRICAL:</b>	
INSULATION RESISTANCE:	1000 MEGA Ω (MIN)
CONTACT RESISTANCE:	25 MILLI Ω (MAX)
DIELECTRIC WITHSTANDING:	750 VAC

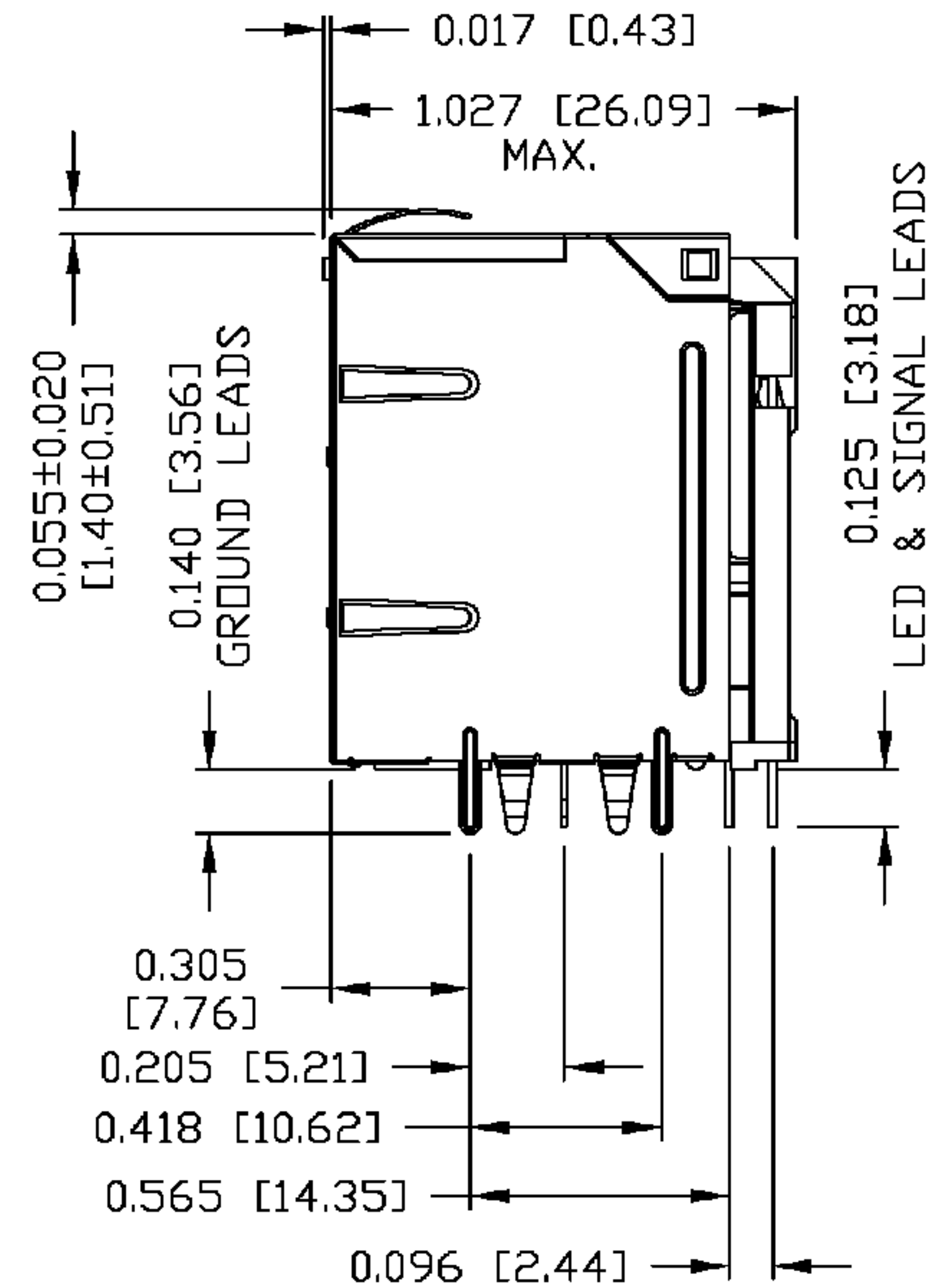
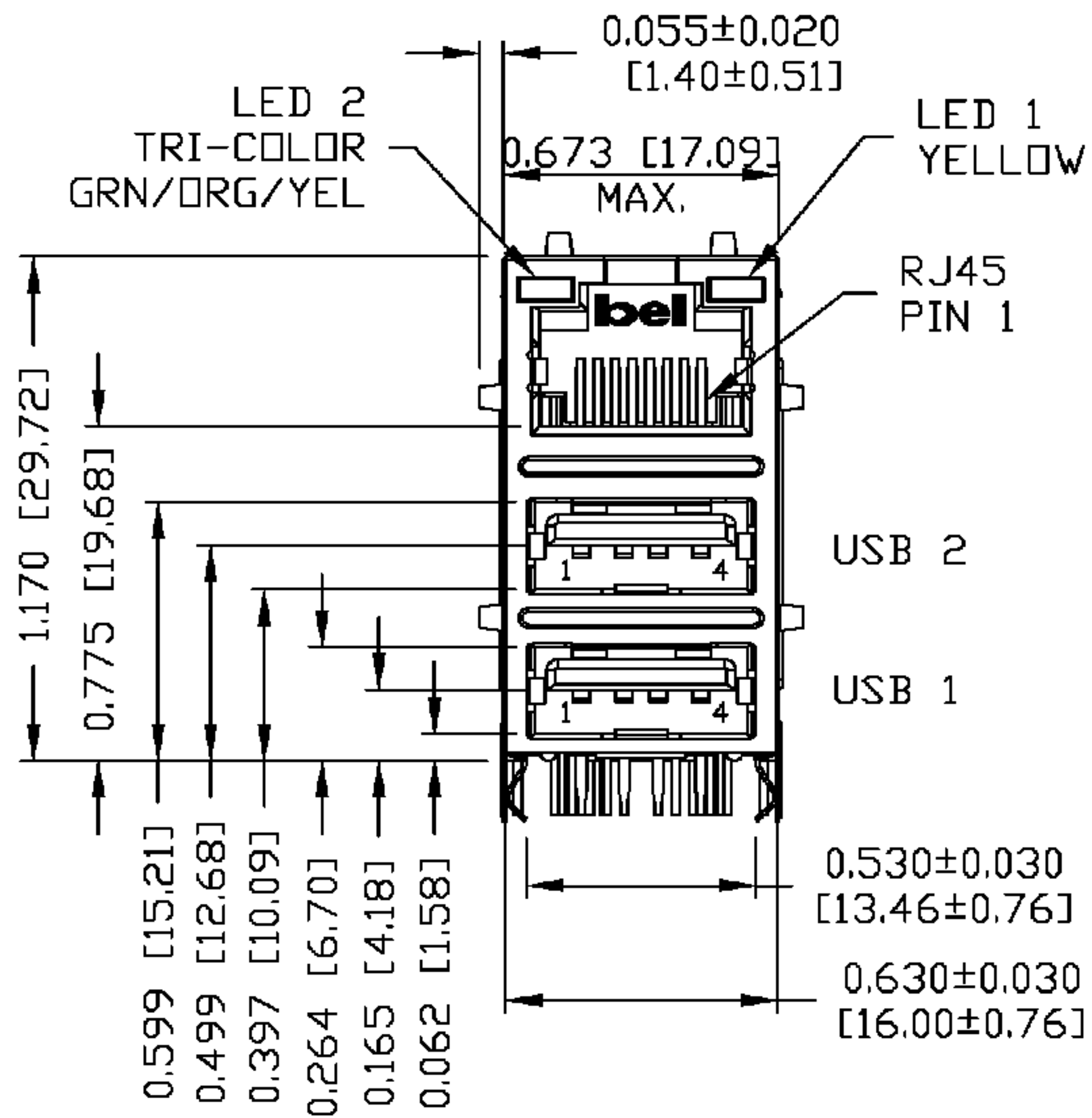
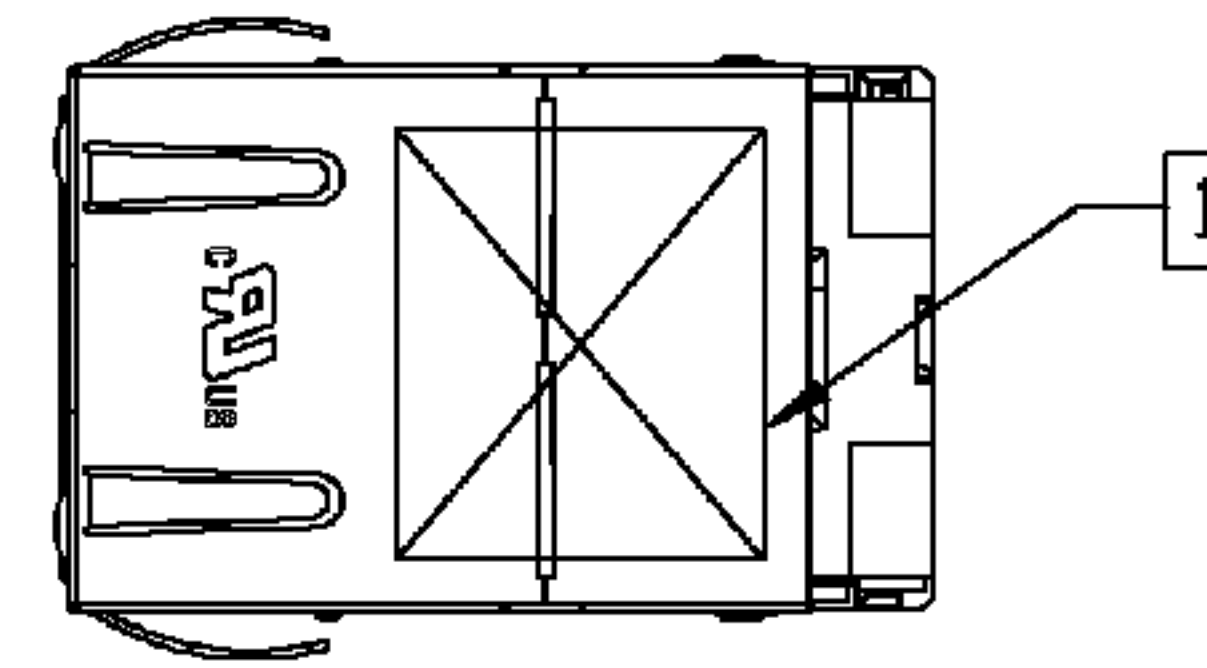
**SCHEMATIC**



<b>ORIGINATED BY</b> CHUNG	<b>DATE</b> 08-15-05	<b>TITLE</b> gigabit MagJack® Combo (Dual Stuff Option, 8 core)	<b>PART NO. / DRAWING NO.</b> 0862-1J1T-43	<b>STANDARD DIM. TOL. IN INCH</b>	<b>[ ] METRIC DIM. AS REFERENCE</b>		<b>bel</b> COMPONENTS FOR A CONNECTED PLANET
<b>DRAWN BY</b> DE	<b>DATE</b> 08-15-05		<b>FILE NAME</b> 08621J1T43G.DWG	.X .XX .XXX	UNIT : INCH [mm] SCALE : N/A	REV. : G SIZE : A4 PAGE : 2	

THE INFORMATION CONTAINED HEREIN IS CONSIDERED "PROPRIETARY" TO BEL FUSE INC. AND SHALL NOT BE COPIED, REPRODUCED OR DISCLOSED WITHOUT THE WRITTEN APPROVAL OF BEL FUSE INC.

## MECHANICAL SPECIFICATION

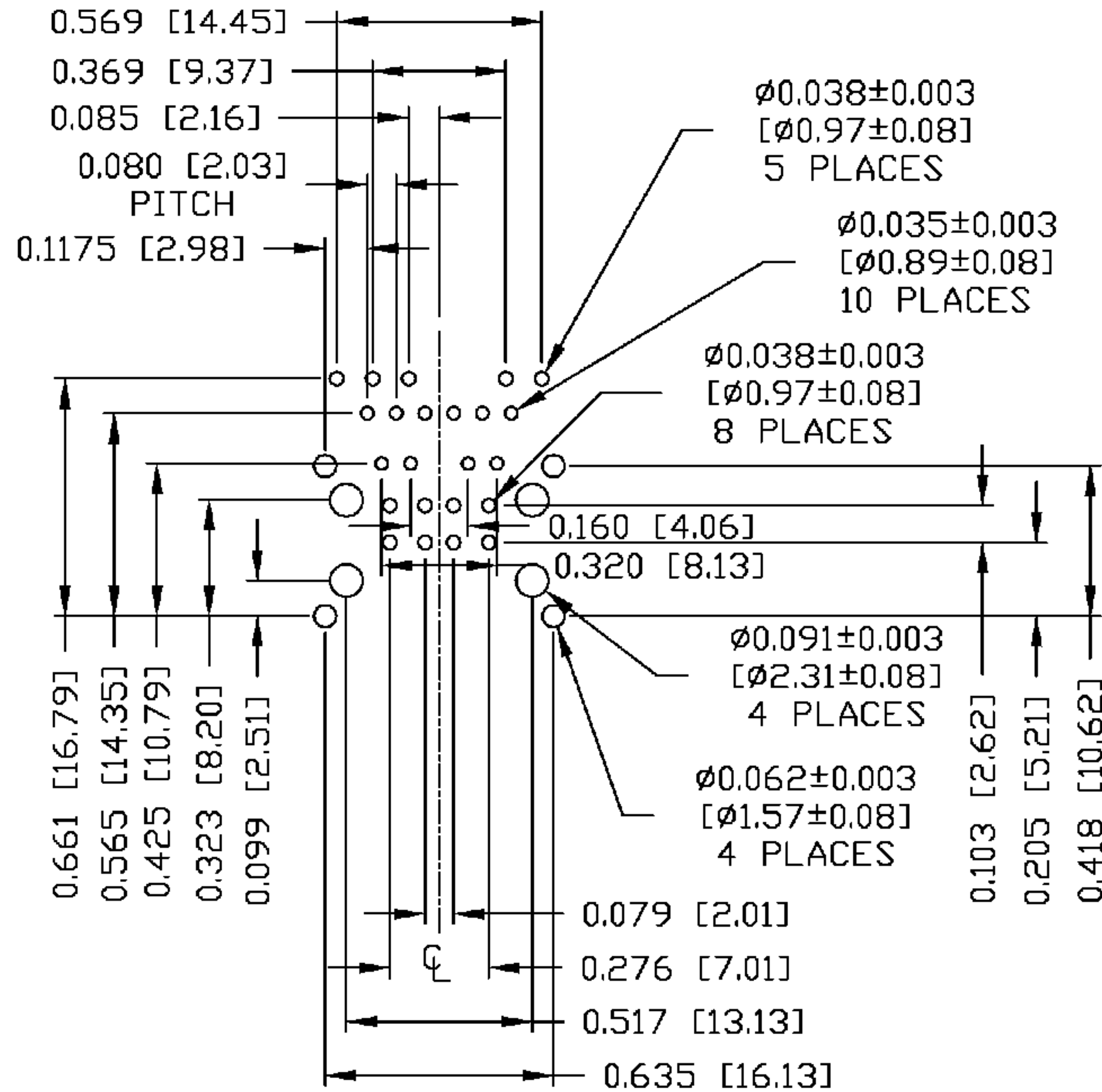


ORIGINATED BY BILL/KEUNG	DATE 08-15-05	TITLE gigabit MagJack® Combo (Dual Stuff Option, 8 core)	PART NO. / DRAWING NO. 0862-1J1T-43	STANDARD DIM. TOL. IN INCH	[ ] METRIC DIM. AS REFERENCE	 COMPONENTS FOR A CONNECTED PLANET
DRAWN BY QIN	DATE 08-15-05		FILE NAME 08621J1T43G.DWG	.X	UNIT : INCH [mm]	
			.XX	SCALE : N/A	SIZE : A4	
			.XXX ±0.010		PAGE : 3	

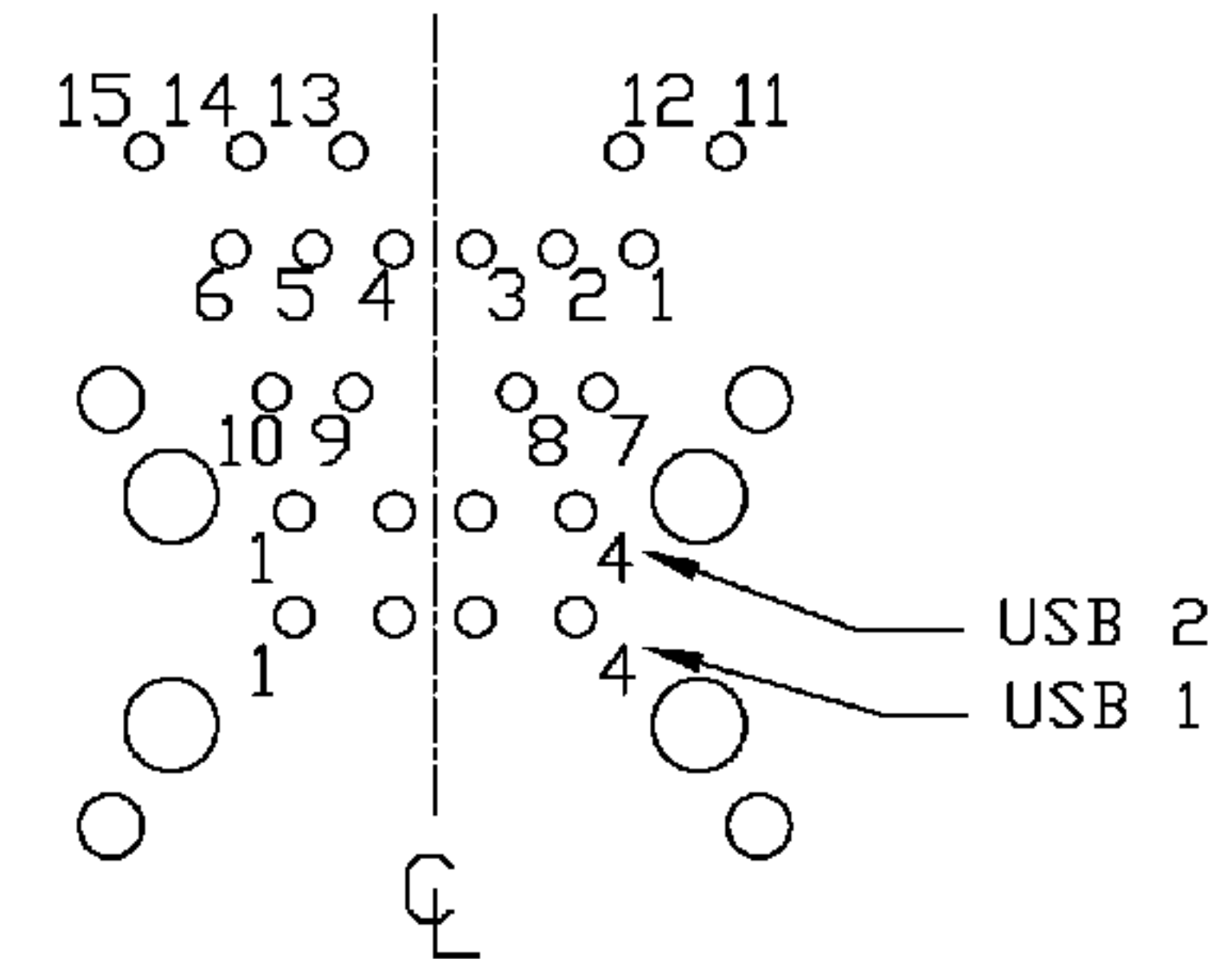
THE INFORMATION CONTAINED HEREIN IS CONSIDERED "PROPRIETARY" TO BEL FUSE INC. AND SHALL NOT BE COPIED, REPRODUCED OR DISCLOSED WITHOUT THE WRITTEN APPROVAL OF BEL FUSE INC.

RECOMMENDED PCB FOOTPRINT

COMPONENT SIDE VIEW



PIN ASSIGNMENT



RJ45 MECHCNICAL:

PLASTIC HOUSING: THERMOPLASTIC PBT  
 FLAMMABILITY RATING UL 94V-0  
 CONTACT PLATING: 30 MICRO-INCH HARD GOLD PLATING  
 PINS: TIN-COATED COPPER WIRE, DIA 0.018 INCH.  
 METAL SHIELD: NICKEL PLATED COPPER ALLOY.  
 (ALL GROUND LEADS ARE SOLDER DIPPED)

1. MARK PART WITH MFG LOGO, MFG NAME, PART NUMBER, AND DATE CODE.

 UL RECOGNIZED - FILE #E196366 AND E169987.

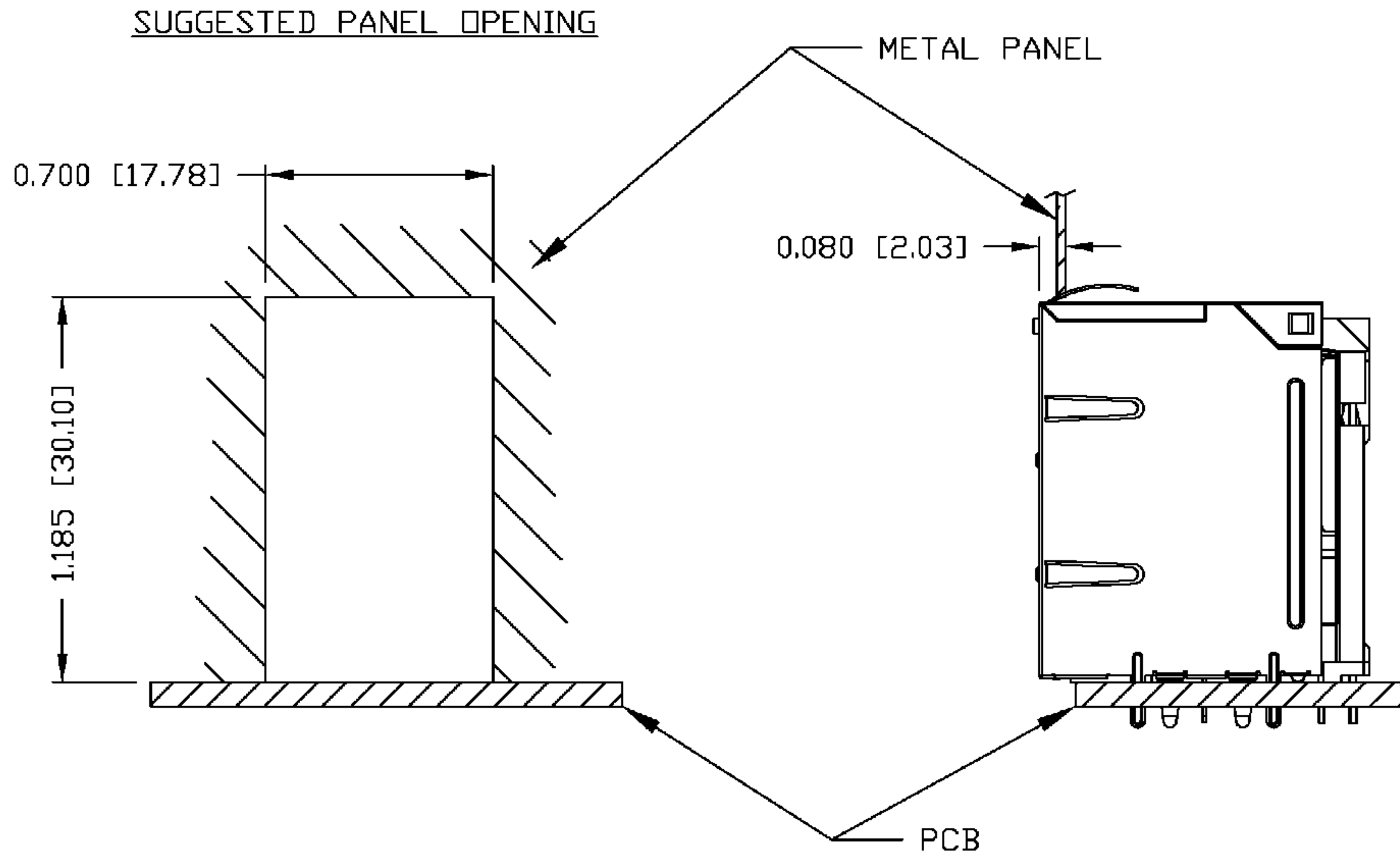
USB MECHANICAL:

MATING FORCE: 35 NEWTONS MAXIMUM  
 UNMATING FORCE: 10 NEWTONS MINIMUM  
 CONTACT: PROSPHER BRONZE,  
 30 MICRO-INCH GOLD PLATING ON CONTACT AREA  
 AND TIN/LEAD ON SOLDER TAIL.

ORIGINATED BY BILL/KEUNG	DATE 08-15-05	TITLE gigabit MagJack® Combo (Dual Stuff Option, 8 core)	PART NO. / DRAWING NO. 0862-1J1T-43	STANDARD DIM. TOL. IN INCH	[ ] METRIC DIM. AS REFERENCE	
DRAWN BY QIN	DATE 08-15-05		FILE NAME 08621J1T43G.DWG	.X .XX .XXX	UNIT : INCH [mm] SCALE : N/A	REV. : G SIZE : A4 PAGE : 4



THE INFORMATION CONTAINED HEREIN IS CONSIDERED "PROPRIETARY" TO BEL FUSE INC. AND SHALL NOT BE COPIED, REPRODUCED OR DISCLOSED WITHOUT THE WRITTEN APPROVAL OF BEL FUSE INC.



NOTE:

THE DISTANCE OF PANEL INSIDE SURFACE RELATIVE TO FRONT SURFACE OF PART IS ONLY A SUGGESTION. IN CASE THIS DISTANCE IS DIFFERENT, THE REQUIRED PANEL OPENING DIMENSIONS CHANGE ACCORDINGLY.

PACKING INFORMATION

PACKING TRAY : 0200-9999-A3

PACKING QUANTITY : 42 PCS FINISHED GOODS PER TRAY

10 TRAYS (420PCS FINISHED GOODS) PER CARTON BOX

NOTE : CARDBOARDS ARE PLACED BETWEEN LAYERS OF PACKING TRAY INSIDE CARTON BOX (INCLUDE THE UPPERMOST AND LOWERMOST TRAY)

ORIGINATED BY	DATE	TITLE	PART NO. / DRAWING NO.	STANDARD DIM. TOL. IN INCH	[ ] METRIC DIM. AS REFERENCE
BILL/KEUNG	08-15-05	gigabit MagJack® Combo (Dual Stuff Option, 8 core)	0862-1J1T-43	.X	UNIT : INCH [mm] REV. : G
DRAWN BY	DATE		FILE NAME	.XX	SCALE : N/A SIZE : A4
QIN	08-15-05		08621J1T43G.DWG	.XXX ±0.005	SCALE : N/A SIZE : A4 PAGE : 5