

THE INFORMATION CONTAINED HEREIN IS CONSIDERED 'PROPRIETARY' TO BEL FUSE INC. AND SHALL NOT BE COPIED, REPRODUCED OR DISCLOSED WITHOUT THE WRITTEN APPROVAL OF BEL FUSE INC.



ELECTRICAL CHARACTERISTICS @ 25°C

TURNS RATIO

TP1	1CT : 1CT ±2%
TP2	1CT : 1CT ±2%
TP3	1CT : 1CT ±2%
TP4	1CT : 1CT ±2%

OCL @ 100kHz, 20mVRMS AND 24mA DC BIAS FROM 0°C TO 70°C
PAIRS (1-2) AND (3-6) 350µH MIN.

OCL @ 100kHz, 20mVRMS AND 8mA DC BIAS FROM 0°C TO 70°C
PAIRS (4-5) AND (7-8) 350µH MIN.

DCR PINS (11-1), (11-2), (12-3) & (12-6) 0.6 OHMS MAX

DCR IMBALANCE(SAMPLE TEST)

I (VC11-1) - (VC11-2)I and I (VC12-3) - VC12-6)I 0.03 OHMS MAX

INSERTION LOSS

0.1MHz TO 1MHz	-1.1 dB MAX
1MHz TO 65MHz	-0.5 dB MAX
65MHz TO 100MHz	-0.8 dB MAX
100MHz TO 125MHz	-1.2 dB MAX

RET. LOSS (MIN) @ 100OHMS

0.5MHz-40MHz	-18 dB
50MHz-100MHz	-12+20LOG(f/80MHz) dB

CM TO CM REJ

100kHz - 100MHz -28 dB MIN

CM TO DM REJ

100kHz - 100MHz -35 dB MIN

CROSS TALK

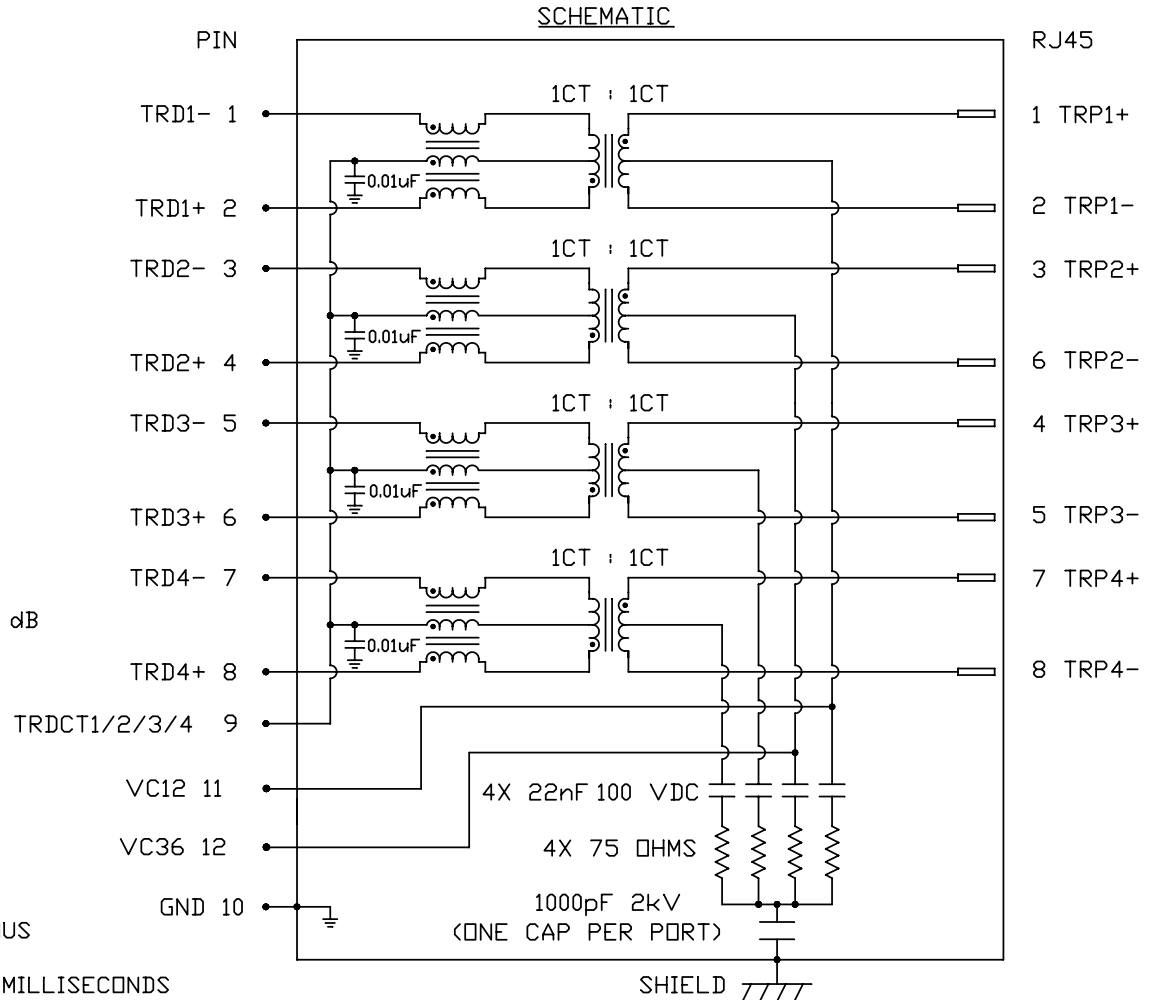
1MHz-100MHz -30dB MIN

HIPOT (Isolation Voltage):

100% OF PRODUCTION TESTED TO COMPLY WITH IEEE 802.3 ISOLATION REQUIREMENTS 2250 VDC

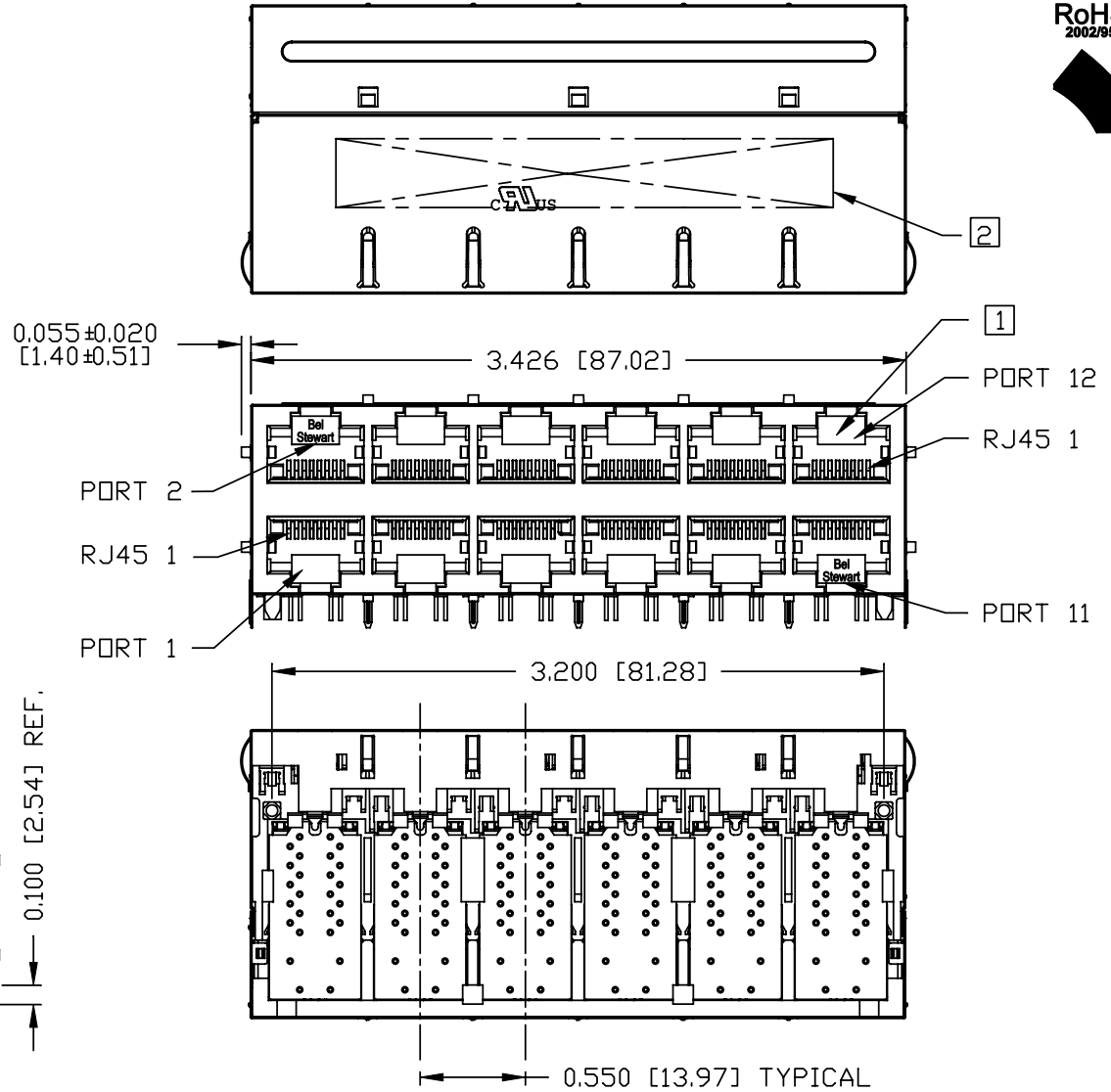
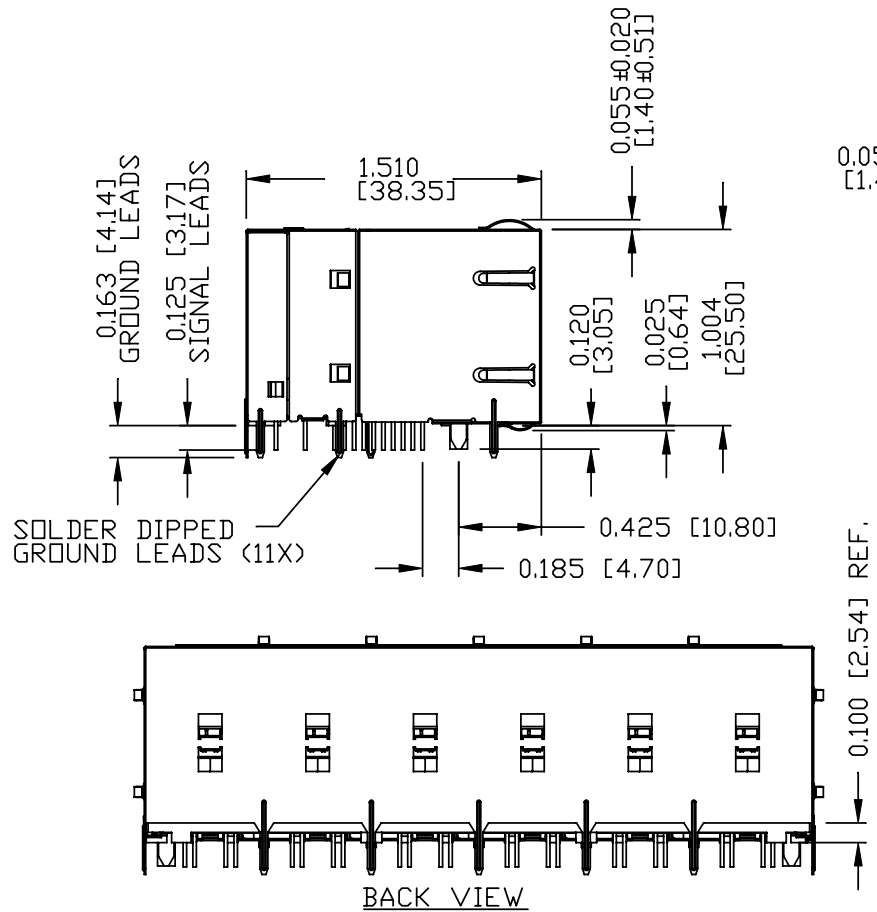
BALANCED DC LINE CURRENT

720 mA MAX.
@ 57 VDC CONTINUOUS
1.2 A MAX.
@ 57 VDC for 200 MILLISECONDS



ORIGINATED BY	DATE	TITLE	PART NO. / DRAWING NO.	STANDARD DIM.	[] METRIC DIM. AS REFERENCE			
CHOW WANGCHUNG	11-01-10	2X6 gigabit MagJack® PoE+,24mA PATENTED	0854-2X6R-W8	TOL. IN INCH		UNIT : INCH [mm]		REV. : D
DRAWN BY	DATE			FILE NAME	.X	SCALE : N/A		SIZE : A4
LEE WEIDE	11-01-10	0854-2X6R-W8_D.DWG	.XX	1000pF 2kV (ONE CAP PER PORT)		PAGE : 2		

THE INFORMATION CONTAINED HEREIN IS CONSIDERED "PROPRIETARY" TO BEL FUSE INC. AND SHALL NOT BE COPIED, REPRODUCED OR DISCLOSED WITHOUT THE WRITTEN APPROVAL OF BEL FUSE INC.



ORIGINATED BY CHEN BILL	DATE 11-01-10
DRAWN BY HE ZHEN	DATE 11-01-10

TITLE 2X6 glgabit MagJack® PoE+,24mA PATENTED
--

PART NO. / DRAWING NO. 0854-2X6R-W8
FILE NAME 0854-2X6R-W8_D.DWG

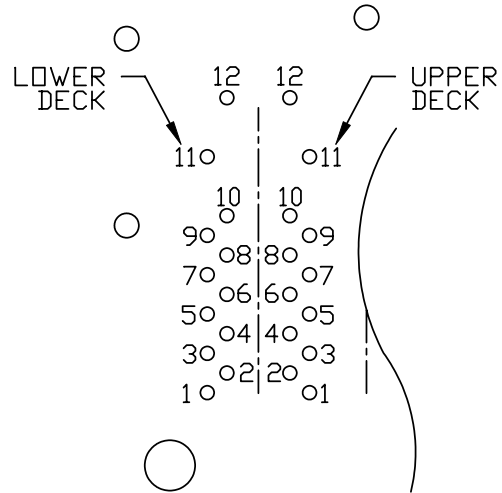
STANDARD DIM. TOL. IN INCH
.X
.XX
.XXX ±0.010

[] METRIC DIM. AS REFERENCE	REV. : D
UNIT : INCH [mm]	SIZE : A4
SCALE : N/A	PAGE : 3



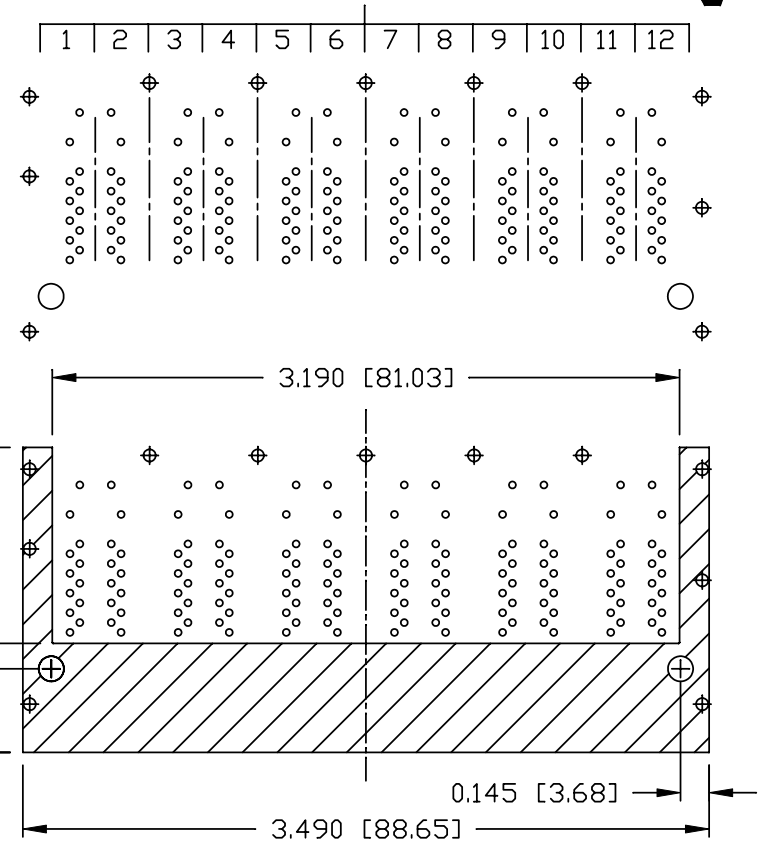
THE INFORMATION CONTAINED HEREIN IS CONSIDERED "PROPRIETARY" TO BEL FUSE INC. AND SHALL NOT BE COPIED, REPRODUCED OR DISCLOSED WITHOUT THE WRITTEN APPROVAL OF BEL FUSE INC.

RoHS
2002/95/EC



12	VC36
11	VC12
10	GND
9	TRDCT1/2/3/4
8	TRD 4+
7	TRD 4-
6	TRD 3+
5	TRD 3-
4	TRD 2+
3	TRD 2-
2	TRD 1+
1	TRD 1-

PORT ASSIGNMENT
(COMPONENT SIDE VIEW)



PIN-OUT INFORMATION
(COMPONENT SIDE VIEW)

NOTES:

- PLASTIC HOUSING: THERMOPLASTIC PBT
FLAMMABILITY RATING ON UL 94V-0
- CONTACT PLATING: 50 MICRO-INCH HARD GOLD PLATING
- OUTPUT PINS: TIN-COATED COPPER WIRE, DIA 0.018 INCH.
- METAL SHIELD: NICKEL PLATED ON COPPER ALLOY.
(ALL GROUND LEADS ARE SOLDER DIPPED)

- JACK CAVITY CONFORMS TO FCC RULES AND REGULATIONS,PART 68 SUBPART F.
- MARK PART WITH MFG LOGO, PART NUMBER, DATE CODE, MFG NAME AND PATENTED.
- RoHS COMPLIANCE, PER EU DIRECTIVE 2002/95/EC.
UL RECOGNIZED - FILE #E196366 AND E169987.
- THE PRODUCT IS PATENT PRODUCT. THE PATENT NUMBER ARE
U.S. PAT. 5,736,910 AND U.S. PAT. 6,840,817 AND U.S. PAT. 7,123,117.

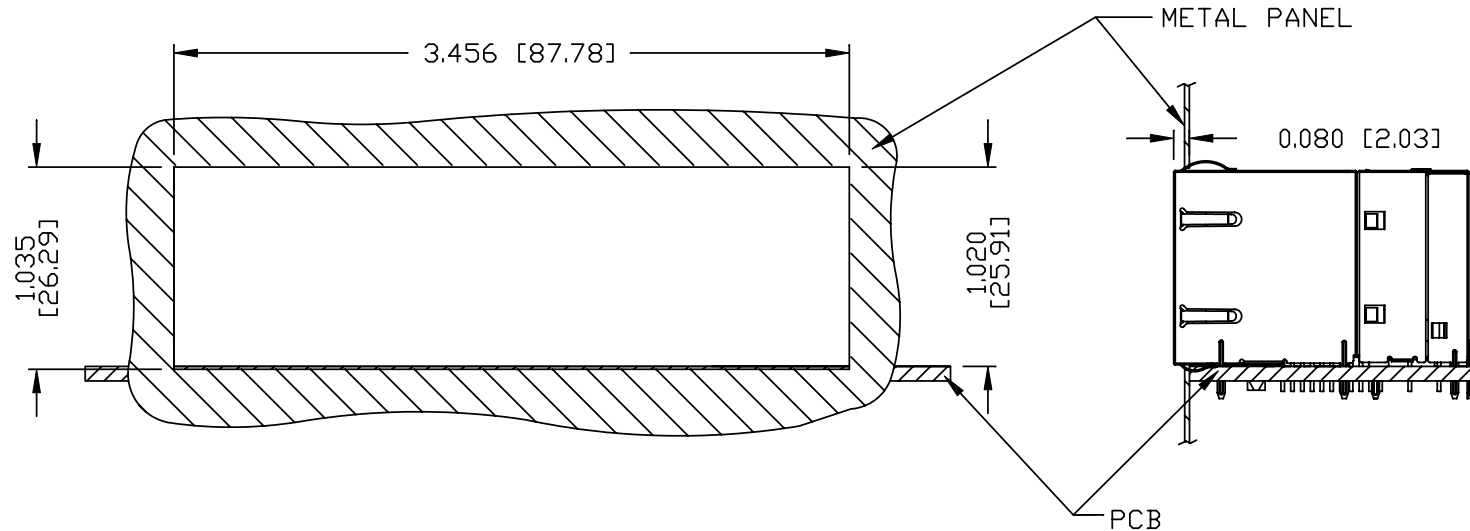
THE SHADED AREA ON THE CUSTOMER BOARD ARE RECOMMENDED TO BE CLEAR OFF ANY VIA HOLE OR COMPONENT PAD.

ORIGINATED BY CHEN BILL	DATE 11-01-10	TITLE 2X6 gigabit MagJack® PoE+,24mA PATENTED	PART NO. / DRAWING NO. 0854-2X6R-W8		STANDARD DIM. TOL. IN INCH		[] METRIC DIM. AS REFERENCE		bel COMPONENTS FOR A CONNECTED PLANET
			FILE NAME 0854-2X6R-W8_D.DWG		.X .XX .XXX	±0.004	UNIT : INCH [mm] SCALE : N/A	REV. : D SIZE : A4 PAGE : 4	

THE INFORMATION CONTAINED HEREIN IS CONSIDERED "PROPRIETARY" TO BEL FUSE INC. AND SHALL NOT BE COPIED, REPRODUCED OR DISCLOSED WITHOUT THE WRITTEN APPROVAL OF BEL FUSE INC.



SUGGESTED PANEL OPENING



NOTE:

THE DISTANCE OF PANEL INSIDE SURFACE RELATIVE TO FRONT SURFACE OF PART IS ONLY A SUGGESTION. IN CASE THIS DISTANCE IS DIFFERENT, THE REQUIRED PANEL OPENING DIMENSIONS CHANGE ACCORDINGLY.

PACKING INFORMATION

PACKING TRAY : 0200-9999-B7 (TOP)

0200-9999-B8 (BOTTOM)

PACKING QUANTITY : 15 PCS FINISHED GOODS PER TRAY.

5 TRAYS (75 PCS FINISHED GOODS) PER CARTON BOX.

REMARK : CARDBOARDS ARE PLACED BETWEEN LAYERS OF PACKING TRAY INSIDE CARTON BOX.

(INCLUDE THE UPPERMOST AND LOWERMOST TRAY)

ORIGINATED BY CHEN BILL	DATE 11-01-10	TITLE 2X6 gigabit MagJack® PoE+,24mA PATENTED	PART NO. / DRAWING NO. 0854-2X6R-W8	STANDARD DIM. TOL. IN INCH	[] METRIC DIM. AS REFERENCE	
	DRAWN BY HE ZHEN		DATE 11-01-10	FILE NAME 0854-2X6R-W8_D.DWG	.X .XX .XXX	UNIT : INCH [mm] SCALE : N/A ⊕

