



ATTENTION
OBSERVE PRECAUTIONS
FOR HANDLING
ELECTROSTATIC
DISCHARGE
SENSITIVE
DEVICES

Part Number: KA-5630SYLZ4S

Super Bright Yellow

Features

- Size (mm): 5.6 x 3.0 x 0.77.
- Suitable for all SMT assembly and solder process.
- Driver Current: 150mA
- Available on tape and reel.
- White SMD package, silicone resin.
- Moisture sensitivity level : level 2a.
- RoHS compliant.

Description

The source color devices are made with AlGaInP Light Emitting Diode.

Static electricity and surge damage the LEDs.

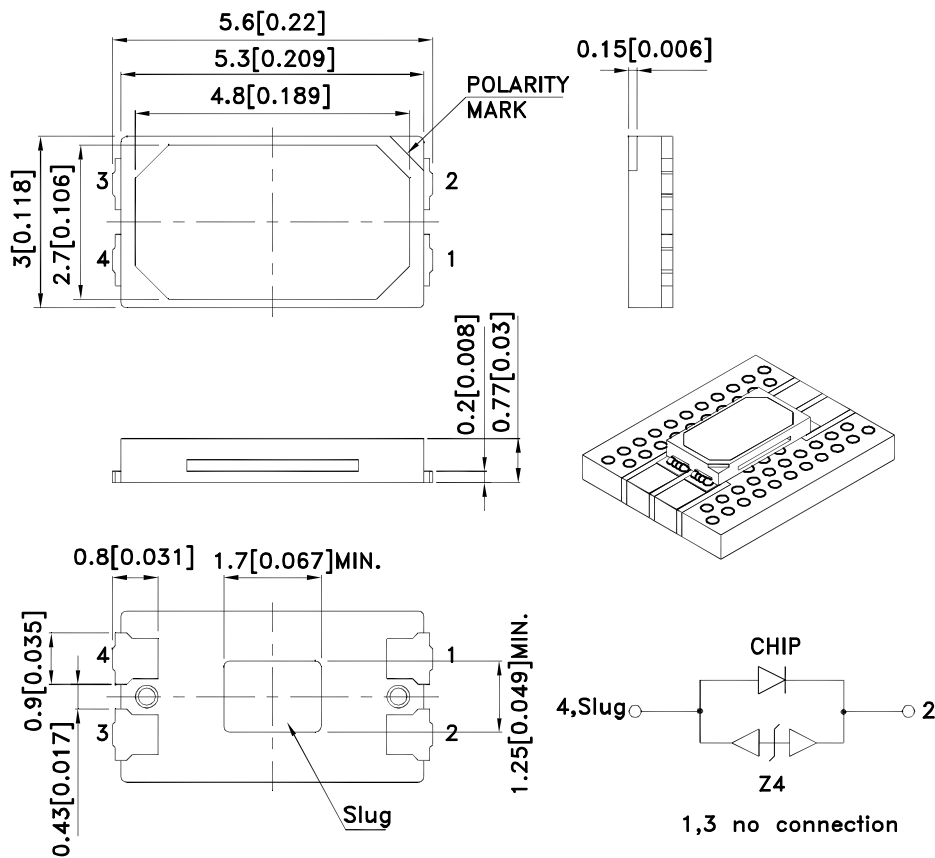
It is recommended to use a wrist band or anti-electrostatic glove when handling the LEDs.

All devices, equipment and machinery must be electrically grounded.

Applications

- LCD TV / Monitor Backlight.
- Architectural lighting.
- Decorative lighting.

Package Dimensions



Notes:

1. All dimensions are in millimeters (inches).
2. Tolerance is $\pm 0.25(0.01)$ unless otherwise noted.
3. The specifications, characteristics and technical data described in the datasheet are subject to change without notice.
4. The device has a single mounting surface. The device must be mounted according to the specifications.

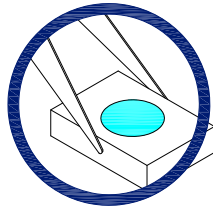


Handling Precautions

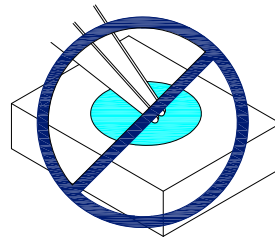
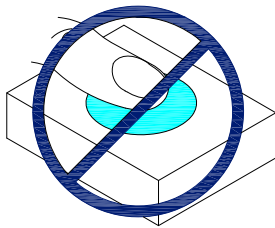
Compare to epoxy encapsulant that is hard and brittle, silicone is softer and flexible. Although its characteristic significantly reduces thermal stress, it is more susceptible to damage by external mechanical force.

As a result, special handling precautions need to be observed during assembly using silicone encapsulated LED products. Failure to comply might lead to damage and premature failure of the LED.

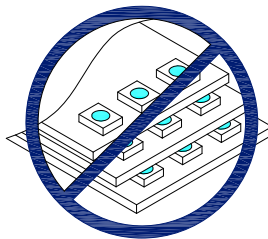
1. Handle the component along the side surfaces by using forceps or appropriate tools.



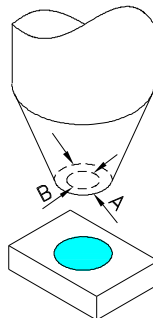
2. Do not directly touch or handle the silicone lens surface. It may damage the internal circuitry.



3. Do not stack together assembled PCBs containing exposed LEDs. Impact may scratch the silicone lens or damage the internal circuitry.



- 4.1. The inner diameter of the SMD pickup nozzle should not exceed the size of the LED to prevent air leaks.
- 4.2. A pliable material is suggested for the nozzle tip to avoid scratching or damaging the LED surface during pickup.
- 4.3. The dimensions of the component must be accurately programmed in the pick-and-place machine to insure precise pickup and avoid damage during production.



5. As silicone encapsulation is permeable to gases, some corrosive substances such as H_2S might corrode silver plating of leadframe. Special care should be taken if an LED with silicone encapsulation is to be used near such substances.

Selection Guide

Part No.	Dice	Lens Type	Iv (cd) [2] @ 150mA		Φv (lm) [2] @ 150mA*		Viewing Angle [1]
			Min.	Typ.	Min.	Typ.	2θ1/2
KA-5630SYLZ4S	Super Bright Yellow (AlGaInP)	Water Clear	2.3	3	10	14	120°

Notes:

1. θ1/2 is the angle from optical centerline where the luminous intensity is 1/2 of the optical peak value.
2. Luminous intensity/ luminous Flux: +/-15%. *LEDs are binned according to their luminous flux.
3. Luminous intensity/ luminous Flux value is traceable to the CIE127-2007 compliant national standards.

Absolute Maximum Ratings at Ta=25°C

Parameter	Symbol	Value	Unit
Power dissipation	P _D	525	mW
Reverse Voltage	V _R	5	V
Junction temperature	T _J	110	°C
Operating Temperature	T _{op}	-40 To +100	°C
Storage Temperature	T _{stg}	-40 To +110	°C
DC Forward Current[1]	I _F	150	mA
Peak Forward Current [2]	I _{FM}	270	mA
Electrostatic Discharge Threshold (HBM)		8000	V
Thermal Resistance (Junction/ambient) [1]	R _{th(j-a)}	178	°C/W
Thermal resistance [1] (Junction/solder point)	R _{th(j-s)}	78	°C/W

Notes:

1. R_{th(j-a)} Results from mounting on PC board FR4 (pad size≥16 mm² per pad),
2. 1/10 Duty Cycle, 0.1ms Pulse Width.

Electrical / Optical Characteristics at Ta=25°C

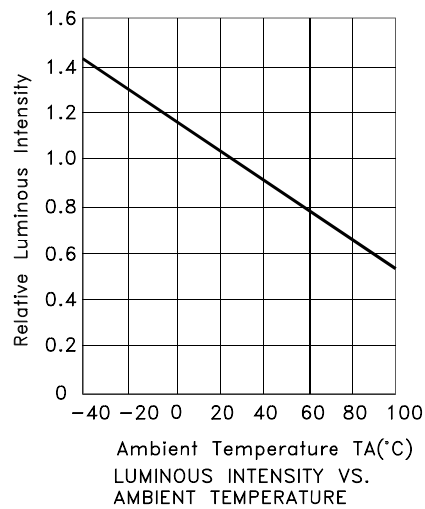
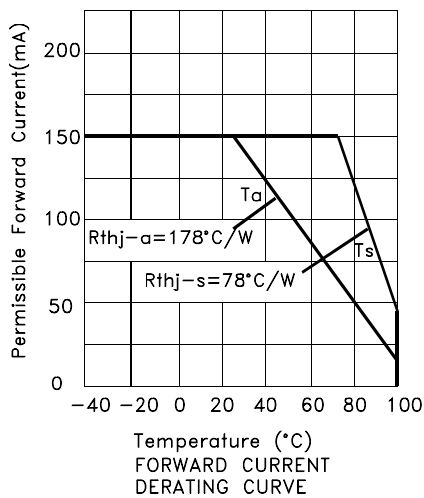
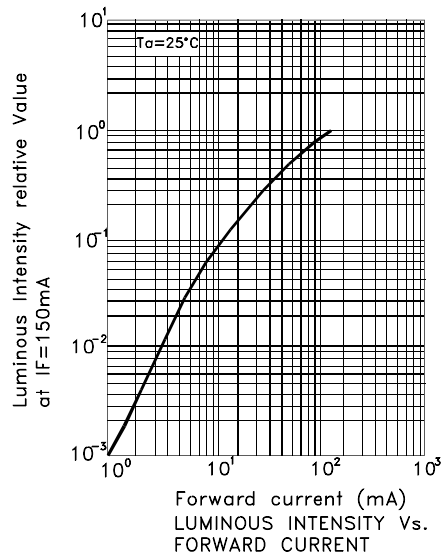
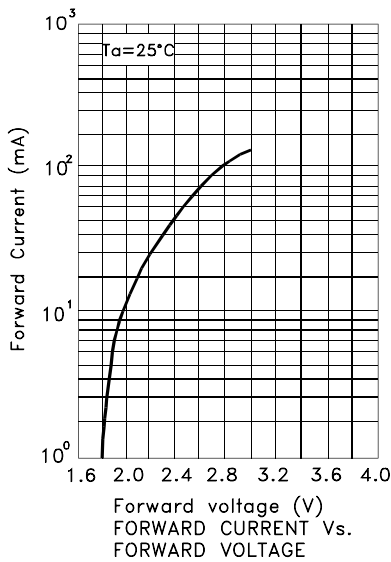
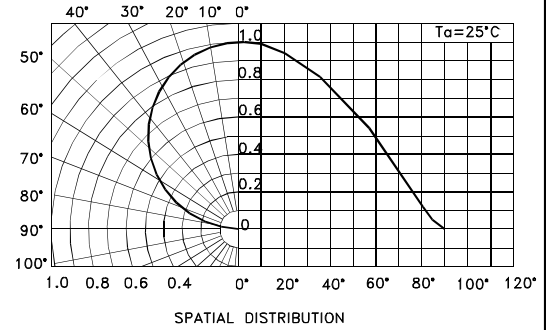
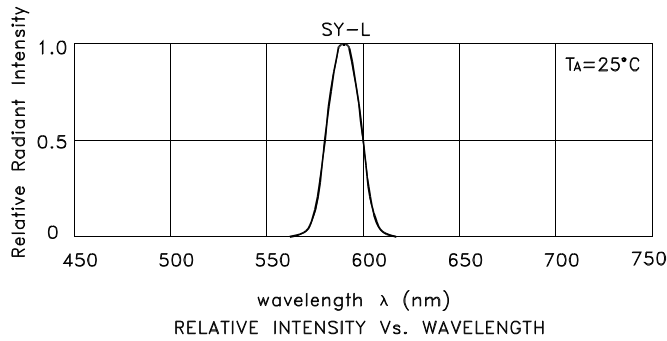
Parameter	Symbol	Value			Unit
		Min.	Typ.	Max.	
Wavelength at peak emission I _F =150mA	λ _{peak}		590		nm
Dominant Wavelength I _F =150mA	λ _{dom} [1]		590		nm
Spectral bandwidth at 50%Φ _{REL MAX} I _F =150mA	Dλ		20		nm
Forward Voltage I _F =150mA	V _F [2]	2.5	3.0	3.5	V
Allowable Reverse Current	I _R			85	mA
Temperature coefficient of λ _{peak} I _F =150mA, -10°C≤T≤100°C	TC _{λ_{peak}}		0.13		nm/°C
Temperature coefficient of λ _{dom} I _F =150mA, -10°C≤T≤100°C	TC _{λ_{dom}}		0.10		nm/°C
Temperature coefficient of V _F I _F =150mA, -10°C≤T≤100°C	TC _V		-3.3		mV/°C

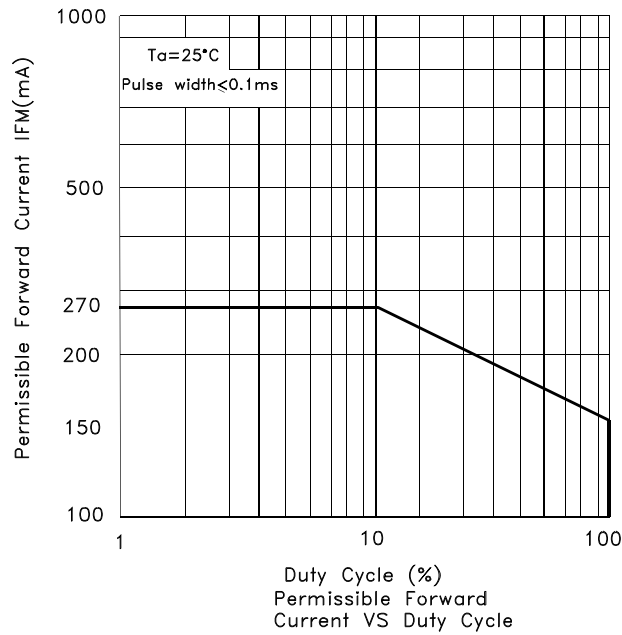
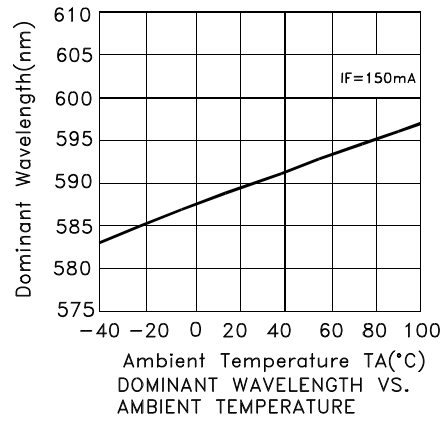
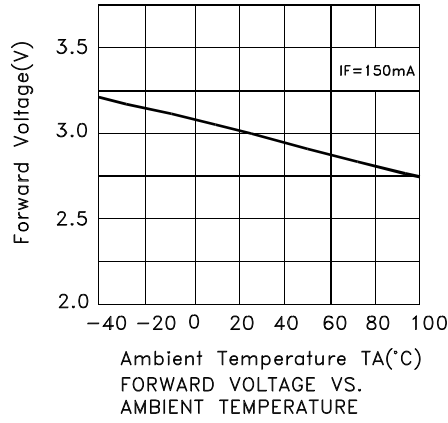
Notes:

- 1.The dominant Wavelength (λ_d) above is the setup value of the sorting machine. (Tolerance λ_d : ±1nm.)
- 2.Forward Voltage: +/-0.1V.
- 3.Wavelength value is traceable to the CIE127-2007 compliant national standards.

Super Bright Yellow

KA-5630SYLZ4S

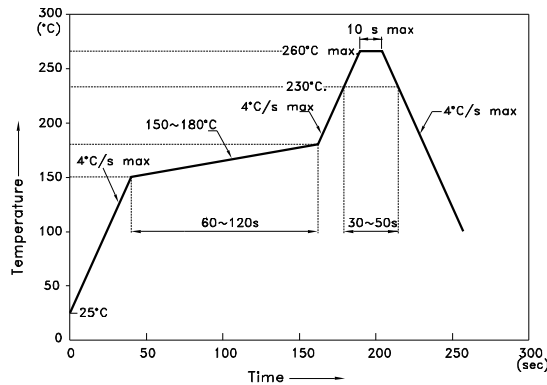




KA-5630SYLZ4S

Reflow soldering is recommended and the soldering profile is shown below.
Other soldering methods are not recommended as they might cause damage to the product.

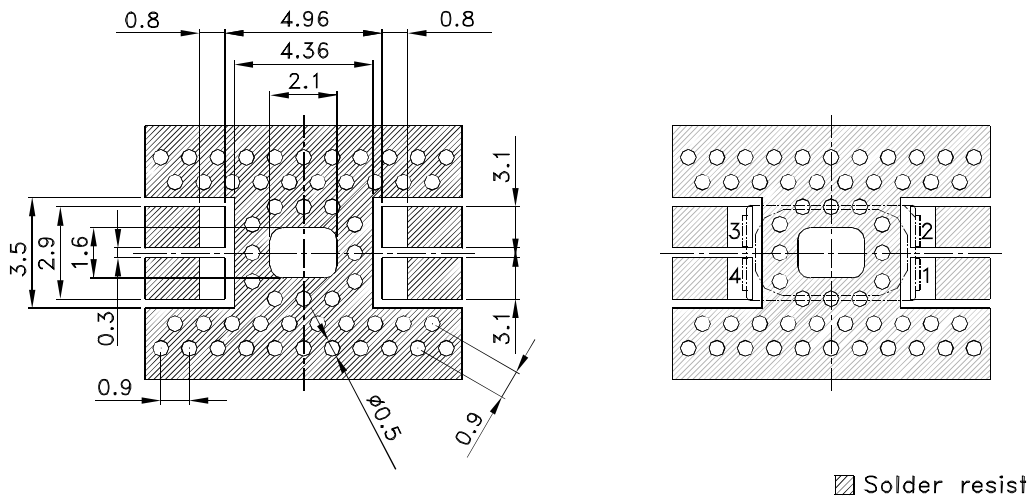
Reflow Soldering Profile For Lead-free SMT Process.



NOTES:

1. We recommend the reflow temperature 245°C(+/-5°C). The maximum soldering temperature should be limited to 260°C.
2. Don't cause stress to the epoxy resin while it is exposed to high temperature.
3. Number of reflow process shall be 2 times or less.

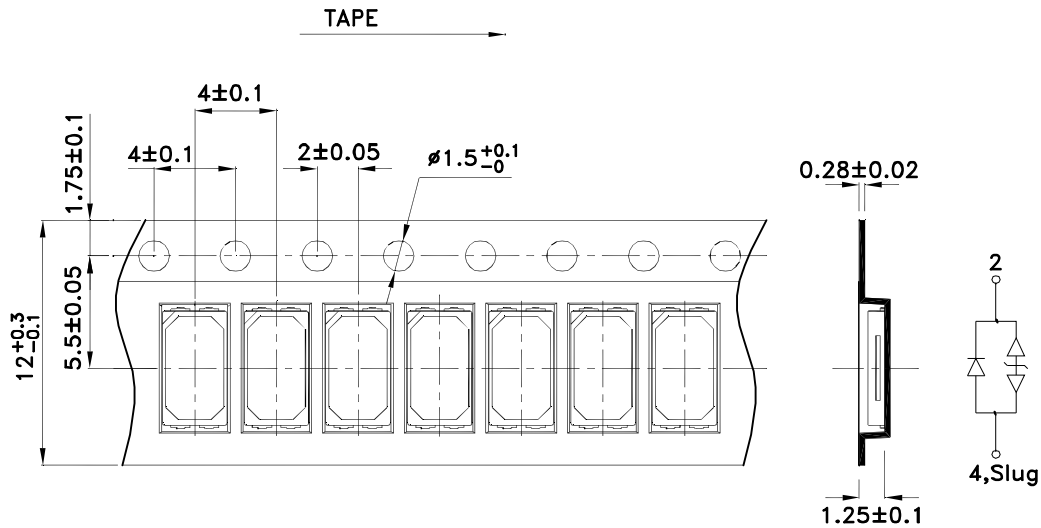
Recommended Soldering Pattern (Units : mm; Tolerance: ±0.1)



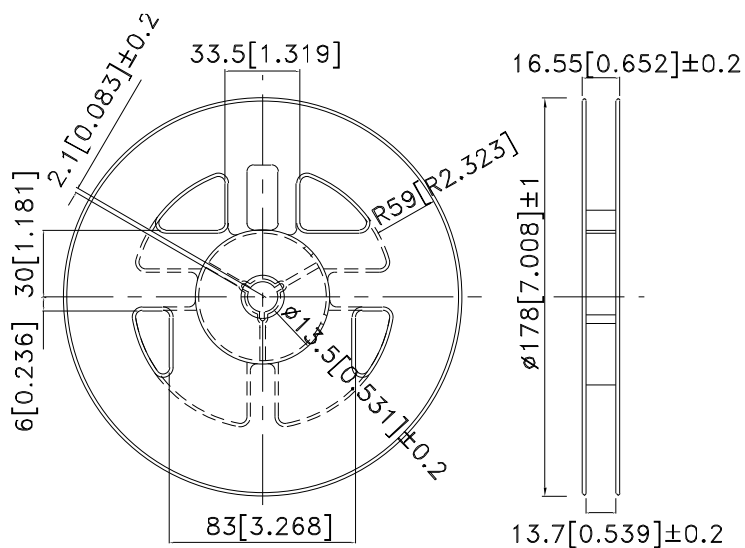
0.8mm FR4-Based Boards

For both the open via PTH and filled and capped via design, the finished hole diameter is 0.5mm. A smaller diameter will lead to an increase of thermal resistance. The recommended distance between two holes is 0.4 mm. This results in a minimal pitch of 0.9mm between the vias.

Tape Dimensions (Units : mm)

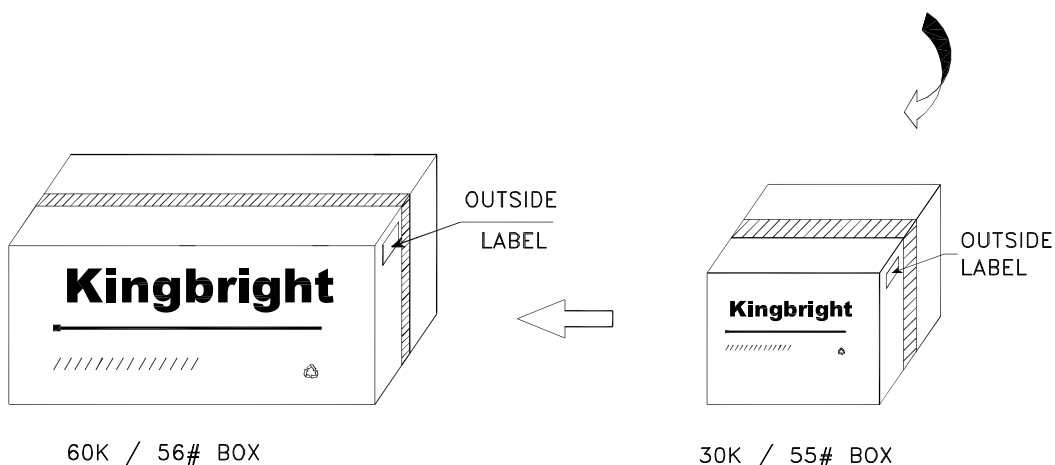
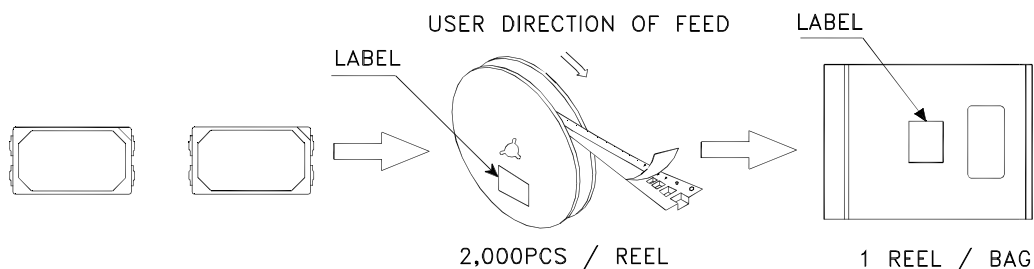


Reel Dimension



PACKING & LABEL SPECIFICATIONS

KA-5630SYLZ4S



<h2 style="margin: 0;">Kingbright</h2>	
P/N0: KA-5630xxx	
QTY: 2,000 pcs	Q.C. Q C xx xx xxxx PASSED
S/N: XXXX	
CODE: CIE:XXX	
LOT NO:	
 <small>XXXXXXXXXXXXXXXXXXXX</small>	
RoHS Compliant	