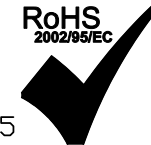


THE INFORMATION CONTAINED HEREIN IS CONSIDERED "PROPRIETARY" TO BEL FUSE INC. AND SHALL NOT BE COPIED, REPRODUCED OR DISCLOSED WITHOUT THE WRITTEN APPROVAL OF BEL FUSE INC.

RoHS  
2002/95/EC



### ELECTRICAL CHARACTERISTICS @ 25°C

#### URNS RATIO

TP1	1CT : 1CT ±2%
TP2	1CT : 1CT ±2%
TP3	1CT : 1CT ±2%
TP4	1CT : 1CT ±2%

OCL @ 100kHz/100mVRMS 350µH MIN.  
8mA DC BIAS (0°C - 70°C)

#### INS. LOSS

0.1MHz TO 1MHz	-1.1 dB MAX
1MHz TO 65MHz	-0.5 dB MAX
65MHz TO 100MHz	-0.8 dB MAX
100MHz TO 125MHz	-1.2 dB MAX

#### RET. LOSS (MIN) @ 100OHMS ±15%

0.5MHz-40MHz	-18 dB
40MHz-100MHz	-12+20LOG(f/80MHz) dB

#### CM TO CM REJ

100kHz - 100MHz -30 dB MIN

#### CM TO DM REJ

100kHz - 100MHz -35 dB MIN

#### HIPOT (Isolation Voltage):

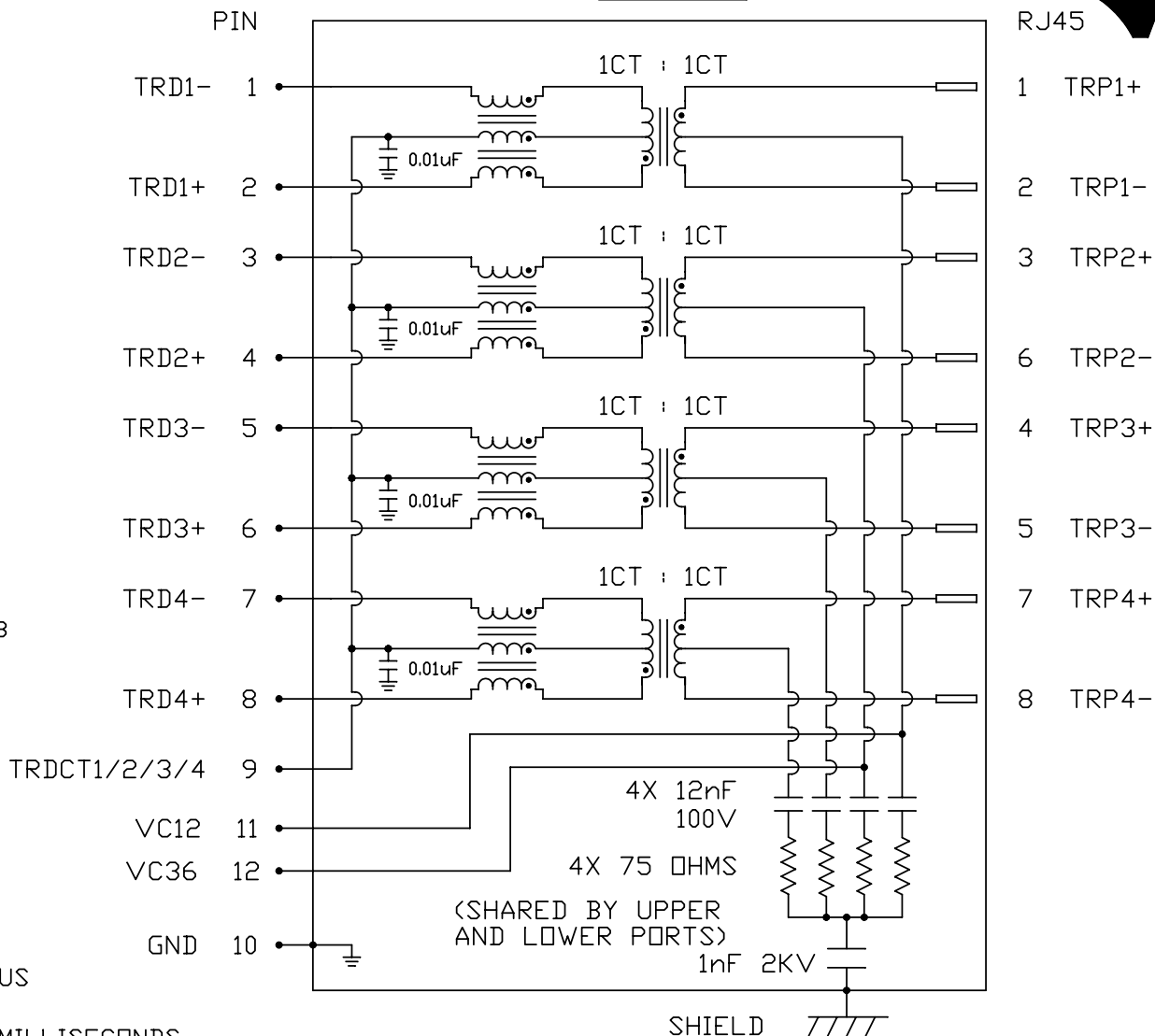
2250 VDC

100% OF PRODUCTION TESTED TO COMPLY WITH IEEE 802.3 ISOLATION REQUIREMENTS.

#### BALANCED DC LINE CURRENT

350 mA MAX.  
@ 57 VDC CONTINUOUS  
500 mA MAX.  
@ 57 VDC for 200 MILLISECONDS

### SCHEMATIC



ORIGINATED BY	DATE
CHOW WANGCHUNG	07-15-09
DRAWN BY	DATE
LEE WEIDE	07-15-09

TITLE	2X6 gigabit MagJack® PoE
FILE NAME	0854-2X6R-66A-F PATENTED

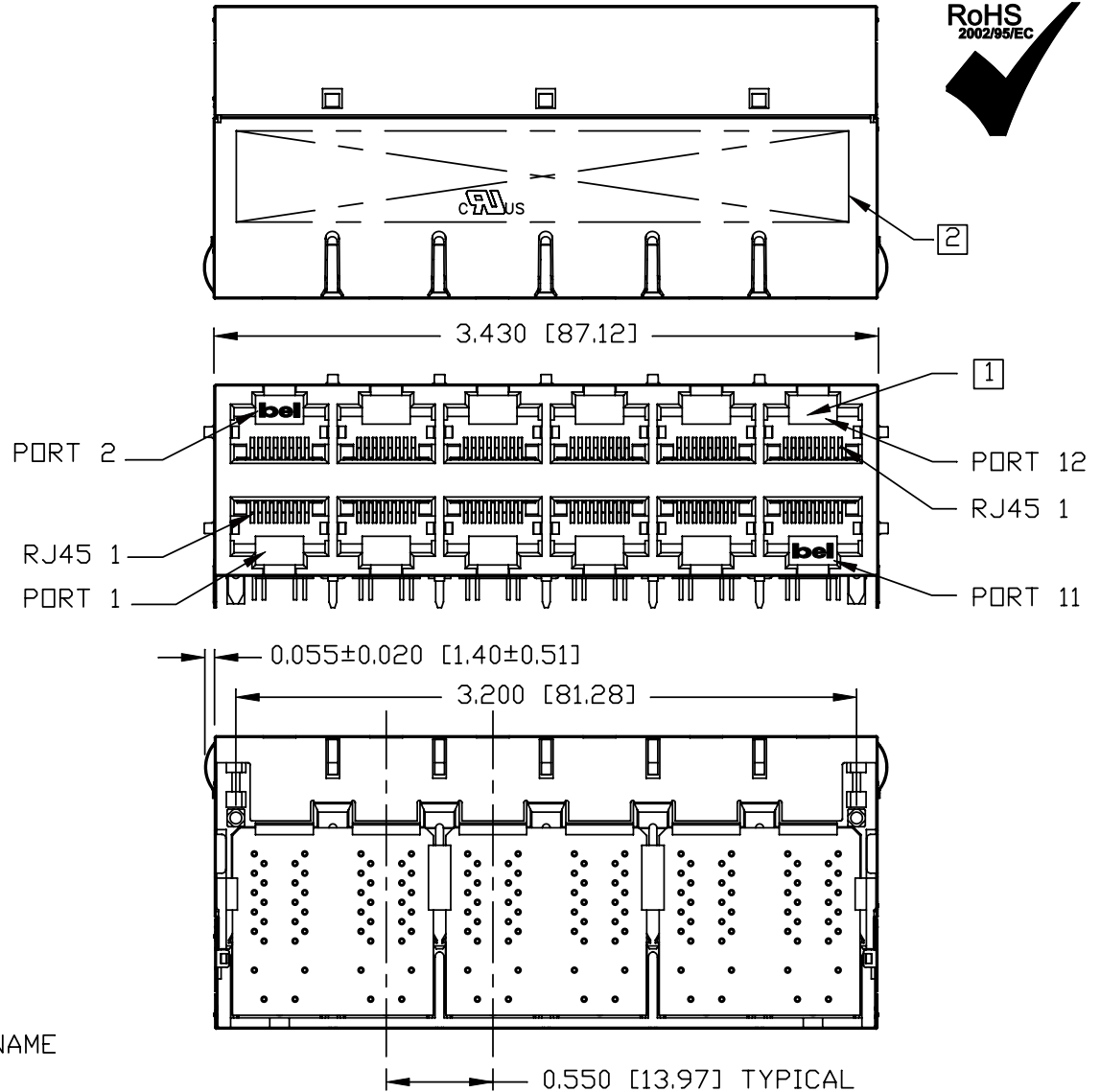
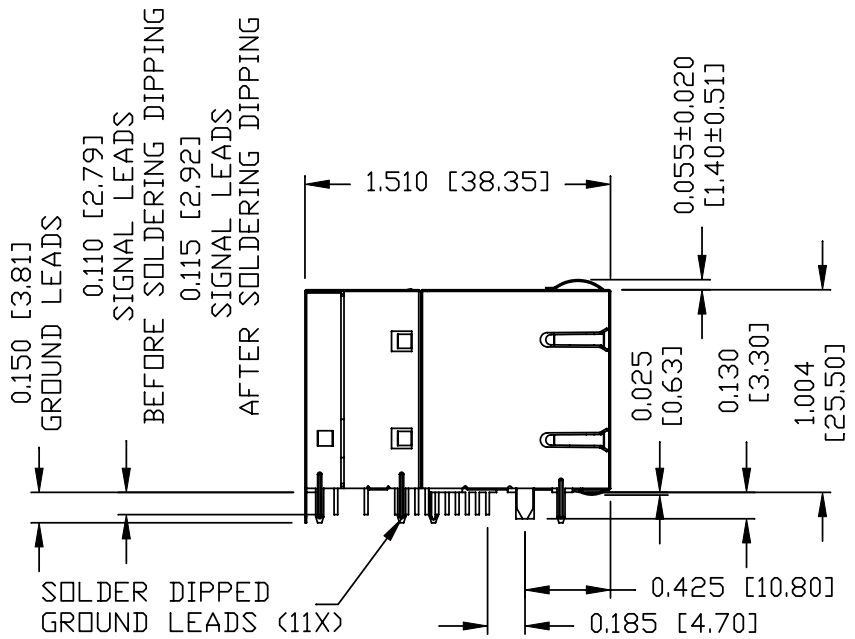
PART NO. / DRAWING NO.	08542X6R66AF
STANDARD DIM. TOL. IN INCH	.X .XX .XXX

[ ] METRIC DIM. AS REFERENCE
UNIT : INCH [mm]
SCALE : N/A

REV. : A
SIZE : A4
PAGE : 2



THE INFORMATION CONTAINED HEREIN IS CONSIDERED "PROPRIETARY" TO BEL FUSE INC. AND SHALL NOT BE COPIED, REPRODUCED OR DISCLOSED WITHOUT THE WRITTEN APPROVAL OF BEL FUSE INC.



- NOTES:**
- PLASTIC HOUSING: THERMOPLASTIC PBT  
FLAMMABILITY RATING UL 94V-0
  - CONTACT PLATING: 50 MICRO-INCH HARD GOLD PLATING
  - OUTPUT PINS: TIN-COATED COPPER WIRE, DIA 0.018 INCH.
  - METAL SHIELD: NICKEL PLATED ON COPPER ALLOY.  
(ALL GROUND LEADS ARE SOLDER DIPPED)

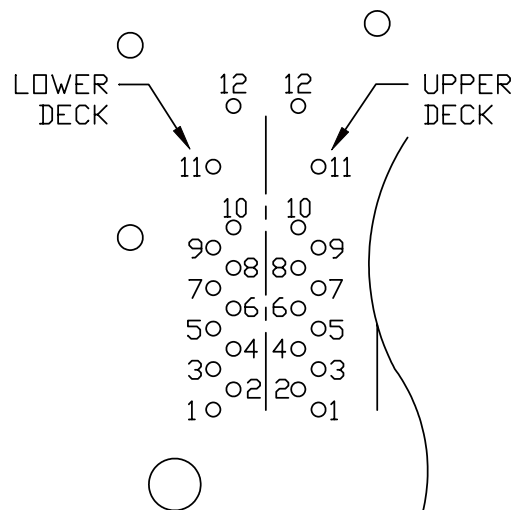
- 1. JACK CAVITY CONFORMS TO FCC RULES AND REGULATIONS, PART 68 SUBPART F.
- 2. MARK PART WITH MFG LOGO, PART NUMBER, DATE CODE, MFG NAME AND PATENTED.

UL RECOGNIZED - FILE #E196366 AND E169987.  
3. RoHS COMPLIANCE, PER EU DIRECTIVE 2002/95/EC.

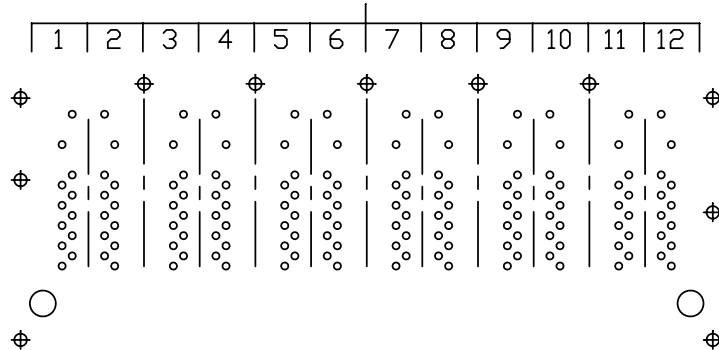
4. THE PRODUCT IS PATENTED, THE PATENT NUMBER IS U.S. PAT. 5,736,910.

ORIGINATED BY LIU QIN	DATE 07-15-09	TITLE 2X6 gigabit MagJack® PoE	PART NO. / DRAWING NO. 08542X6R66AF	STANDARD DIM. TOL. IN INCH		[ ] METRIC DIM. AS REFERENCE		
				.X		UNIT : INCH [mm]	REV. : A	
DRAWN BY XIAN JIAXIN	DATE 07-15-09	0854-2X6R-66A-F PATENTED	FILE NAME 08542X6R66AF_A.DWG	.XX		SCALE : N/A	SIZE : A4	COMPONENTS FOR A CONNECTED PLANET
				.XXX	±0.010		PAGE : 3	

THE INFORMATION CONTAINED HEREIN IS CONSIDERED "PROPRIETARY" TO BEL FUSE INC. AND SHALL NOT BE COPIED, REPRODUCED OR DISCLOSED WITHOUT THE WRITTEN APPROVAL OF BEL FUSE INC.

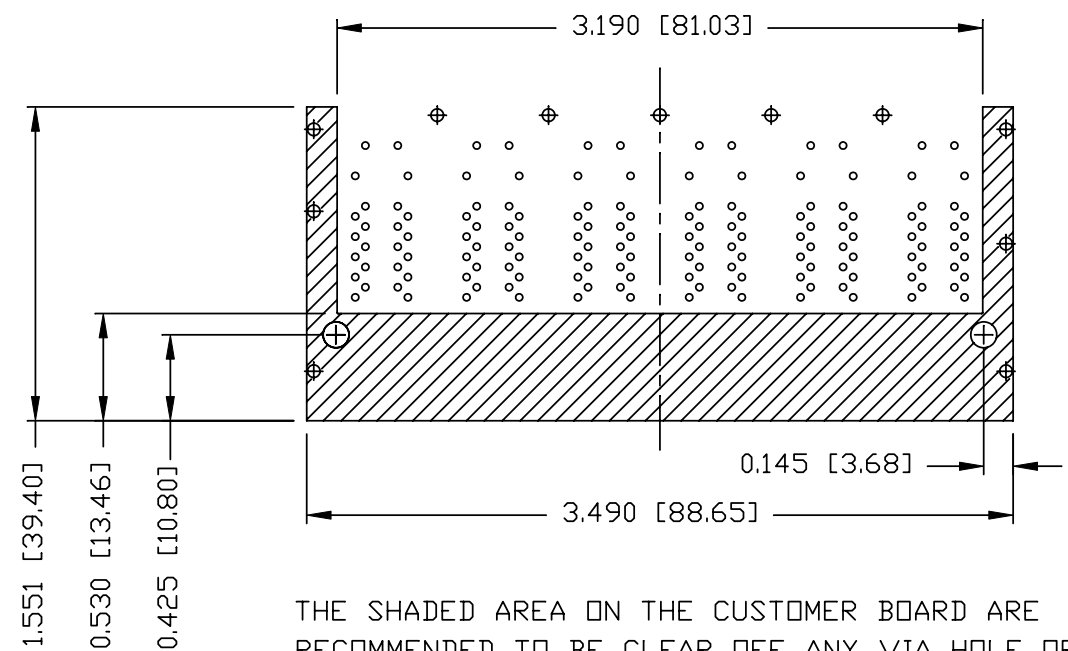


PORT ASSIGNMENT  
(COMPONENT SIDE VIEW)



PIN-OUT INFORMATION  
(COMPONENT SIDE VIEW)

12	VC36
11	VC12
10	GND
9	TRCT1/2/3/4
8	TRD 4+
7	TRD 4-
6	TRD 3+
5	TRD 3-
4	TRD 2+
3	TRD 2-
2	TRD 1+
1	TRD 1-



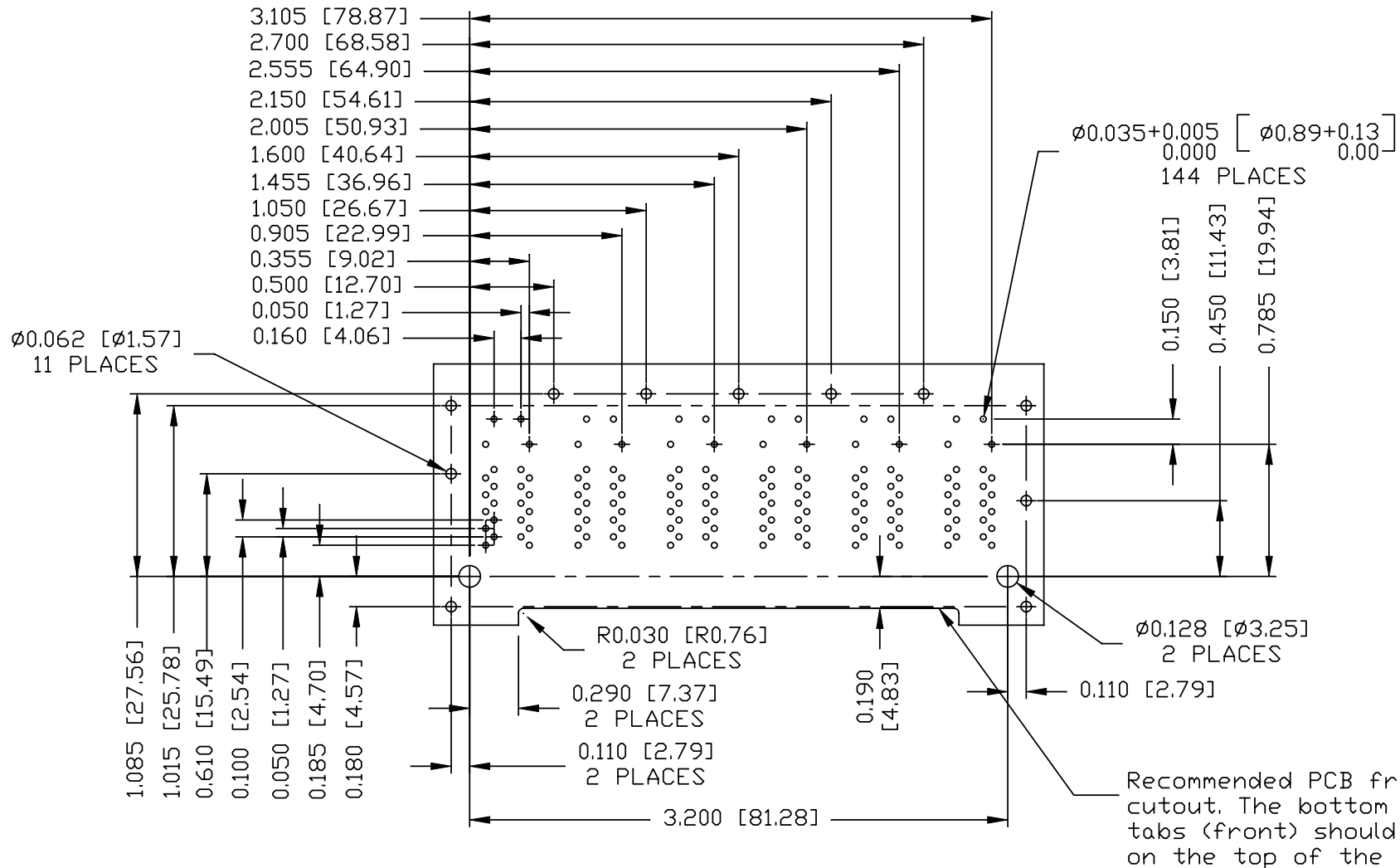
THE SHADED AREA ON THE CUSTOMER BOARD ARE RECOMMENDED TO BE CLEAR OFF ANY VIA HOLE OR COMPONENT PAD.

ORIGINATED BY LIU QIN	DATE 07-15-09	TITLE 2X6 gigabit MagJack® PoE 0854-2X6R-66A-F PATENTED	PART NO. / DRAWING NO. 08542X6R66AF	STANDARD DIM. TOL. IN INCH .X .XX .XXX ±0.004	[ ] METRIC DIM. AS REFERENCE	
					UNIT : INCH [mm]	REV. : A
DRAWN BY XIAN JIAXIN	DATE 07-15-09		FILE NAME 08542X6R66AF_A.DWG		SCALE : N/A	SIZE : A4
						PAGE : 4



THE INFORMATION CONTAINED HEREIN IS CONSIDERED "PROPRIETARY" TO BEL FUSE INC. AND SHALL NOT BE COPIED, REPRODUCED OR DISCLOSED WITHOUT THE WRITTEN APPROVAL OF BEL FUSE INC.

RoHS  
2002/95/EC



SUGGESTED FOOTPRINT  
(COMPONENT SIDE VIEW)

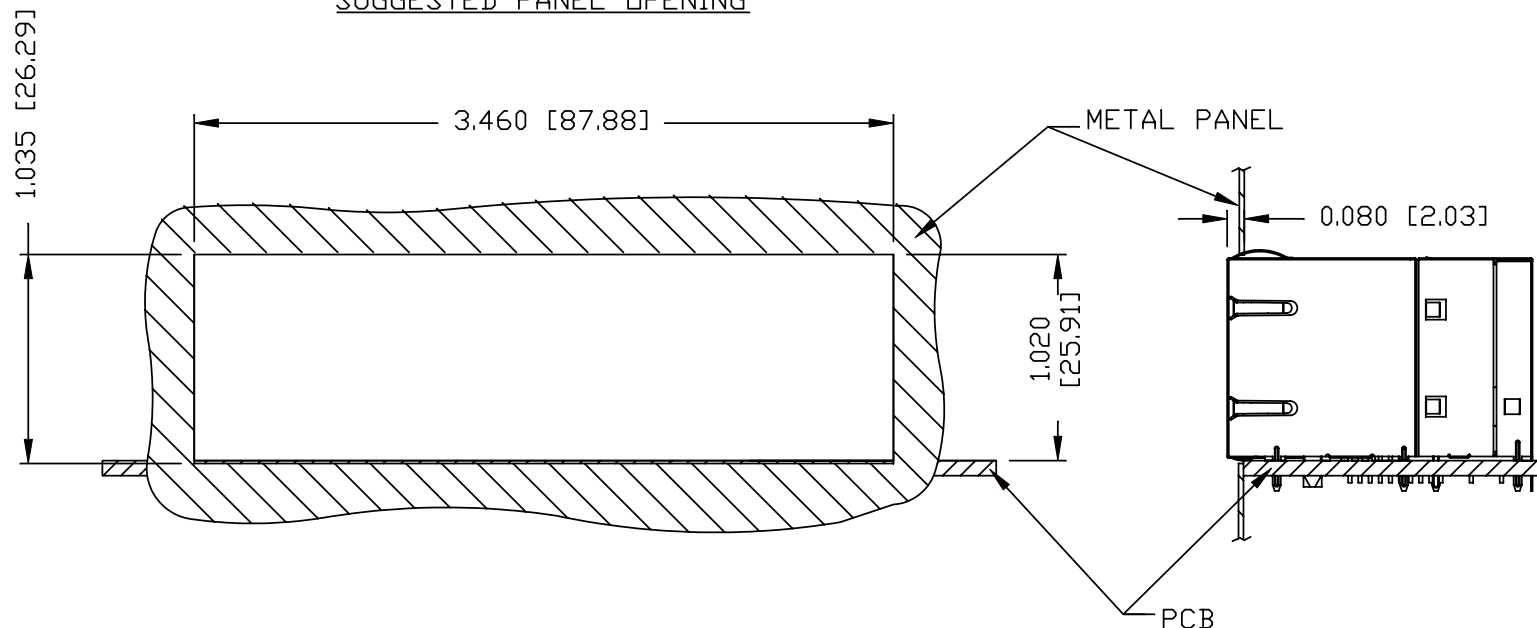
ORIGINATED BY LIU QIN	DATE 07-15-09	TITLE 2X6 gigabit MagJack® PoE 0854-2X6R-66A-F PATENTED	PART NO. / DRAWING NO. 08542X6R66AF		STANDARD DIM. TOL. IN INCH		[ ] METRIC DIM. AS REFERENCE		 COMPONENTS FOR A CONNECTED PLANET
			FILE NAME 08542X6R66AF_A.DWG		.X		UNIT : INCH [mm]	REV. : A	
DRAWN BY XIAN JIAXIN	DATE 07-15-09				.XX		SCALE : N/A	SIZE : A4	
					.XXX	±0.004		PAGE : 5	

THE INFORMATION CONTAINED HEREIN IS CONSIDERED "PROPRIETARY" TO BEL FUSE INC. AND SHALL NOT BE COPIED, REPRODUCED OR DISCLOSED WITHOUT THE WRITTEN APPROVAL OF BEL FUSE INC.

RoHS  
2002/95/EC



SUGGESTED PANEL OPENING



NOTE:

THE DISTANCE OF PANEL INSIDE SURFACE RELATIVE TO FRONT SURFACE OF PART IS ONLY A SUGGESTION. IN CASE THIS DISTANCE IS DIFFERENT, THE REQUIRED PANEL OPENING DIMENSIONS CHANGE ACCORDINGLY.

PACKING INFORMATION

PACKING TRAY : 0200-9999-B7 (TOP)  
0200-9999-B8 (BOTTOM)

PACKING QUANTITY : 15 PCS FINISHED GOODS PER TRAY.  
5 TRAYS (75 PCS FINISHED GOODS) PER CARTON BOX.

NOTE : CARDBOARDS ARE PLACED BETWEEN LAYERS OF PACKING TRAY INSIDE CARTON BOX.  
(INCLUDE THE UPPERMOST AND LOWERMOST TRAY)

ORIGINATED BY LIU QIN	DATE 07-15-09	TITLE 2X6 gigabit MagJack® PoE 0854-2X6R-66A-F PATENTED	PART NO. / DRAWING NO. 08542X6R66AF		STANDARD DIM. TOL. IN INCH		[ ] METRIC DIM. AS REFERENCE	
	DRAWN BY XIAN JIAXIN		DATE 07-15-09	FILE NAME 08542X6R66AF_A.DWG	.X .XX .XXX	±0.004	UNIT : INCH [mm] SCALE : N/A	REV. : A SIZE : A4 PAGE : 6

