

THE INFORMATION CONTAINED HEREIN IS CONSIDERED "PROPRIETARY" TO BEL FUSE INC. AND SHALL NOT BE COPIED, REPRODUCED OR DISCLOSED WITHOUT THE WRITTEN APPROVAL OF BEL FUSE INC.

RoHS  
2002/95/EC



ELECTRICAL CHARACTERISTICS @ 25°C

URNS RATIO

TP1	1CT : 1CT ±2%
TP2	1CT : 1CT ±2%
TP3	1CT : 1CT ±2%
TP4	1CT : 1CT ±2%

□CL @ 100kHz/100mVRMS 350 μH MIN.  
8mA DC BIAS (0°C - 70°C)

INS. LOSS

0.1MHz TO 1MHz	-1.1 dB MAX
1MHz TO 65MHz	-0.5 dB MAX
65MHz TO 100MHz	-0.8 dB MAX
100MHz TO 125MHz	-1.2 dB MAX

RET. LOSS (MIN) @ 100ΩHMS ±15%

0.5MHz-40MHz	-18 dB
40MHz-100MHz	-12+20LOG(f/80MHz) dB

CM TO CM REJ

100kHz - 100MHz -30 dB MIN

CM TO DM REJ

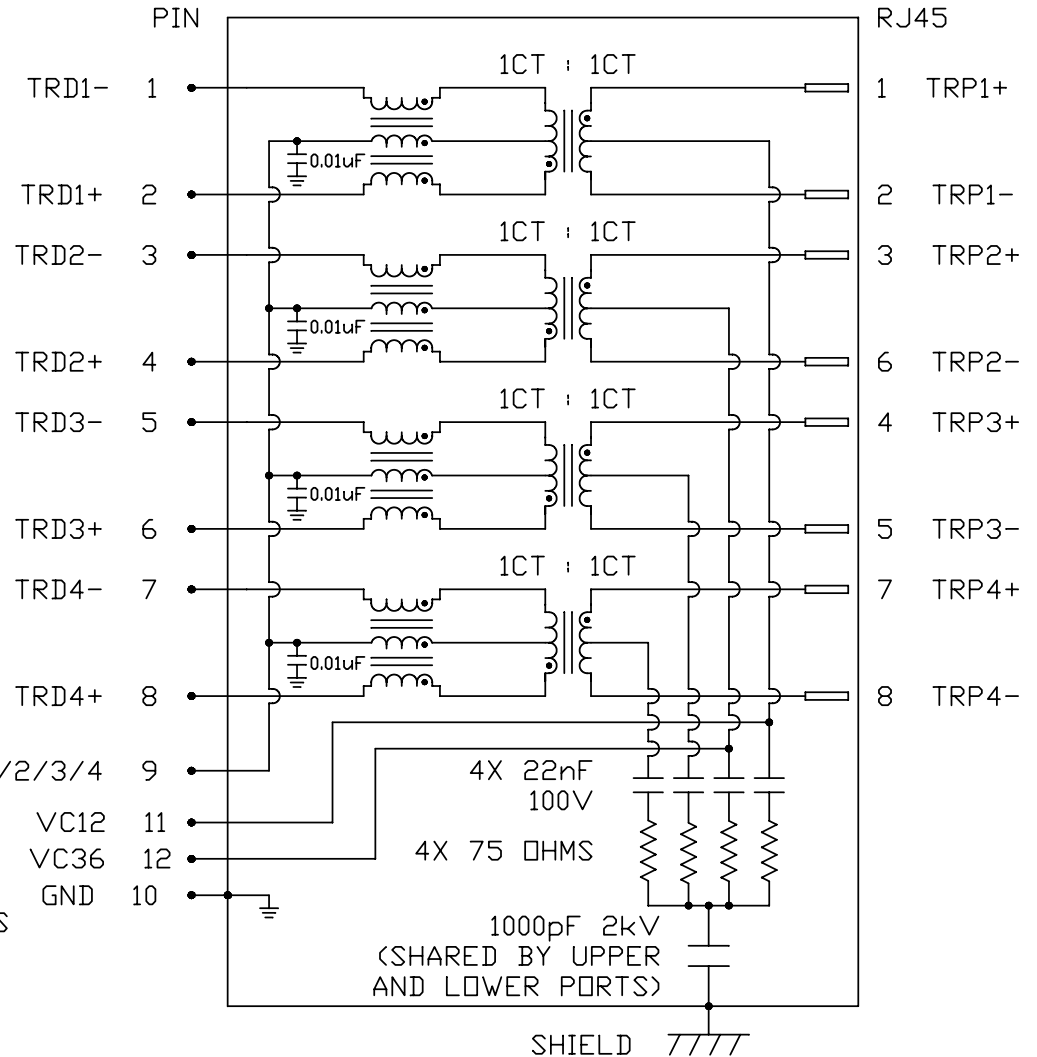
100kHz - 100MHz -35 dB MIN

HIPOT (Isolation Voltage): 2250 VDC

100% OF PRODUCTION TESTED TO COMPLY WITH IEEE 802.3 ISOLATION REQUIREMENTS.

BALANCED DC LINE CURRENT 720mA MAX. @ 57 VDC CONTINUOUS  
1.2A MAX. @ 57 VDC FOR 200 MILLSECONDS

SCHEMATIC



<b>ORIGINATED BY</b> CHOW WANGCHUNG	<b>DATE</b> 12-01-09
<b>DRAWN BY</b> LEE WEIDE	<b>DATE</b> 12-01-09

<b>TITLE</b> 2X4 gigabit MagJack® PoEp 0854-2X4R-AH-F PATENTED
----------------------------------------------------------------------------

<b>PART NO. / DRAWING NO.</b> 08542X4RAH-F
<b>FILE NAME</b> 08542X4RAH-F_A.DWG

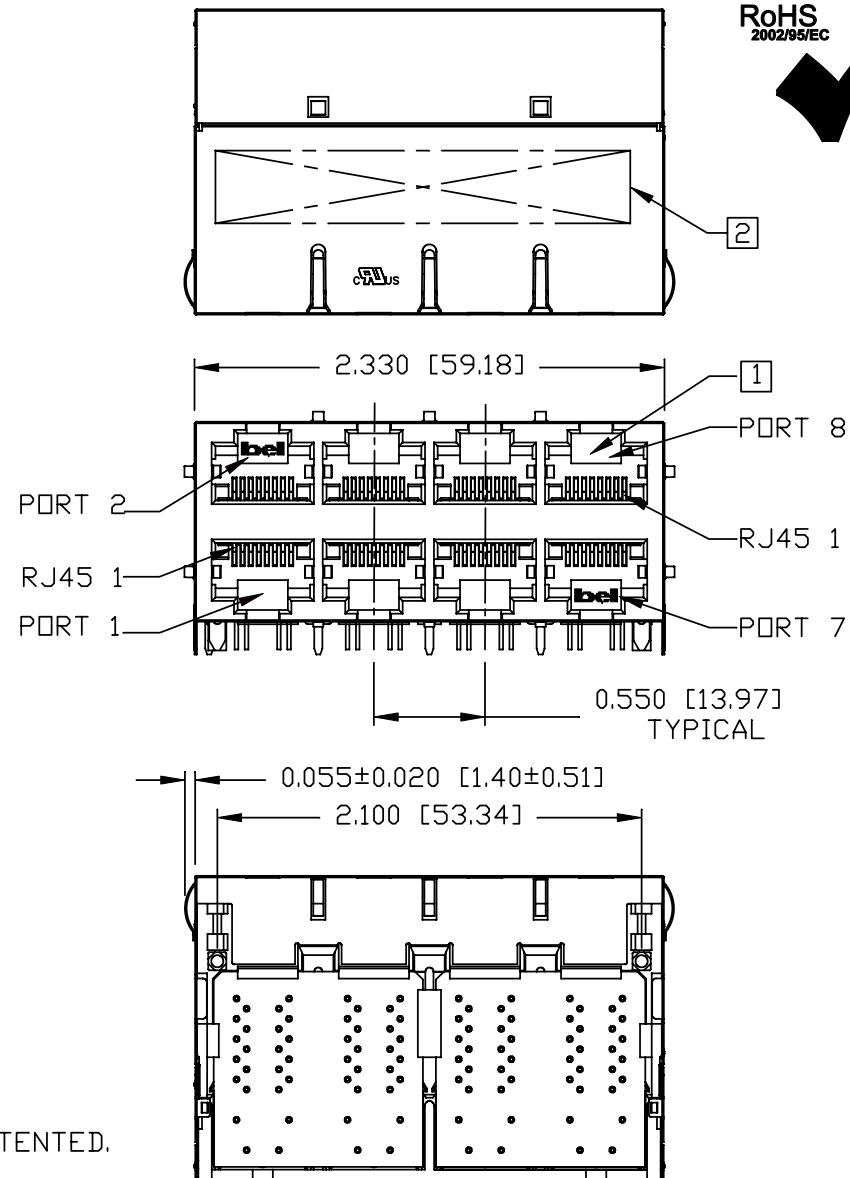
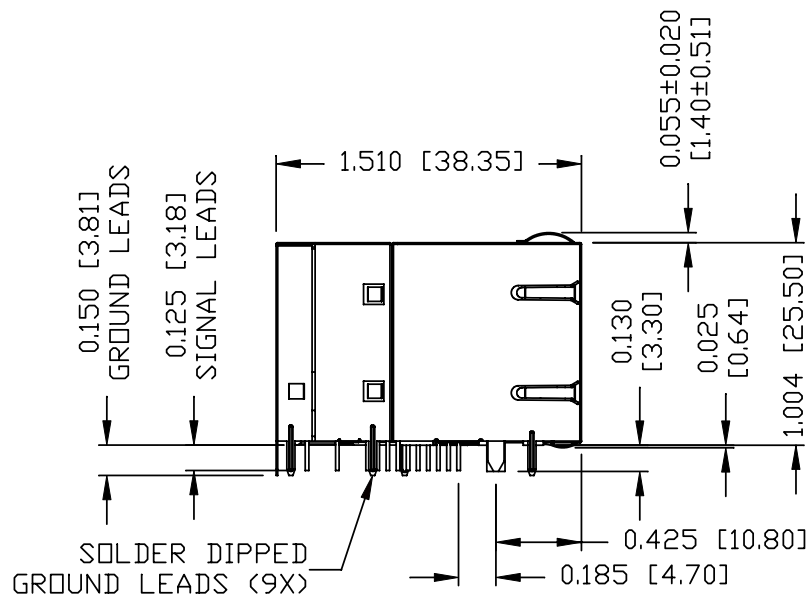
<b>STANDARD DIM. TOL. IN INCH</b>	
.X	
.XX	
.XXX	

<b>[ ] METRIC DIM. AS REFERENCE</b>	
UNIT : INCH [mm]	REV. : A
SCALE : N/A	SIZE : A4
PAGE : 2	



THE INFORMATION CONTAINED HEREIN IS CONSIDERED "PROPRIETARY" TO BEL FUSE INC. AND SHALL NOT BE COPIED, REPRODUCED OR DISCLOSED WITHOUT THE WRITTEN APPROVAL OF BEL FUSE INC.

RoHS  
2002/95/EC



NOTES:

- PLASTIC HOUSING: THERMOPLASTIC PBT  
FLAMMABILITY RATING UL 94V-0
- CONTACT PLATING: 50 MICRO-INCH HARD GOLD PLATING
- OUTPUT PINS: TIN-COATED COPPER WIRE, DIA 0.018 INCH.
- METAL SHIELD: NICKEL PLATED ON COPPER ALLOY.
- (ALL GROUND LEADS ARE SOLDER DIPPED)

1 JACK CAVITY CONFORMS TO FCC RULES AND REGULATIONS, PART 68 SUBPART F.

2. RoHS COMPLIANT, PER EU DIRECTIVE 2002/95/EC

3. THE PRODUCT IS PATENTED, THE PATENT NUMBER IS U.S. PAT. 5,736,910.

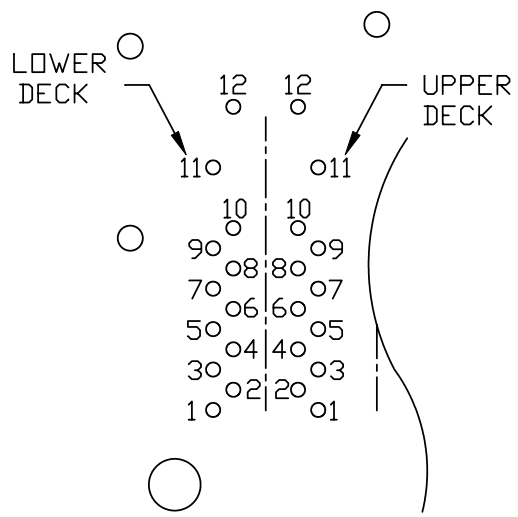
4. THE PRODUCT IS PATENTED, THE PATENT NUMBER IS U.S. PAT. 5,736,910.

5. RoHS COMPLIANT, PER EU DIRECTIVE 2002/95/EC

ORIGINATED BY LIU QIN	DATE 12-01-09	TITLE 2X4 gigabit MagJack® PoEp 0854-2X4R-AH-F PATENTED	PART NO. / DRAWING NO. 08542X4RAH-F	STANDARD DIM. TOL. IN INCH		[ ] METRIC DIM. AS REFERENCE		REV. : A	bel COMPONENTS FOR A CONNECTED PLANET
				FILE NAME 08542X4RAH-F_A.DWG	.X .XX .XXX	±0.010	UNIT : INCH [mm]		
DRAWN BY XIAN JIAXIN	DATE 12-01-09							PAGE : 3	

THE INFORMATION CONTAINED HEREIN IS CONSIDERED "PROPRIETARY" TO BEL FUSE INC. AND SHALL NOT BE COPIED, REPRODUCED OR DISCLOSED WITHOUT THE WRITTEN APPROVAL OF BEL FUSE INC.

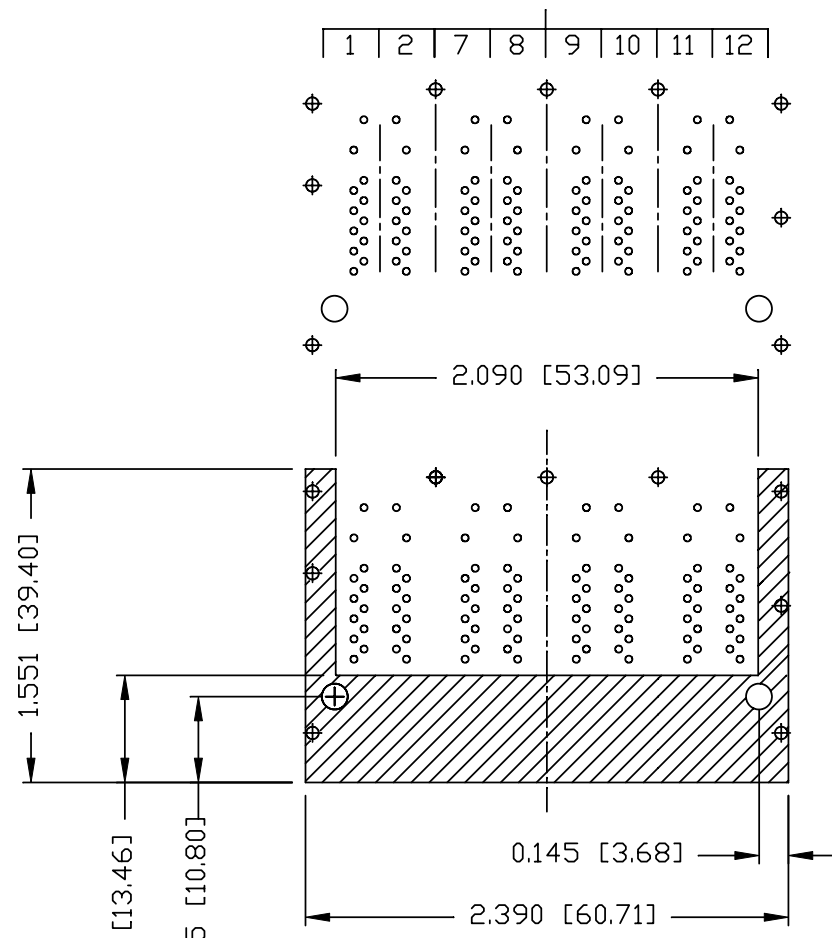
RoHS  
2002/95/EC



PIN-OUT INFORMATION  
(COMPONENT SIDE VIEW)

12	VC36
11	VC12
10	GND
9	TRDCT1/2/3/4
8	TRD 4+
7	TRD 4-
6	TRD 3+
5	TRD 3-
4	TRD 2+
3	TRD 2-
2	TRD 1+
1	TRD 1-

PORT ASSIGNMENT  
(COMPONENT SIDE VIEW)

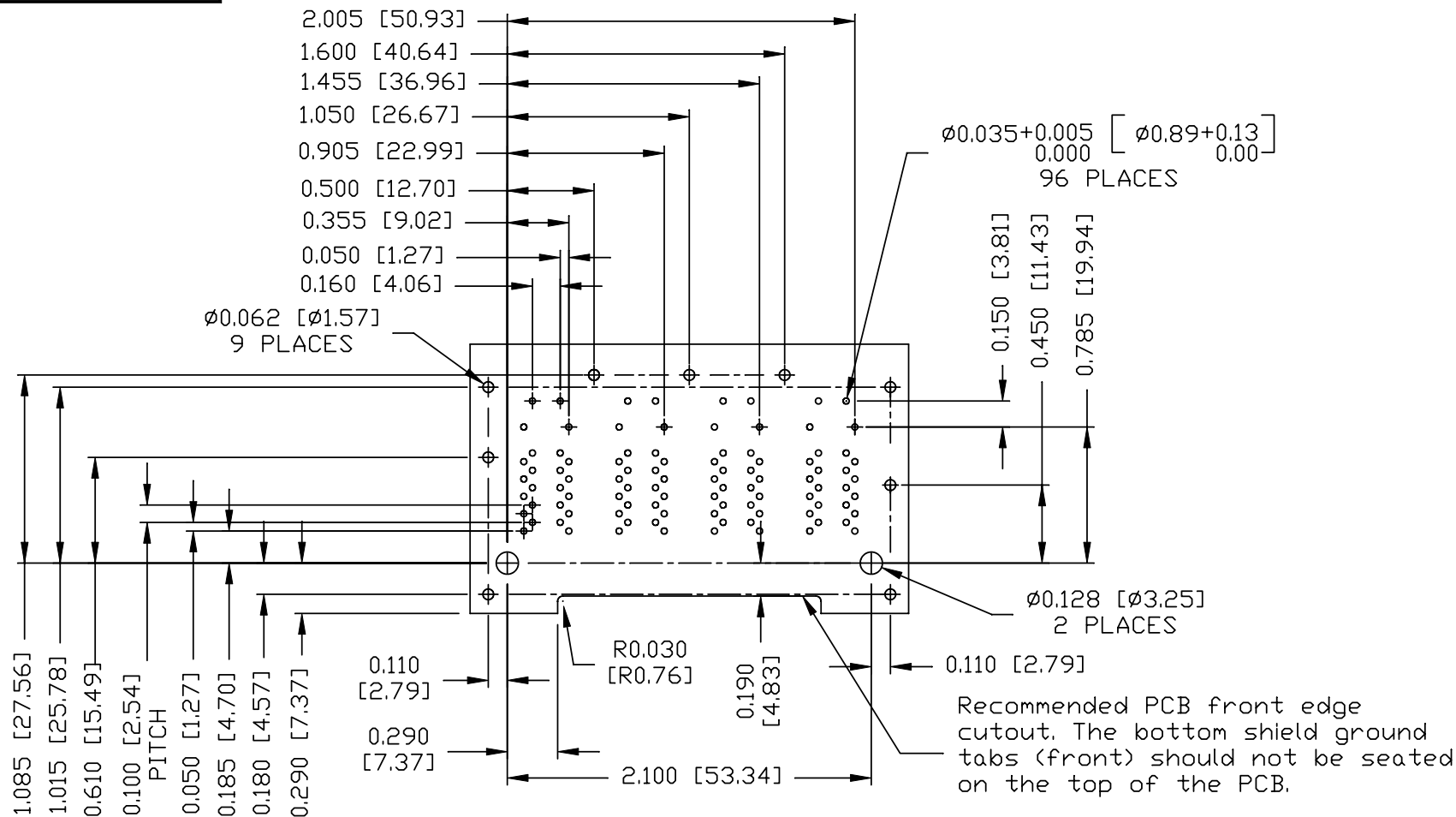


THE SHADED AREA ON THE CUSTOMER BOARD ARE RECOMMENDED TO BE CLEAR OFF ANY VIA HOLE OR COMPONENT PAD.

ORIGINATED BY LIU QIN	DATE 12-01-09	TITLE 2X4 gigabit MagJack® PoEp 0854-2X4R-AH-F PATENTED	PART NO. / DRAWING NO. 08542X4RAH-F	STANDARD DIM. TOL. IN INCH		[ ] METRIC DIM. AS REFERENCE		REV. : A	bel
				FILE NAME 08542X4RAH-F_A.DWG	.X .XX .XXX	±0.004	UNIT : INCH [mm]		
DRAWN BY XIAN JIAXIN	DATE 12-01-09							PAGE : 4	COMPONENTS FOR A CONNECTED PLANET

THE INFORMATION CONTAINED HEREIN IS CONSIDERED  
 "PROPRIETARY" TO BEL FUSE INC. AND SHALL NOT BE  
 COPIED, REPRODUCED OR DISCLOSED WITHOUT THE  
 WRITTEN APPROVAL OF BEL FUSE INC.

RoHS  
 2002/95/EC



SUGGESTED FOOTPRINT  
 (COMPONENT SIDE VIEW)

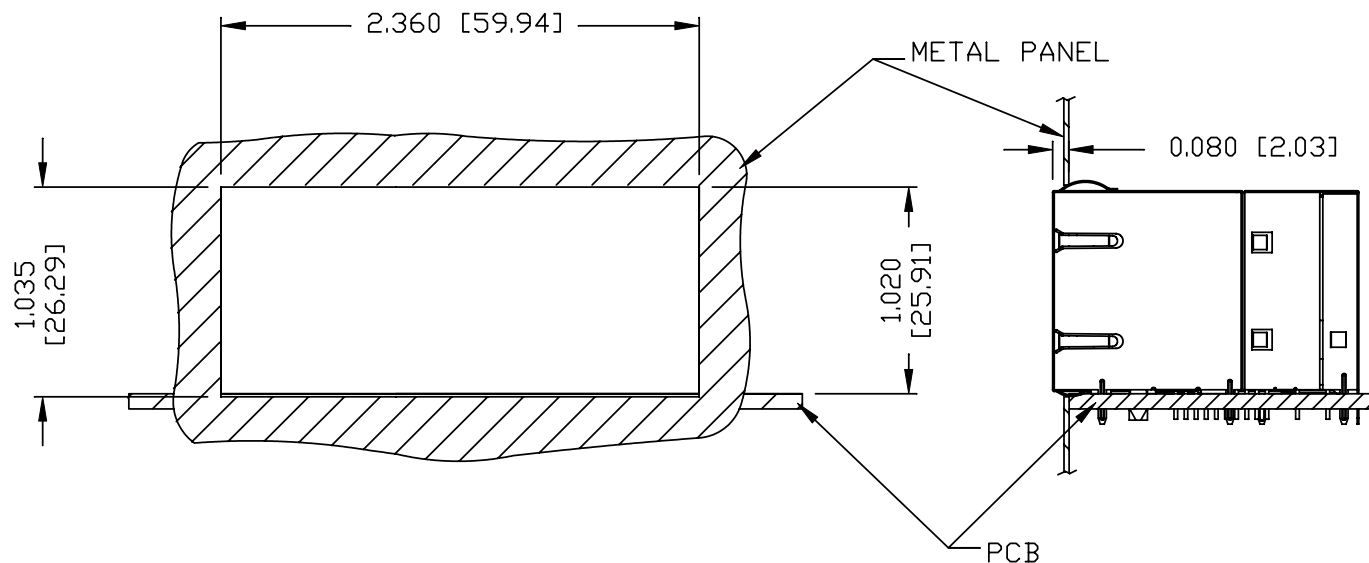
ORIGINATED BY LIU QIN	DATE 12-01-09	TITLE 2X4 gigabit MagJack® PoEp 0854-2X4R-AH-F PATENTED	PART NO. / DRAWING NO. 08542X4RAH-F	STANDARD DIM. TOL. IN INCH		[ ] METRIC DIM. AS REFERENCE		
				.X		UNIT : INCH [mm]	REV. : A	
DRAWN BY XIAN JIAXIN	DATE 12-01-09		FILE NAME 08542X4RAH-F_A.DWG	.XX		SCALE : N/A	SIZE : A4	
				.XXX	±0.004		PAGE : 5	

THE INFORMATION CONTAINED HEREIN IS CONSIDERED "PROPRIETARY" TO BEL FUSE INC. AND SHALL NOT BE COPIED, REPRODUCED OR DISCLOSED WITHOUT THE WRITTEN APPROVAL OF BEL FUSE INC.

RoHS  
2002/95/EC



SUGGESTED PANEL OPENING



NOTE:

THE DISTANCE OF PANEL INSIDE SURFACE RELATIVE TO FRONT SURFACE OF PART IS ONLY A SUGGESTION. IN CASE THIS DISTANCE IS DIFFERENT, THE REQUIRED PANEL OPENING DIMENSIONS CHANGE ACCORDINGLY.

PACKING INFORMATION

PACKING TRAY : 0200-9999-G2 (TOP)

0200-9999-G3 (BOTTOM)

PACKING QUANTITY : 20 PCS FINISHED GOODS PER TRAY.

5 TRAYS (100 PCS FINISHED GOODS) PER CARTON BOX.

NOTE : CARDBOARDS ARE PLACED BETWEEN LAYERS OF PACKING TRAY INSIDE CARTON BOX.

<INCLUDE THE UPPERMOST AND LOWERMOST TRAY>

ORIGINATED BY LIU QIN	DATE 12-01-09	TITLE 2X4 gigabit MagJack® PoEp 0854-2X4R-AH-F PATENTED	PART NO. / DRAWING NO. 08542X4RAH-F	STANDARD DIM. TOL. IN INCH		[ ] METRIC DIM. AS REFERENCE		bel
				.X		UNIT : INCH [mm]	REV. : A	
DRAWN BY XIAN JIAXIN	DATE 12-01-09		FILE NAME 08542X4RAH-F_A.DWG	.XX		SCALE : N/A	SIZE : A4	COMPONENTS FOR A CONNECTED PLANET
				.XXX	±0.004		PAGE : 6	