

TERMINATIONS, FEEDTHRU

SMA, DC - 1 GHz, 2 Watts

SPECIFICATIONS:

Models: 3008, 3008H

RoHS
Compliant

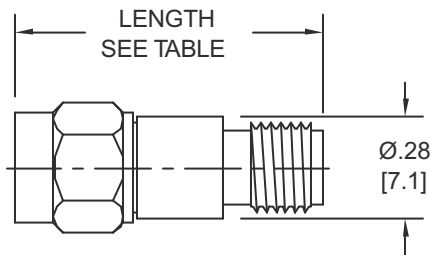
AEROFLEX
A passion for performance.

Electrical:

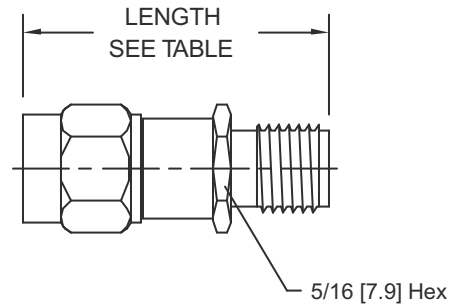
Frequency Range _____ DC - 1 GHz
 VSWR _____ 1.25:1 Max.
 Input Power _____ 2 Watts Avg. @ 25°C
Derated Linearly to 0.5 Watts @ +125°C
 Impedance _____ 50 Ohms
 Operating Temp Range _____ -65°C to +125°C

Mechanical:

SMA Connectors _____ Passivated Stainless Steel
Mates with MIL-STD-348
 Conductors _____ Gold Plated Beryllium Copper



NO HEX STYLE
Model Shown **3008**



HEX STYLE
Model Shown **3008H**

Base Model Number	Body Style	Connector Configuration	Length	
			Inches	Millimeters
3008	No-Hex	Male/Female	.99 ±.03	[25.1 ±0.8]
3008H	Hex			

Note: Dimensions in Brackets are Expressed in Millimeters and are for Reference Only.
 Design, specifications are subject to change without notice. Contact factory for technical specifications before purchasing or use.

3008: REV F (M)

AEROFLEX
INMET

Aeroflex / Inmet, Inc. 300 Dino Drive, Ann Arbor, MI 48103 • U.S.A.
 888-244-6638 or 734-426-5553 • FAX: 734-426-5557
www.aeroflex-inmet.com • inmet-sales@eroflex.com