

THE INFORMATION CONTAINED HEREIN IS CONSIDERED "PROPRIETARY" TO BEL FUSE INC. AND SHALL NOT BE COPIED, REPRODUCED OR DISCLOSED WITHOUT THE WRITTEN APPROVAL OF BEL FUSE INC.

LED1 POLARITY			LED2 POLARITY		
PIN 27	PIN 28	COLOR	PIN 29	PIN 30	COLOR
-	+	GREEN	+	-	YELLOW
/	/	/	-	+	GREEN

PRELIMINARY



**ELECTRICAL CHARACTERISTICS @ 25°C**

**TURNS RATIO**

TP1	1CT : 1CT ±2%
TP2	1CT : 1CT ±2%
TP3	1CT : 1CT ±2%
TP4	1CT : 1CT ±2%

OCL @ 100kHz,100mVRMS  
8mA DC BIAS

INS. LOSS  
100KHz TO 100MHZ -1.1 dB MAX

RET. LOSS (MIN)  
1MHz-30MHz -18 dB  
30MHz-60MHz -16 dB  
60MHz-80MHz -14 dB  
80MHz-100MHz -12 dB

CM TO CM REJ  
100kHz - 100MHz -25 dB TYP

CROSS TALK  
1MHz - 60MHz -35 dB TYP  
60MHz - 100MHz -25 dB TYP

HIPOT (Isolation Voltage):  
100% OF PRODUCTION TESTED TO COMPLY WITH IEEE 802.3 ISOLATION REQUIREMENTS.

LEAKAGE INDUCTANCE

PRIMARY W/ SECONDARY SHORTED INTERWINDING CAPACITANCE  
0.3uH Max. @ 1MHz

PER CHANNEL (PRI. TO SEC.)  
50pF Max @ 1MHz

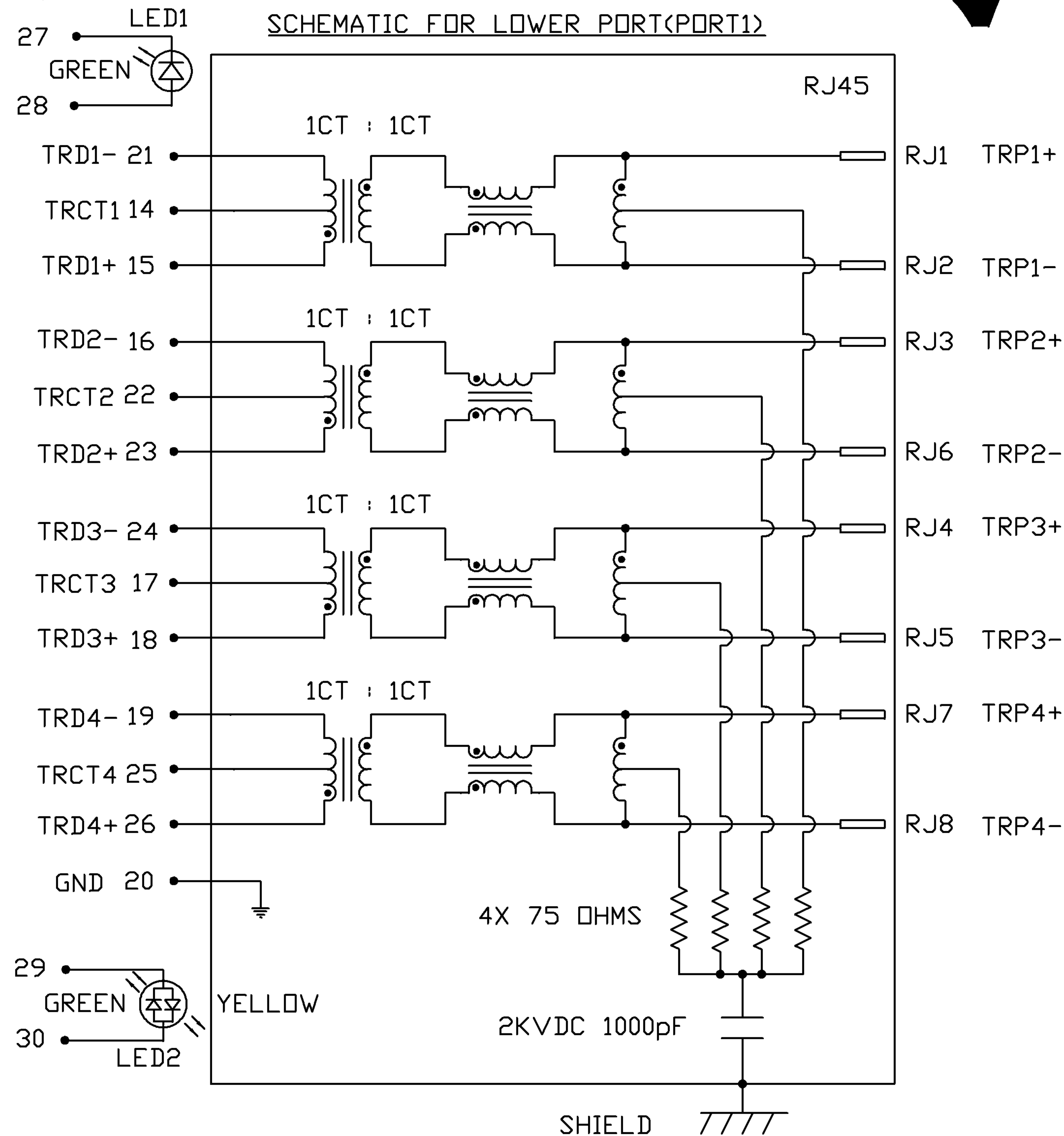
DC RESISTANCE  
(21-15)=(16-23)=(24-18)=(19-26) 1.2 ohms Max

(RJ1-RJ2)=(RJ3-RJ6)=(RJ4-RJ5)=(RJ7-RJ8) 1.2 ohms Max

OPERATING TEMPERATURE:  
-40 TO +85°C

LED 1  
VF (FORWARD VOLTAGE) IF=20mA GREEN 2.2V TYP.  
λD (DOMINANT WAVELENGTH) IF=20mA GREEN 565nm TYP.

LED 2  
VF (FORWARD VOLTAGE) IF=20mA GREEN 2.2V TYP.  
λD (DOMINANT WAVELENGTH) IF=20mA YELLOW 2.1V TYP.  
IF=20mA GREEN 565nm TYP.  
IF=20mA YELLOW 590nm TYP.



ORIGINATED BY CHOW WANGCHUNG	DATE 11-06-08	TITLE 2X1 gigabit MagJack® (with LED) (Extend Temperature)	PART NO. / DRAWING NO. 0845-2R1T-FD	STANDARD DIM. TOL. IN INCH .X .XX .XXX	[ ] METRIC DIM. AS REFERENCE UNIT : INCH [mm] SCALE : N/A	REV. : PB SIZE : A4 PAGE : 2	<p>COMPONENTS FOR A CONNECTED PLANET™</p>
DRAWN BY LI YONGFENG	DATE 11-06-08	FILE NAME 0845-2R1T-FD_PB.DWG					

THE INFORMATION CONTAINED HEREIN IS CONSIDERED "PROPRIETARY" TO BEL FUSE INC. AND SHALL NOT BE COPIED, REPRODUCED OR DISCLOSED WITHOUT THE WRITTEN APPROVAL OF BEL FUSE INC.

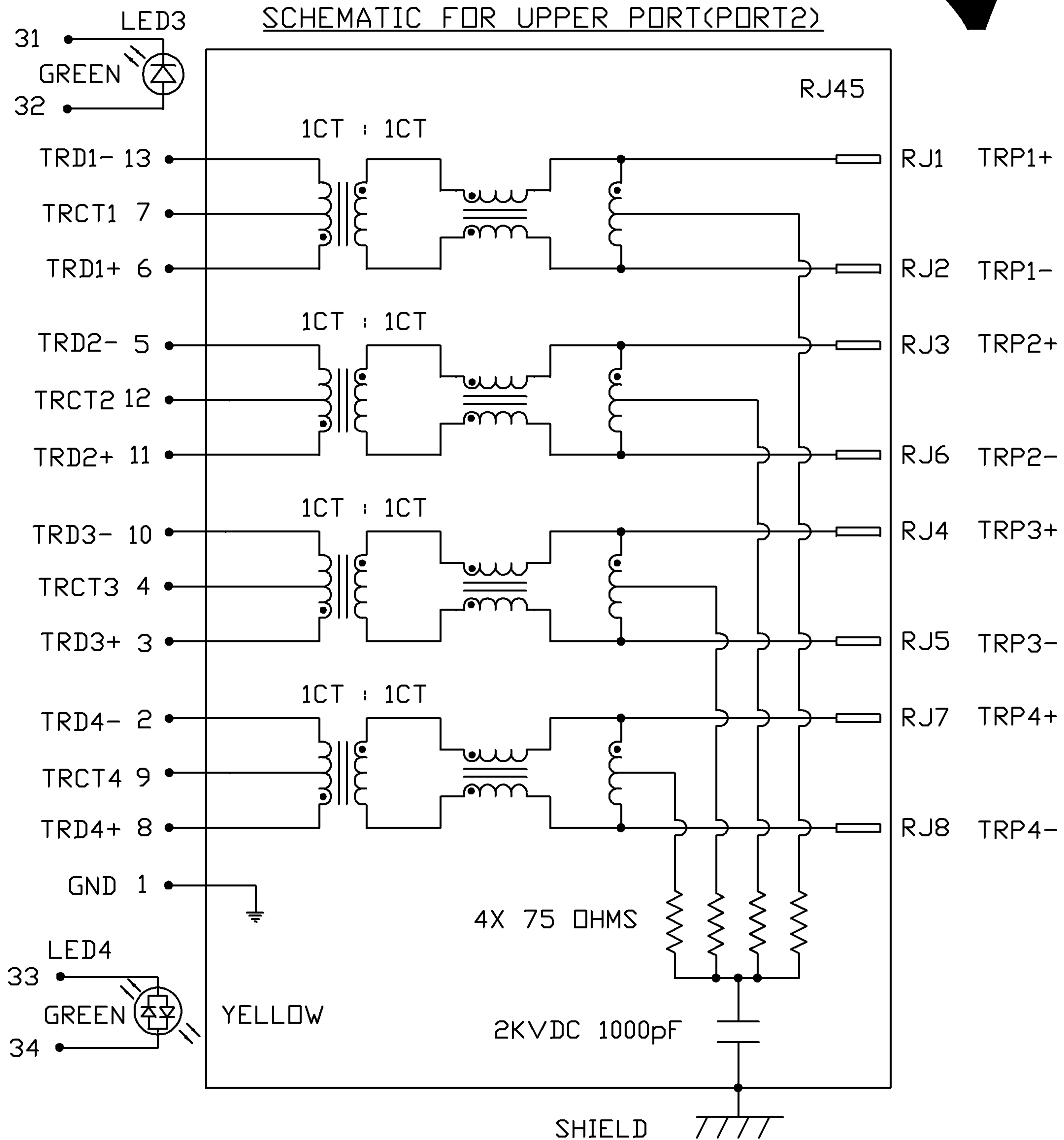
LED3 POLARITY			LED4 POLARITY		
PIN 31	PIN 32	COLOR	PIN 33	PIN 34	COLOR
-	+	GREEN	+	-	YELLOW
/	/	/	-	+	GREEN

PRELIMINARY



**ELECTRICAL CHARACTERISTICS @ 25°C**

<p> <b>URNS RATIO</b>            TP1            TP2            TP3            TP4  <b>OC @ 100kHz,100mVRMS</b>            8mA DC BIAS  <b>INS. LOSS</b>            100KHz TO 100MHz  <b>RET. LOSS (MIN)</b>            1MHz-30MHz            30MHz-60MHz            60MHz-80MHz            80MHz-100MHz  <b>CM TO CM REJ</b>            100kHz - 100MHz  <b>CROSS TALK</b>            1MHz - 60MHz            60MHz - 100MHz  <b>HIPOT (Isolation Voltage):</b>            100% OF PRODUCTION TESTED TO COMPLY WITH IEEE 802.3 ISOLATION REQUIREMENTS.  <b>LEAKAGE INDUCTANCE</b>            PRIMARY W/ SECONDARY SHORTED            INTERWINDING CAPACITANCE            PER CHANNEL (PRI. TO SEC.)  <b>DC RESISTANCE</b>            (13-6)=(5-11)=(10-3)=(2-8)            (RJ1-RJ2)=(RJ3-RJ6)=(RJ4-RJ5)=(RJ7-RJ8)  <b>OPERATING TEMPERATURE:</b>            LED 3 (Super bright)            VF (FORWARD VOLTAGE)            λD (DOMINANT WAVELENGTH)            LED 4 (Super bright)            VF (FORWARD VOLTAGE)            λD (DOMINANT WAVELENGTH)         </p>	<p>           1CT : 1CT ±2%            1CT : 1CT ±2%            1CT : 1CT ±2%            1CT : 1CT ±2%            350 uH MIN.            -1.1 dB MAX            -18 dB            -16 dB            -14 dB            -12 dB            -25 dB TYP            -35 dB TYP            -25 dB TYP            1500 Vrms            0.3uH Max. @ 1MHz            50pF Max @ 1MHz            1.2 ohms Max            1.2 ohms Max            -40 TO +85°C            IF=20mA GREEN 2.2V TYP.            IF=20mA GREEN 565nm TYP.            IF=20mA GREEN 2.2V TYP.            YELLOW 2.1V TYP.            IF=20mA GREEN 565nm TYP.            YELLOW 590nm TYP.         </p>
--	---



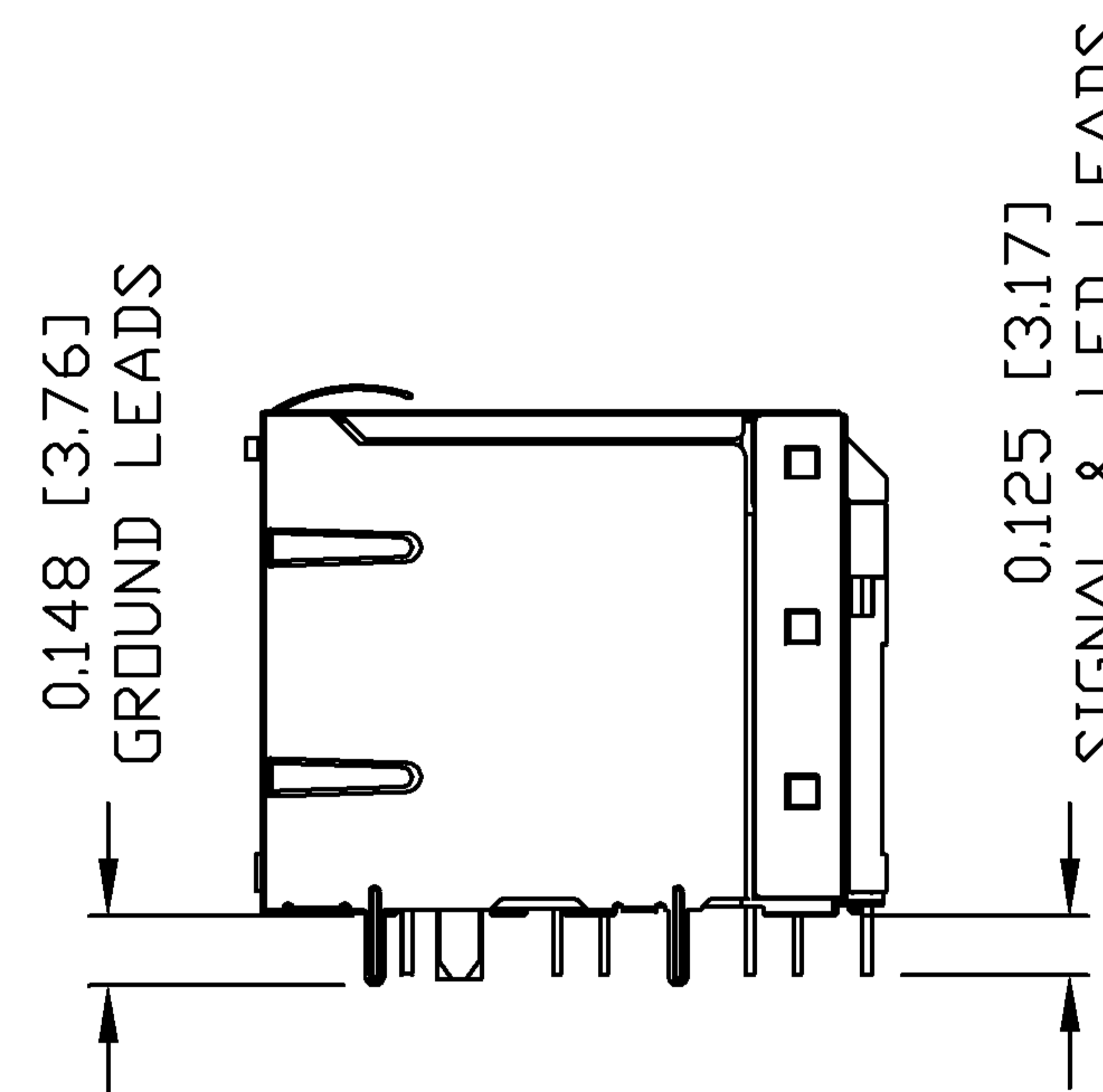
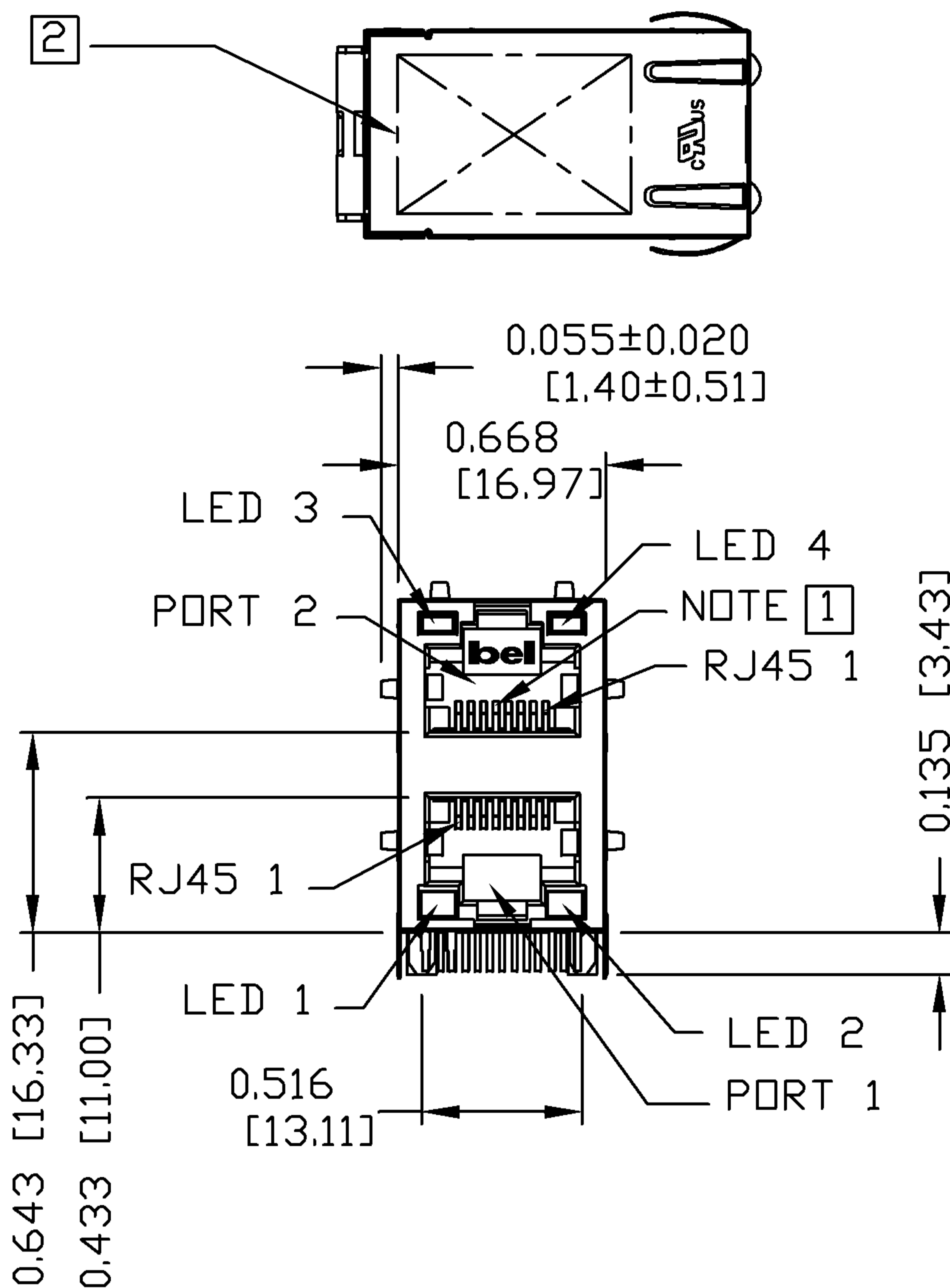
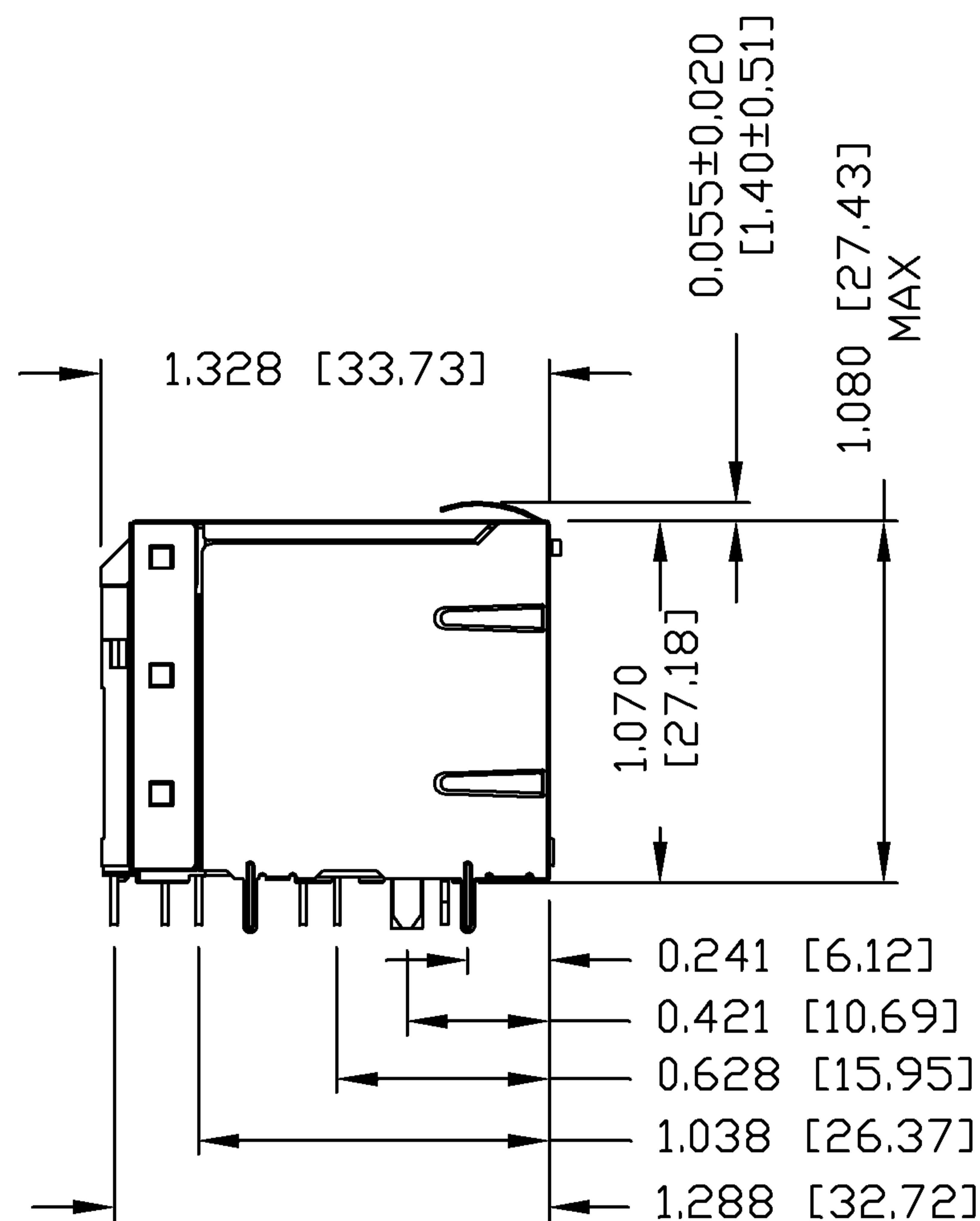
<b>ORIGINATED BY</b> CHOW WANGCHUNG	<b>DATE</b> 11-06-08	<b>TITLE</b> 2X1 gigabit MagJack® (with LED) (Extend Temperature)	<b>PART NO. / DRAWING NO.</b> 0845-2R1T-FD	<b>STANDARD DIM. TOL. IN INCH</b>	<b>[ ] METRIC DIM. AS REFERENCE</b>		
<b>DRAWN BY</b> LI YONGFENG	<b>DATE</b> 11-06-08		<b>FILE NAME</b> 0845-2R1T-FD_PB.DWG	.X .XX .XXX	UNIT : INCH [mm] SCALE : N/A		REV. : PB SIZE : A4 PAGE : 3

THE INFORMATION CONTAINED HEREIN IS CONSIDERED "PROPRIETARY" TO BEL FUSE INC. AND SHALL NOT BE COPIED, REPRODUCED OR DISCLOSED WITHOUT THE WRITTEN APPROVAL OF BEL FUSE INC.

RoHS  
2002/95/EC



PRELIMINARY



NOTES:

PLASTIC HOUSING: THERMOPLASTIC PBT  
 FLAMMABILITY RATING UL 94V-0  
 CONTACT PLATING: 50 MICRO-INCH HARD GOLD PLATING  
 OUTPUT PINS: TIN-COATED COPPER WIRE, DIA 0.018 INCH.  
 METAL SHIELD: NICKEL PLATED ON COPPER ALLOY.  
 (ALL GROUND LEADS ARE SOLDER DIPPED)

RoHS COMPLIANCE, PER EU DIRECTIVE 2002/95/EC.

- 1. JACK CAVITY CONFORMS TO FCC RULES AND REGULATIONS, PART 68 SUBPART F.
- 2. MARK PART WITH MFG LOGO, MFG NAME, PART NUMBER, AND DATE CODE.

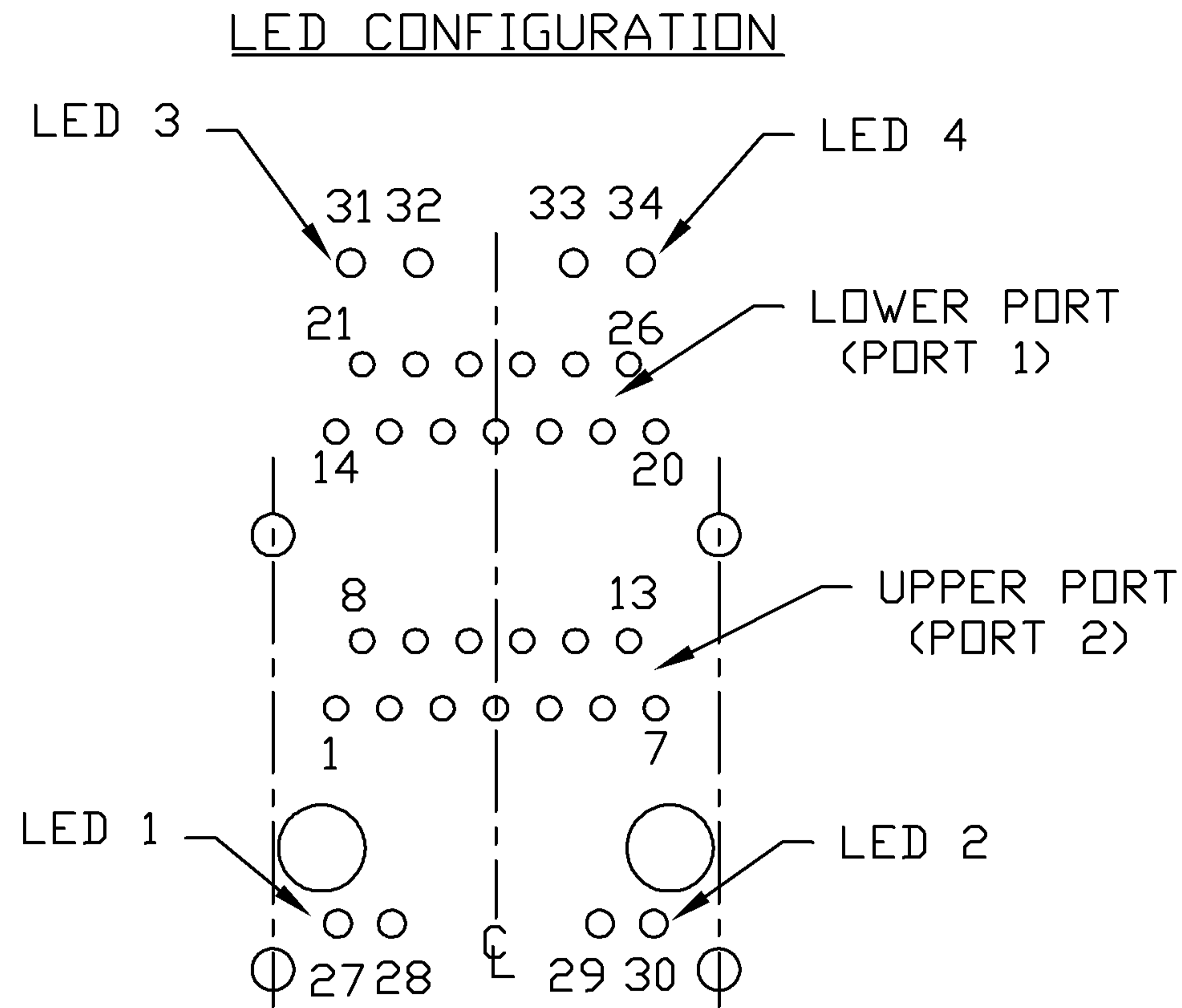
UL RECOGNIZED - FILE #E196366 AND E169987.

ORIGINATED BY CHEN BILL	DATE 11-06-08	TITLE 2X1 gigabit MagJack® (with LED) (Extend Temperature)	PART NO. / DRAWING NO. 0845-2R1T-FD	STANDARD DIM. TOL. IN INCH	[ ] METRIC DIM. AS REFERENCE		 COMPONENTS FOR A CONNECTED PLANET
DRAWN BY XIAN JIAXIN	DATE 11-06-08		FILE NAME 0845-2R1T-FD_PB.DWG	.X	UNIT : INCH [mm]	REV. : PB	
			.XX	SCALE : N/A	SIZE : A4		
			.XXX ±0.010		PAGE : 4		

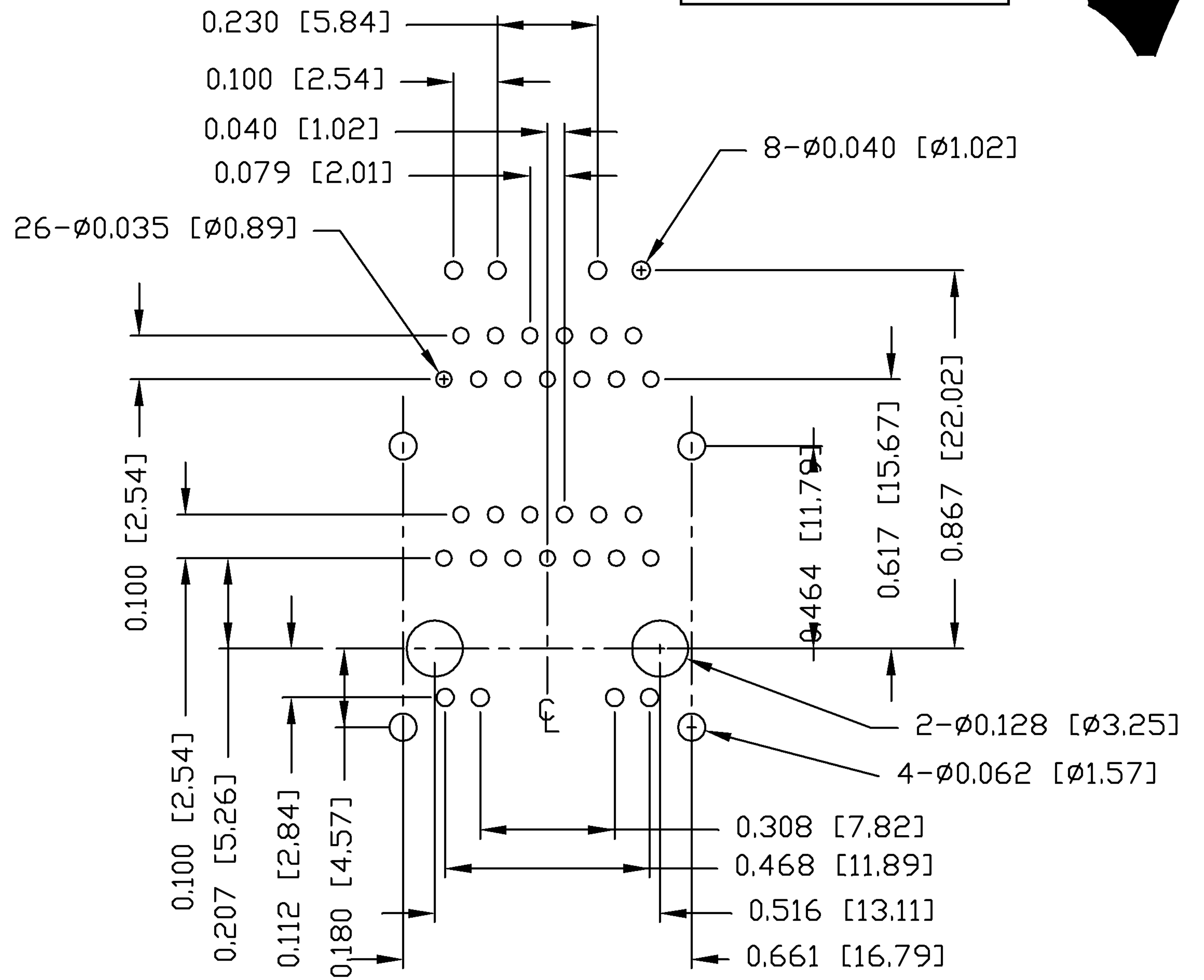
THE INFORMATION CONTAINED HEREIN IS CONSIDERED "PROPRIETARY" TO BEL FUSE INC. AND SHALL NOT BE COPIED, REPRODUCED OR DISCLOSED WITHOUT THE WRITTEN APPROVAL OF BEL FUSE INC.

RoHS  
2002/95/EC

PRELIMINARY



PIN-OUT INFORMATION  
(COMPONENT SIDE VIEW)  
(SCALE 2:1)



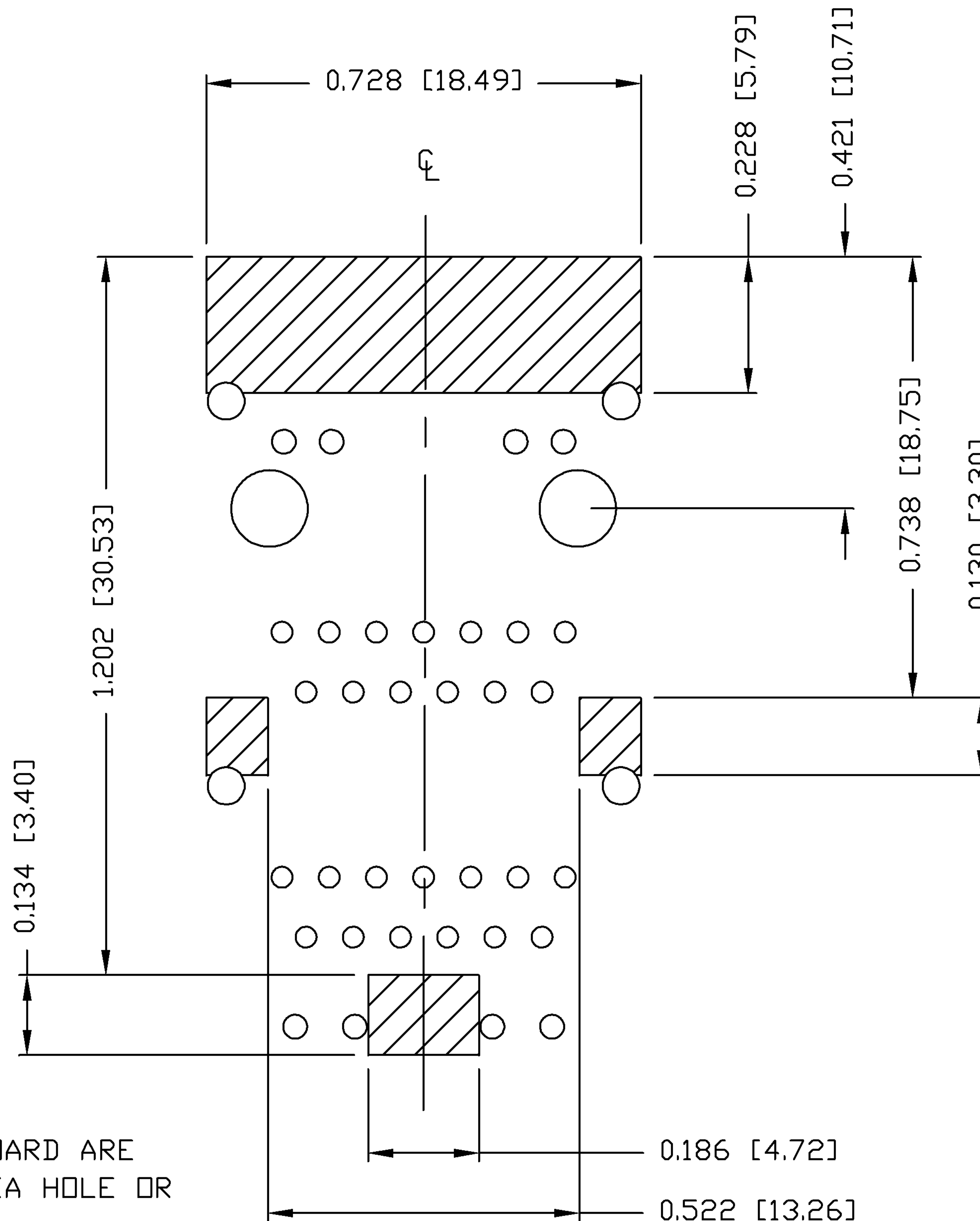
<b>ORIGINATED BY</b> CHEN BILL	<b>DATE</b> 11-06-08	<b>TITLE</b> 2X1 gigabit MagJack® (with LED) (Extend Temperature)	<b>PART NO. / DRAWING NO.</b> 0845-2R1T-FD	<b>STANDARD DIM. TOL. IN INCH</b>	<b>[ ] METRIC DIM. AS REFERENCE</b>	<b>bel</b> COMPONENTS FOR A CONNECTED PLANET
<b>DRAWN BY</b> XIAN JIAXIN	<b>DATE</b> 11-06-08		<b>FILE NAME</b> 0845-2R1T-FD_PB.DWG	.X .XX .XXX	±0.004	
REV. : PB						
SIZE : A4 PAGE : 5						

THE INFORMATION CONTAINED HEREIN IS CONSIDERED "PROPRIETARY" TO BEL FUSE INC. AND SHALL NOT BE COPIED, REPRODUCED OR DISCLOSED WITHOUT THE WRITTEN APPROVAL OF BEL FUSE INC.

RoHS  
2002/95/EC



PRELIMINARY



NOTES

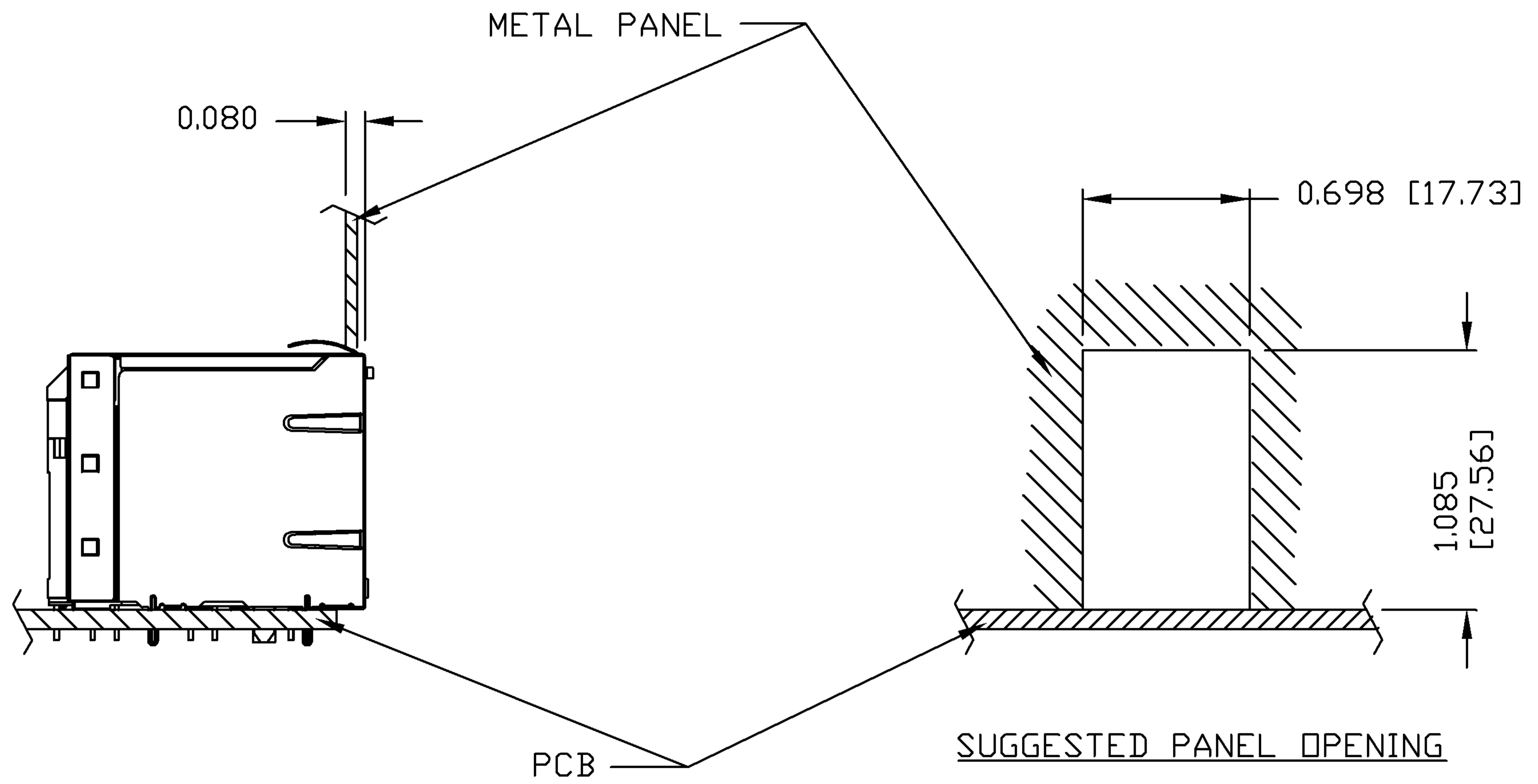
THE SHADED AREA ON THE CUSTOMER BOARD ARE RECOMMENDED TO BE CLEAR OFF ANY VIA HOLE OR COMPONENT PAD.

ORIGINATED BY CHEN BILL	DATE 11-06-08	TITLE 2X1 gigabit MagJack® (with LED) (Extend Temperature)	PART NO. / DRAWING NO. 0845-2R1T-FD	STANDARD DIM. TOL. IN INCH	[ ] METRIC DIM. AS REFERENCE
DRAWN BY XIAN JIAXIN	DATE 11-06-08		FILE NAME 0845-2R1T-FD_PB.DWG	.X .XX .XXX	UNIT : INCH [mm] SCALE : N/A ±0.004



THE INFORMATION CONTAINED HEREIN IS CONSIDERED "PROPRIETARY" TO BEL FUSE INC. AND SHALL NOT BE COPIED, REPRODUCED OR DISCLOSED WITHOUT THE WRITTEN APPROVAL OF BEL FUSE INC.

PRELIMINARY



**NOTE:**

THE DISTANCE OF PANEL INSIDE SURFACE RELATIVE TO FRONT SURFACE OF PART IS ONLY A SUGGESTION. IN CASE THIS DISTANCE IS DIFFERENT, THE REQUIRED PANEL OPENING DIMENSIONS CHANGE ACCORDINGLY.

PACKING INFORMATION

PACKING TRAY: 0200-9999-H5 (TOP)  
0200-9999-H6 (BOTTOM)

PACKING QUANTITY: 40 PCS FINISHED GOODS PER TRAY  
6 TRAYS (240 PCS FINISHED GOODS) PER CARTON BOX.

NOTE: CARDBOARD ARE PLACED BETWEEN LAYERS OF PACKING TRAY INSIDE CARTON BOX.  
(INCLUDE THE UPPERMOST AND LOWEREST TRAY)

ORIGINATED BY	DATE	TITLE	PART NO. / DRAWING NO.	STANDARD DIM.		[ ] METRIC DIM. AS REFERENCE		
CHEN BILL	11-06-08			0845-2R1T-FD	TOL. IN INCH	UNIT : INCH [mm]	REV. : PB	
DRAWN BY	DATE	(with LED) (Extend Temperature)	FILE NAME	.X	SCALE : N/A	SIZE : A4	PAGE : 7	
XIAN JIAXIN	11-06-08		0845-2R1T-FD_PB.DWG	.XX				.XXX
				±0.004				

